



BALCONY SYSTEMS

Lightweight | Durable | Low Maintenance

ALUMINUM DESIGN VS. TRADITIONAL STEEL

AS&D Aluminum
Balcony Systems Steel

Factory prefabrication and painted for faster installation ✓ ✗

Lightweight, easy-to-handle, and move on the job site ✓ ✗

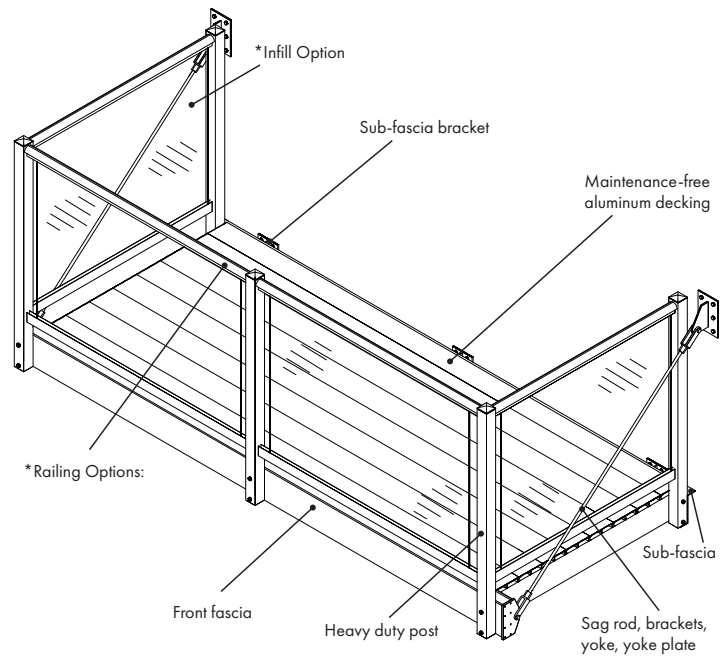
Uniform factory production ✓ ✗

Multiple cost saving delivery options:
• Extrusions ✓ ✗
• Knock-down
• Pre-assembled
• Pre-drilled holes

Choice of baked-on enamel or anodized finishes ✓ ✗

Can be modified and assembled on site using standard chop saw and drill ✓ ✗

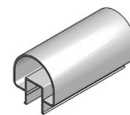
Virtually maintenance free, no rust, rot, swelling, splits or cracking ✓ ✗



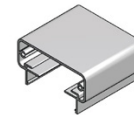
Units include: decking, railing, infill, mounting hardware.

*CHOOSE A TOP RAIL STYLE

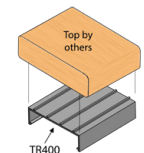
Round Top
TR100



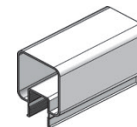
Flat Top
TR200



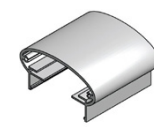
Add-A-Top
TR400



Square Top
TR600



Elliptical Top
TR999



*CHOOSE AN INFILL OPTION

Glass



Picket



Cable



Perforated/Mesh



Midrail Design

