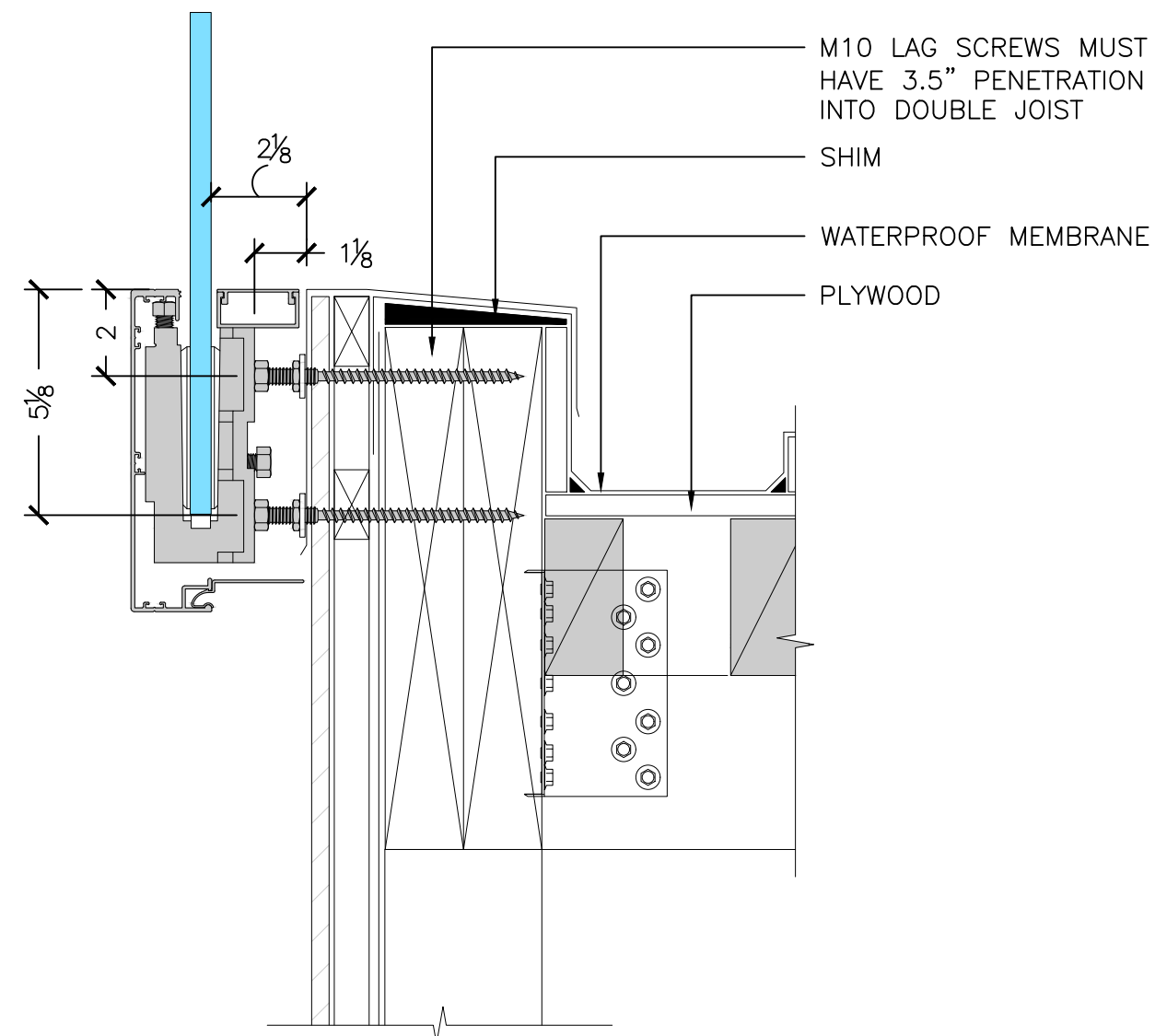
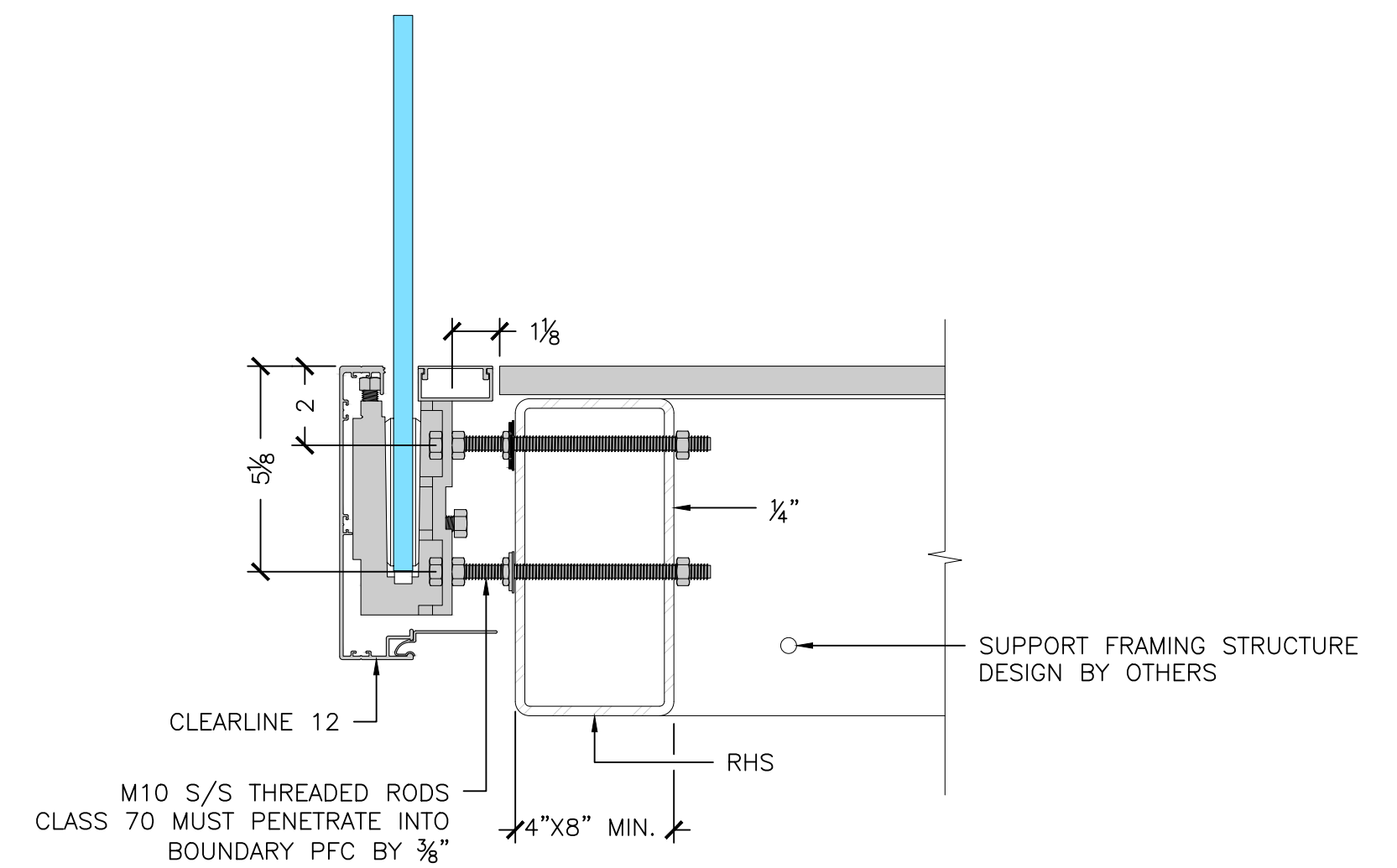


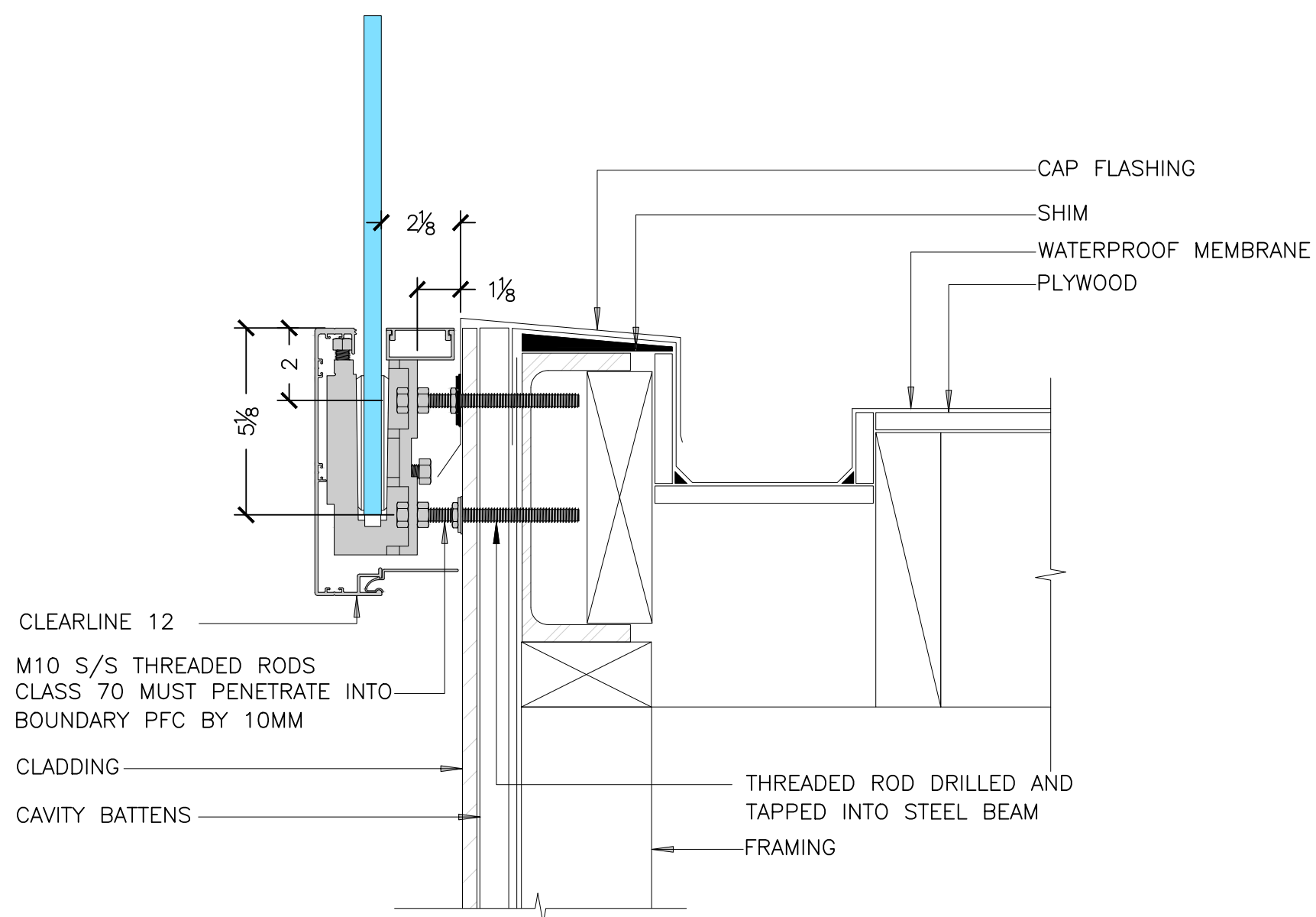
① ANCHORAGE TO CONCRETE
SCALE 3"=1'-0"



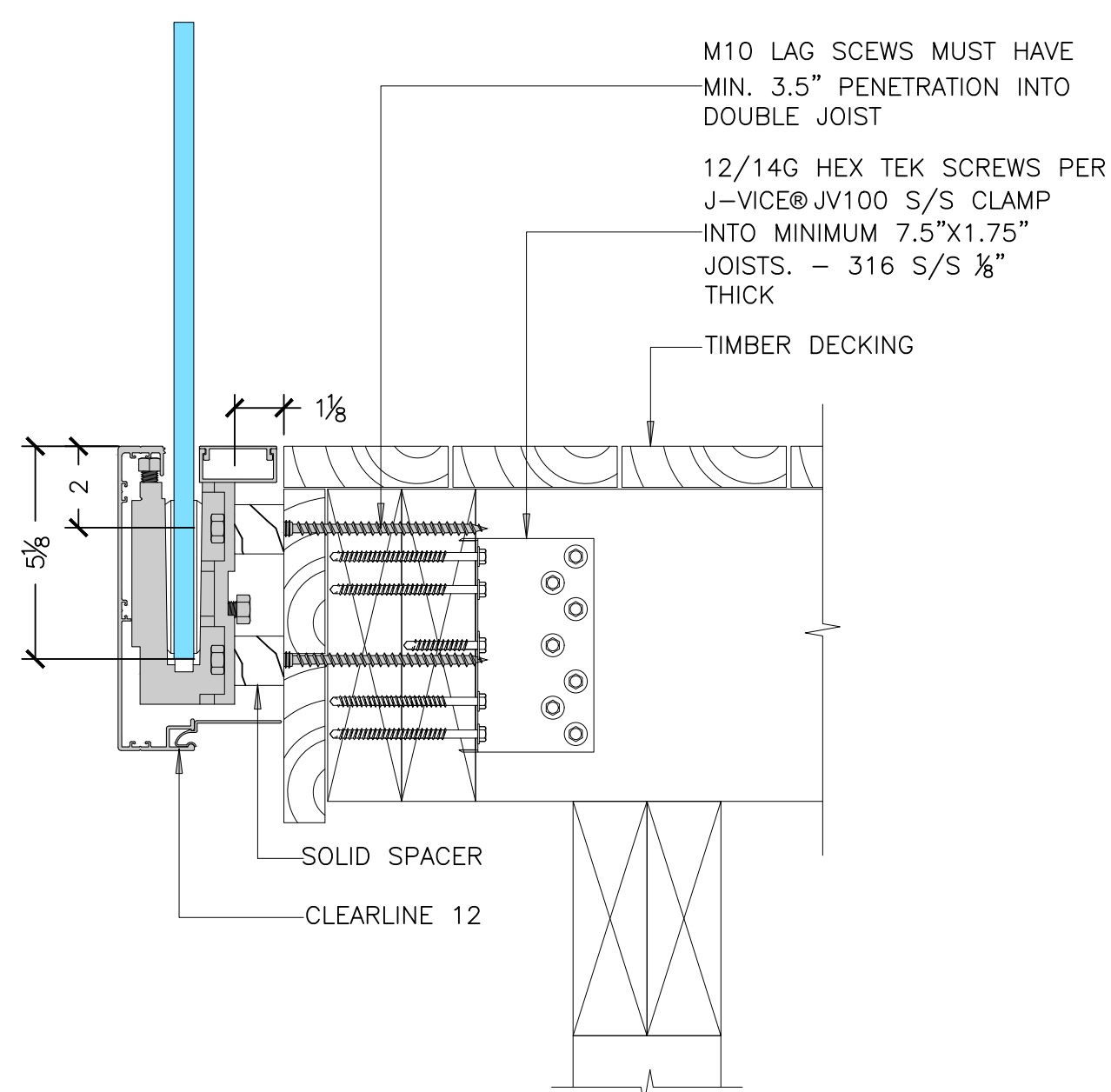
② ANCHORAGE TO WOOD
SCALE 3"=1'-0"



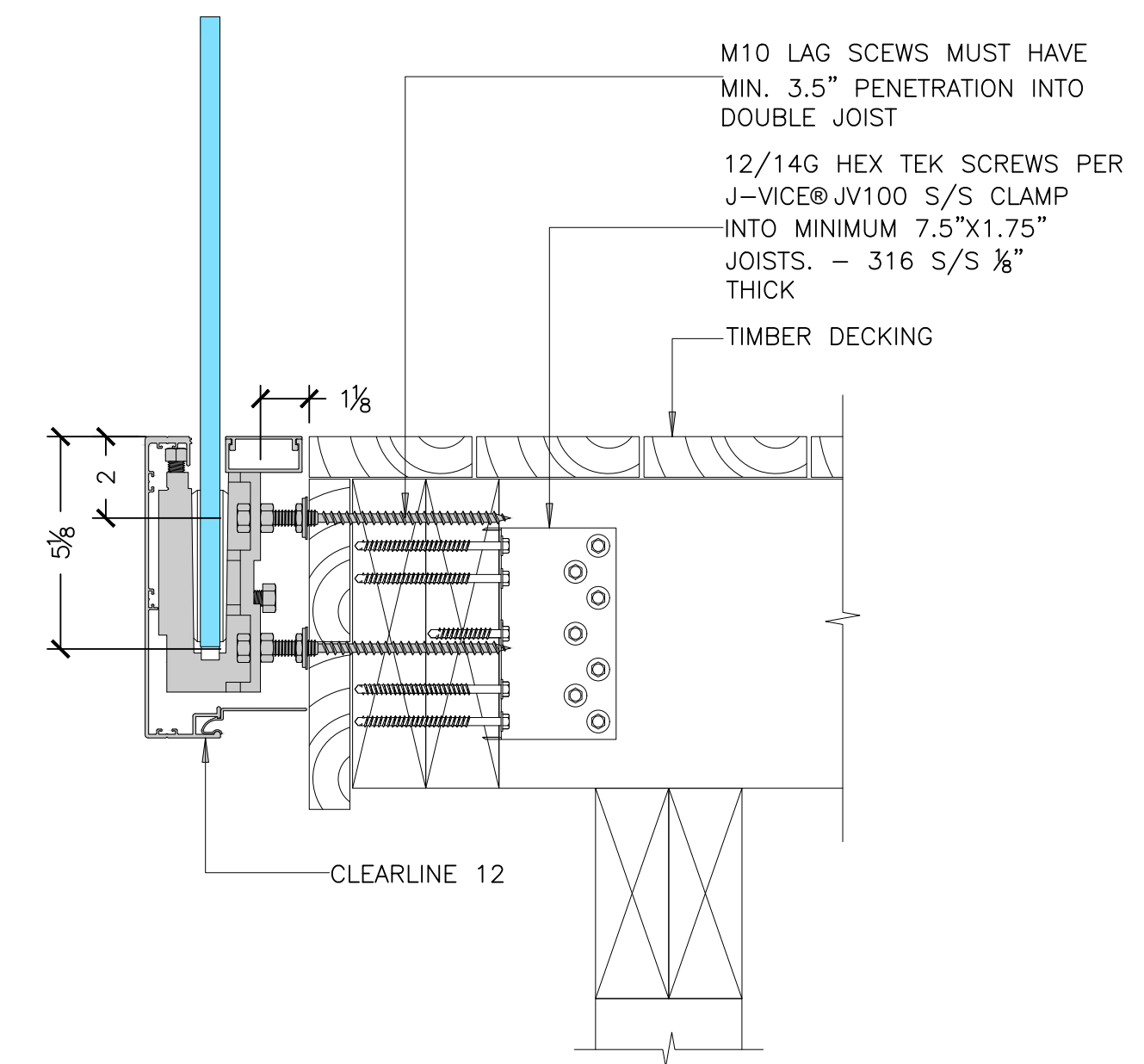
③ ANCHORAGE TO STEEL
SCALE 3"=1'-0"



④ ANCHORAGE TO STEEL
SCALE 3"=1'-0"



⑤ LAG SCREW WITH SPACER
SCALE 3"=1'-0"



AS&D
AMERICAN
 STRUCTURES & DESIGN
 AMERICAN STRUCTURES & DESIGN INC.
 1801 132ND AVE E STE 100, SUMNER, WA 98390
 PHONE: 253-833-4343 FAX # 253-833-4545
<http://americanstructures.com>

CLIENT NAME: XXXX	DRAWN BY:	REV NO.	DATE:	ISSUED BY
JOB NAME: XXXX	DATE: 06-16-2022	1		
BID ITEM:	CHECKED BY:	2		
	APPROVED BY:	3		
	SCALE:	4		

Note: © This document has been developed and created by AS&D. Information contained herein cannot be used unless specifically permitted in writing by AS&D