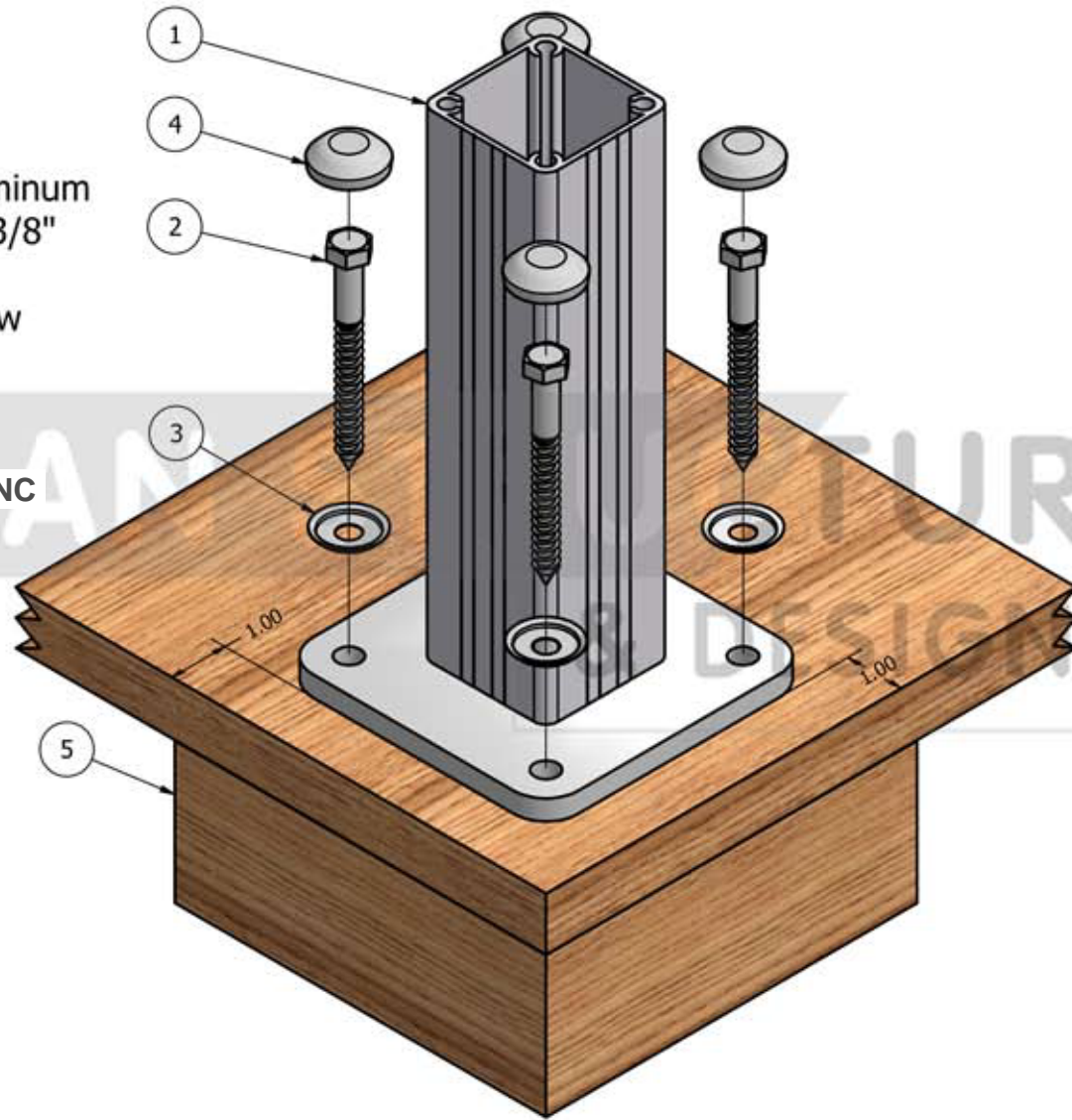


- 1 2-3/8" x 2-3/8" Aluminum Post with 5" x 5" x 3/8" Base Plate
- 2 Ø3/8" x 5" Lag Screw (Min. 3.5" Embed)
- 3 Washer - Bolt Head Cover RA-CW
- 4 Nylon Bolt Cap RA-NC Blocking

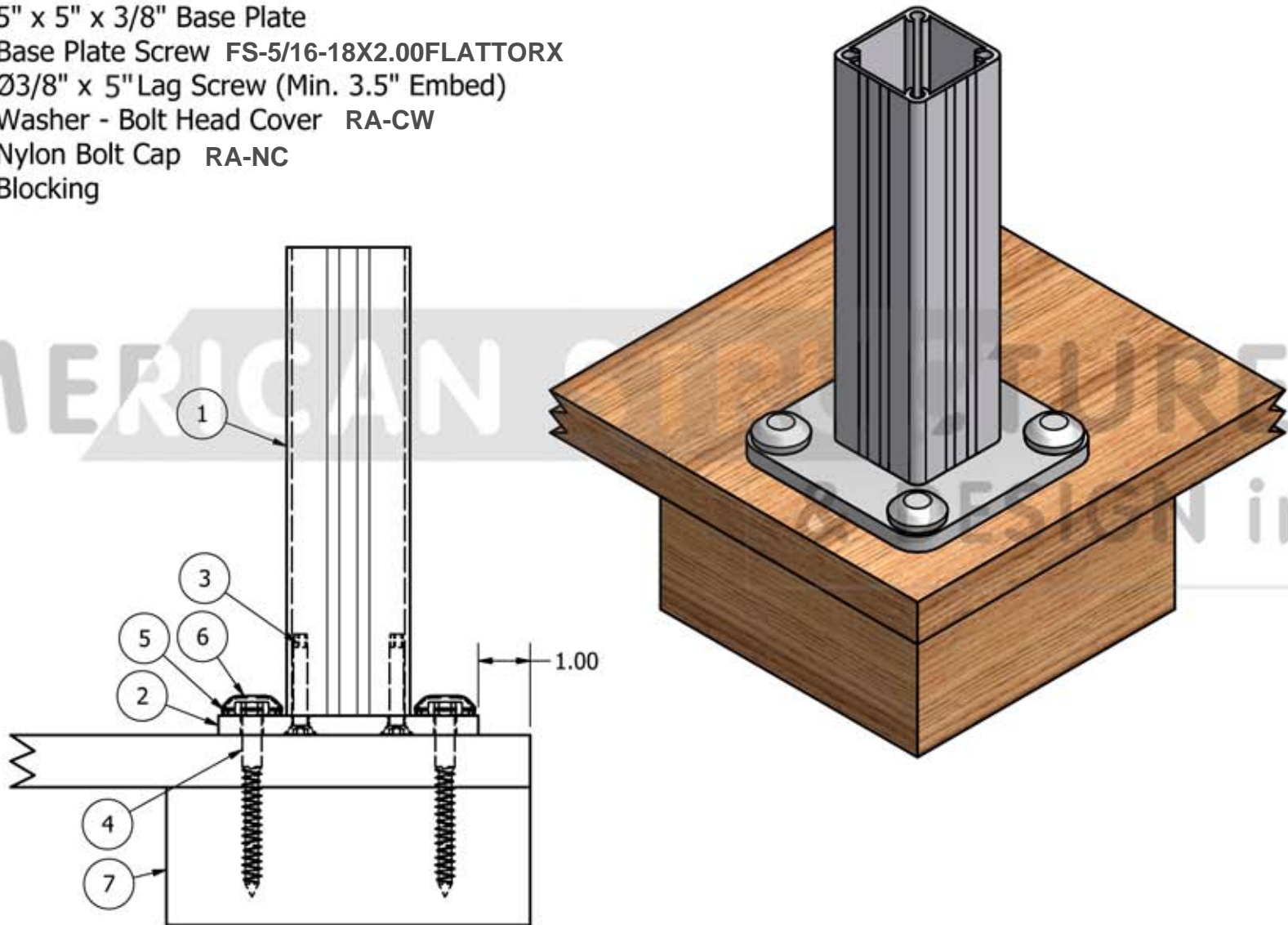


CLIENT NAME:	DRAWN BY:	REV NO.	DATE:	ISSUED BY:	
JOB NAME:	DATE:	1	06-16-2022	P.S.	
ALUMINUM RAIL MOUNTING DETAIL	CHECKED BY:	2			
BID ITEM:	APPROVED BY:	3			
	SCALE:	4			

PAGE NUMBER
1

Note: © This document has been developed and created by AS&D. Information contained herein cannot be used unless specifically permitted in writing by AS&D

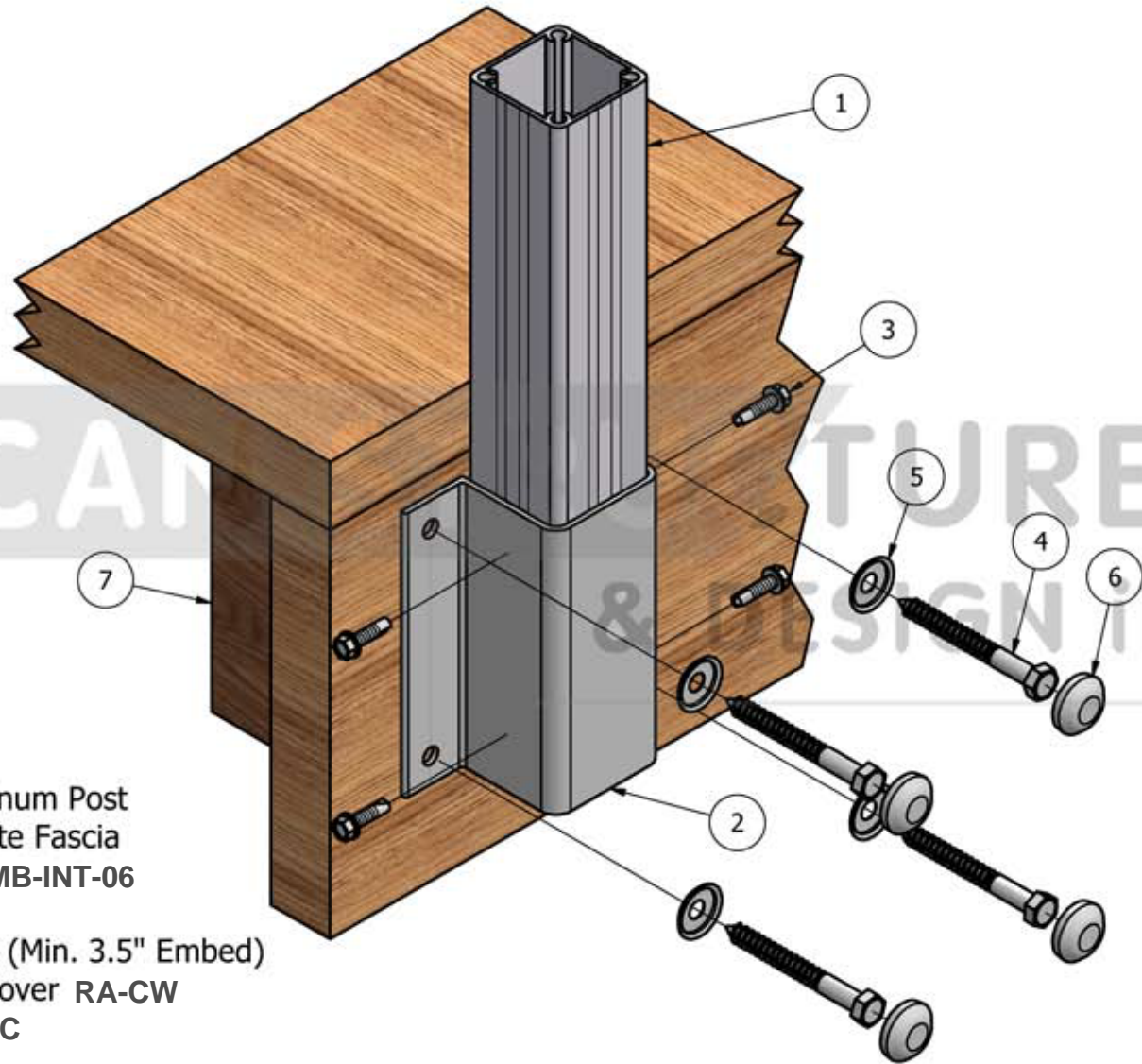
- 1 2-3/8" x 2-3/8" Aluminum Post
- 2 5" x 5" x 3/8" Base Plate
- 3 Base Plate Screw FS-5/16-18X2.00FLATTORX
- 4 Ø3/8" x 5" Lag Screw (Min. 3.5" Embed)
- 5 Washer - Bolt Head Cover RA-CW
- 6 Nylon Bolt Cap RA-NC
- 7 Blocking



CLIENT NAME:	DRAWN BY:	REV NO.	DATE:	ISSUED BY:	
JOB NAME:	DATE:	1	06-16-2022	P.S.	
ALUMINUM RAIL MOUNTING DETAIL	CHECKED BY:	2			
BID ITEM:	APPROVED BY:	3			
	SCALE:	4			

PAGE NUMBER
2

Note: © This document has been developed and created by AS&D. Information contained herein cannot be used unless specifically permitted in writing by AS&D



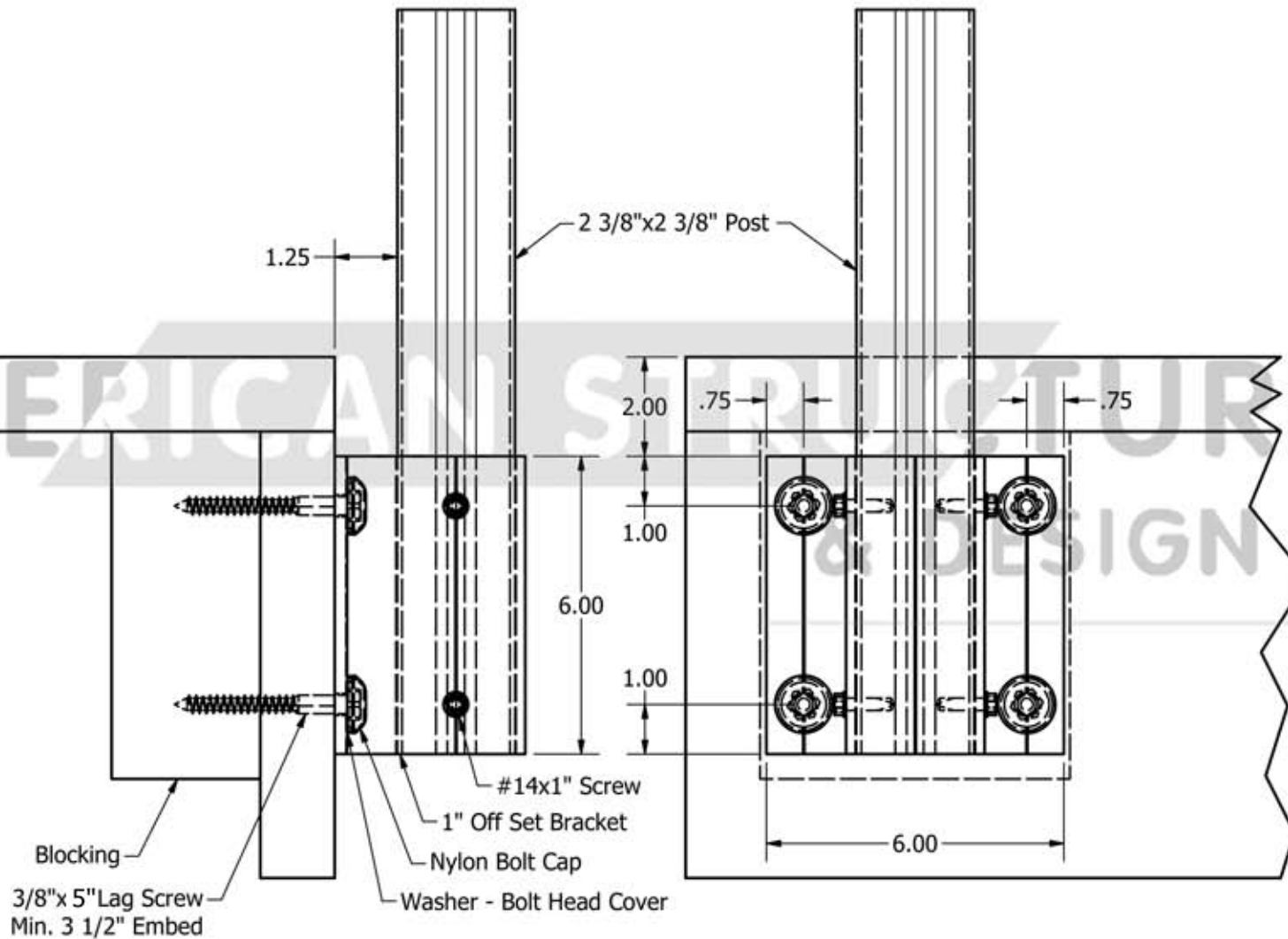
- 1 2-3/8" x 2-3/8" Aluminum Post
- 2 1" Off Set Intermediate Fascia Mount Bracket RA-FMB-INT-06
- 3 #14 x 1" Screw
- 4 Ø3/8" x 5" Lag Screw (Min. 3.5" Embed)
- 5 Washer - Bolt Head Cover RA-CW
- 6 Nylon Bolt Cap RA-NC
- 7 Blocking



CLIENT NAME:	DRAWN BY:	REV NO.	DATE:	ISSUED BY:	
JOB NAME:	DATE:	1	06-16-2022	P.S.	
ALUMINUM RAIL MOUNTING DETAIL	CHECKED BY:	2			
BID ITEM:	APPROVED BY:	3			
	SCALE:	4			

PAGE NUMBER
3

Note: © This document has been developed and created by AS&D. Information contained herein cannot be used unless specifically permitted in writing by AS&D



CLIENT NAME:	DRAWN BY:	REV NO.	DATE:	ISSUED BY:	
JOB NAME:	DATE:	1	06-16-2022	P.S.	
ALUMINUM RAIL MOUNTING DETAIL	CHECKED BY:	2			
BID ITEM:	APPROVED BY:	3			
	SCALE:	4			

PAGE NUMBER
4

Note: © This document has been developed and created by AS&D. Information contained herein cannot be used unless specifically permitted in writing by AS&D