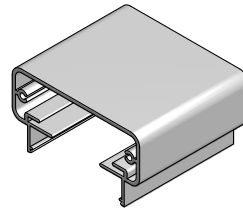




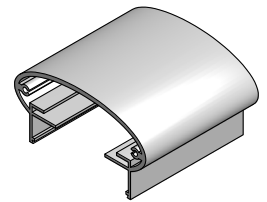
ASDTM
AMERICAN
STRUCTURES & DESIGN

TR200/999

GLASS INFILL | PICKET INFILL | PERF PANEL INFILL



TR200 Rail



TR999 Rail



Picket Infill



Glass Infill



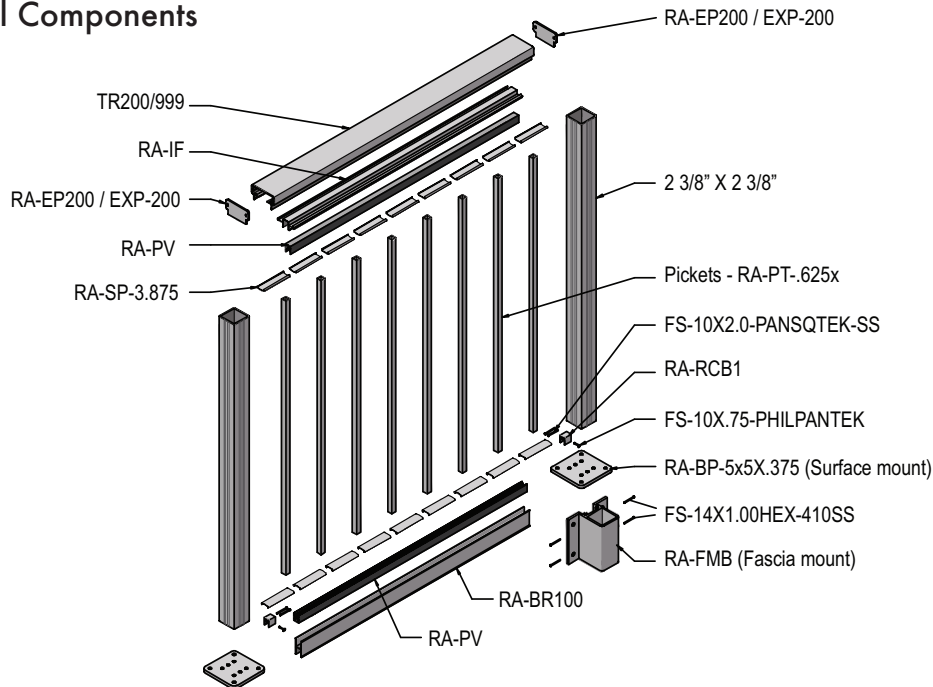
Perf Panel Infill

INSTALLATION INSTRUCTIONS

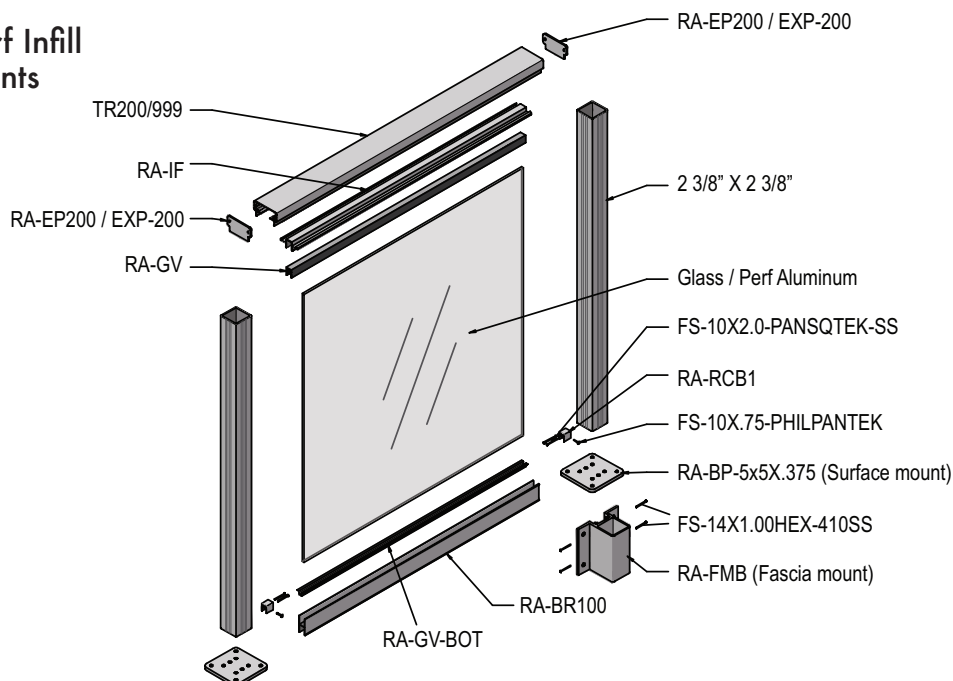
Recommended Tools

1. Pencil
2. Tape measure
3. Level
4. Square
5. String line
6. Rubber mallet
7. Drill/impact driver
8. Electric miter saw with a 10" carbide blade with minimum 65 teeth (improve performance with additional teeth, optimal blade has 100 teeth)
9. Drill bits = 7/16" (for flush mount)
10. Screw driver bits = #2 Phillips., 3/8" (pre-drilling for lags) and a T-40 Allen (socket) head bit
11. Screwdriver bit holder
- !2. Aviation snips

Picket Infill Components



Glass/Perf Infill Components



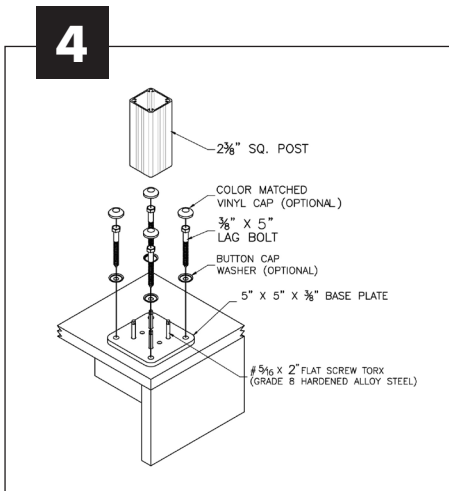
Preparation

1 Check materials – Verify all parts have arrived, and match the packing slip.

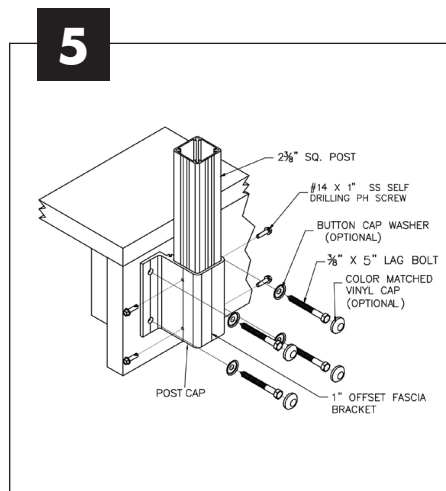
2 Gather and identify all posts per your layout

3 Layout posts – Maximum spacing is 4'-6" to 5'-0" (Based on ASD Engineering) - Intermediate posts are spaced evenly between end and corner posts

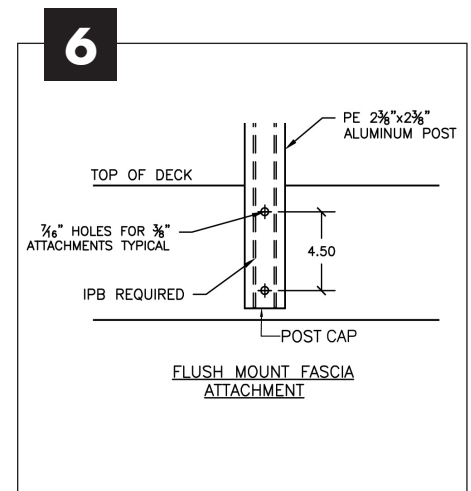
Anchor Posts



Surface mount – Anchor each post using (4 ea) $\frac{3}{8}$ " x 5" minimum lag bolts with washers and button caps.

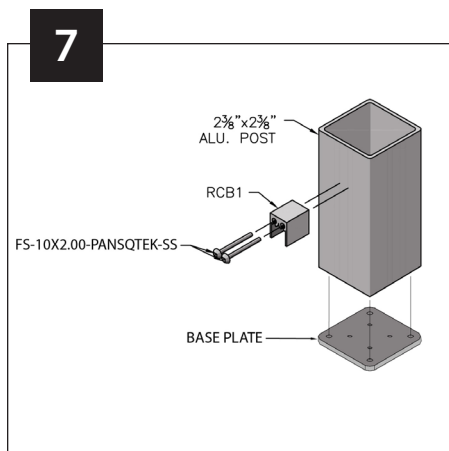


Fascia mount w/brackets – Anchor each fascia bracket using (4 ea) $\frac{3}{8}$ " x 5" minimum lag bolts with cap washer and button cap. Measure and cut each post to desired length. Secure the posts into the bracket using (2 ea side of fascia bracket) #14 x 1" tex screws. Cover the bottom of each post with a post cap using (1 ea) $\frac{3}{4}$ " painted screw to secure the post cap in place.

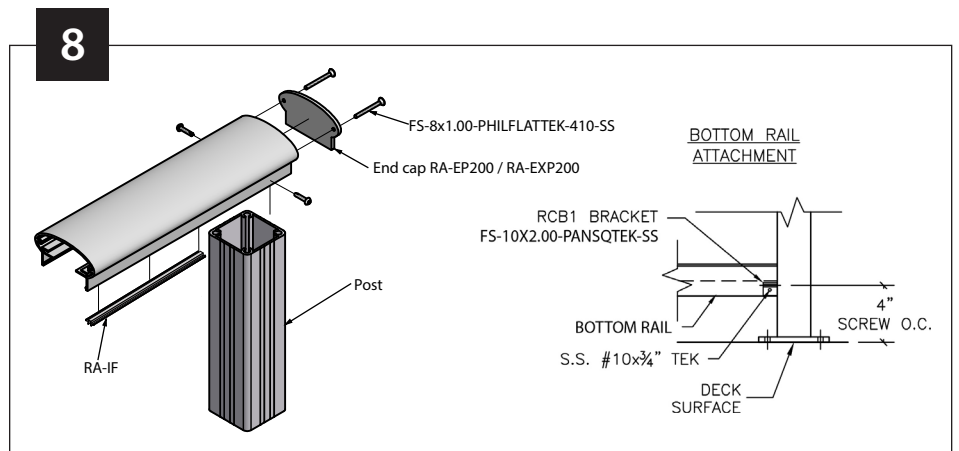


Fascia mount/flush – Measure and cut each post to desired length. Insert (2 ea) PIF into the bottom of each post. Cover the bottom of each post with a post cap and using (1 ea) $\frac{3}{4}$ " painted screw to secure post cap in place. Anchor each post using (2 ea) $\frac{3}{8}$ " x 7" minimum lag bolts with cap washer and button cap.

Connecting

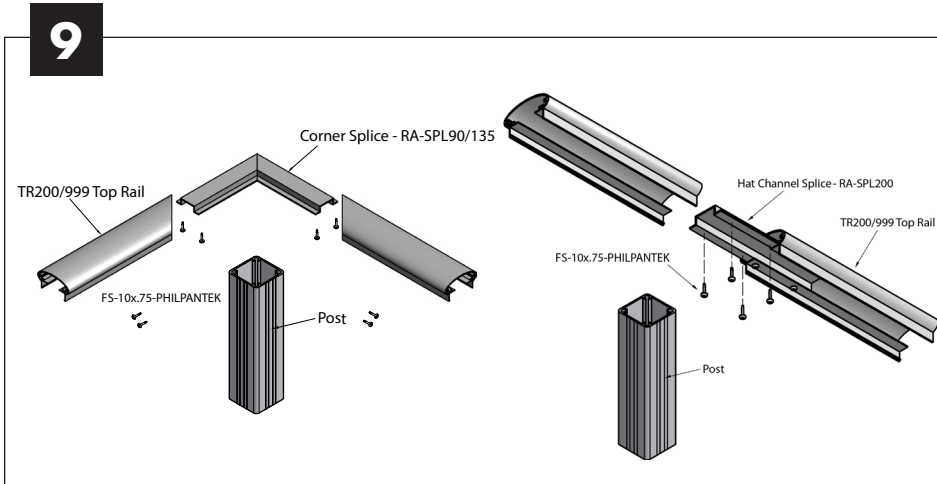


Rail connecting blocks – Anchor block into post using #10 x 2" screws (2ea per RCB). Use (1 ea) RCB for the bottom rail. Section #8 shows location.

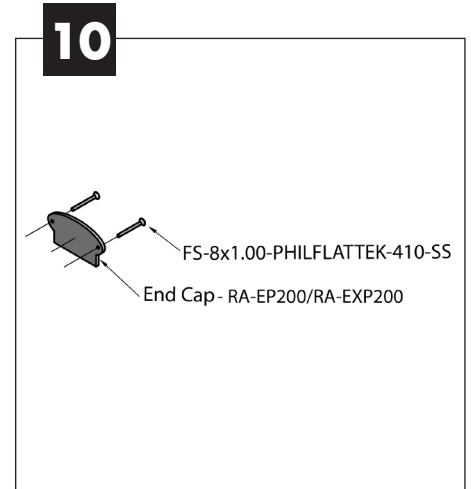


Top and bottom rail attachment – Top rail is used in the longest lengths practical, longer rails will capture more posts and add strength to the system. To install bottom rail measure inside-to-inside of posts and cut rails to fit in-between posts. Measure inside-to-inside of posts and cut bottom rail to fit in-between posts. Attach bottom rail to the connecting blocks, screwing 1 ea, #10 x $\frac{3}{4}$ " painted screw to each side, $\frac{1}{2}$ " from each end of the rail.

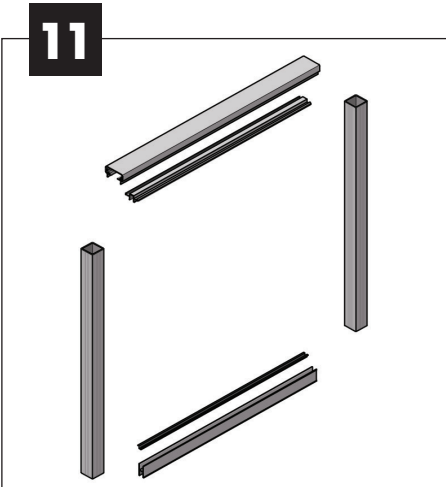
TR200/999 Glass, Picket, or Perf Infill Installation Instructions



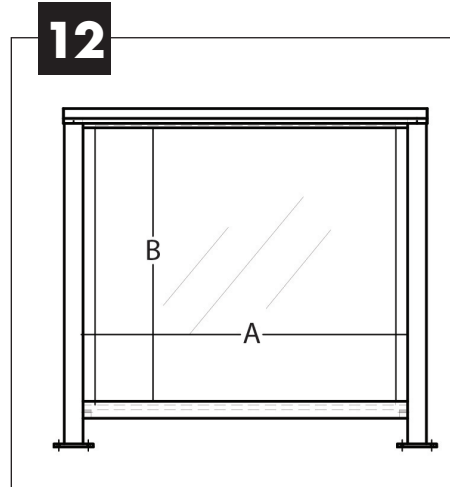
Corners and splicing – To create corners, top rail will be mitered, use the welded internal splice to secure miter. Secure splice to top rail using FS-10X.75-PHILPANTEK.



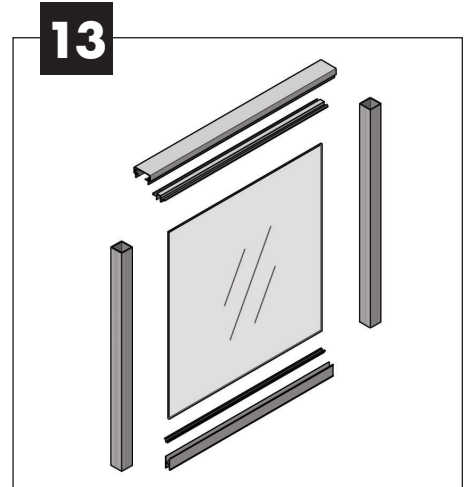
Terminating top rail–Cover end of top rail using End Cap and secure with 2ea FS-8x1.00-PHILFLATTEK-410-SS



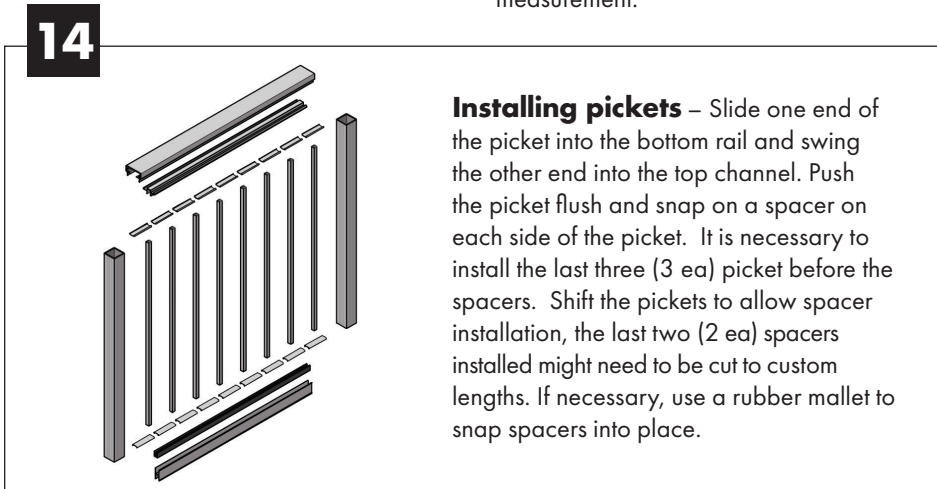
Measuring and installing picket or glass/perf vinyl–Measure inside-to-inside post and cut top and bottom vinyl. Install top and bottom vinyl inside top and bottom rail.



Measuring for glass/perf panel– (A) Glass Width – Measure inside post to inside post. Then **deduct 3"** from your measurement. (B) Glass Height – Measure from the inside of the top rail to the inside of the bottom rail. Then **add 3/4"** to your measurement.



Installing glass/perf panel– Wet the top and bottom glass vinyl. Center the glass in the opening between the two posts. Insert the glass into the top vinyl by pushing upwards. Move the **bottom** of the glass **over the bottom rail** and lower into the bottom vinyl.



Installing pickets – Slide one end of the picket into the bottom rail and swing the other end into the top channel. Push the picket flush and snap on a spacer on each side of the picket. It is necessary to install the last three (3 ea) picket before the spacers. Shift the pickets to allow spacer installation, the last two (2 ea) spacers installed might need to be cut to custom lengths. If necessary, use a rubber mallet to snap spacers into place.