

AS&D

BALCONY SYSTEMS™

- Durable, low maintenance aluminum balconies
- Ideal for multi-family housing, office buildings, condos
- Lightweight yet exceptionally durable



BALCONY SYSTEMS

ALUMINUM DESIGN VS. TRADITIONAL STEEL

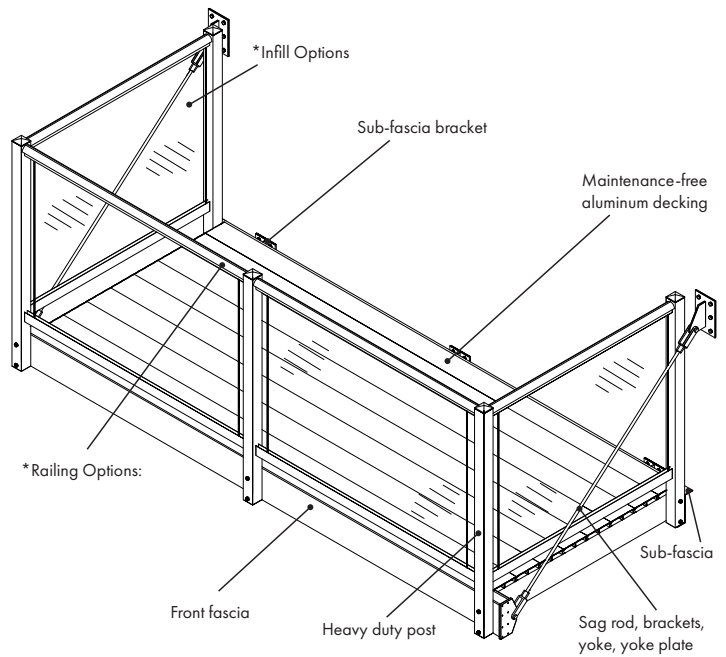
	AS&D Aluminum Balcony Systems	Steel
Factory prefabrication and painted for faster installation	✓	✗
Lightweight, easy-to-handle, and move on the job site	✓	✗
Uniform factory production	✓	✗
Multiple cost saving delivery options: <ul style="list-style-type: none"> Extrusions Knock-down Pre-assembled Pre-drilled holes 	✓	✗
Choice of baked-on enamel or anodized finishes	✓	✗
Can be modified and assembled on site using standard chop saw and drill	✓	✗
Virtually maintenance free, no rust, rot, swelling, splits or cracking	✓	✗



AS&D Aluminum Balcony System



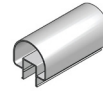
Traditional Steel



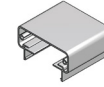
Units include: decking, railing, infill, swags, mounting hardware.

*CHOOSE A TOP RAIL STYLE

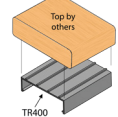
Round Top
TR100



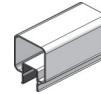
Flat Top
TR200



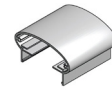
Add-A-Top
TR400



Square Top
TR600



Elliptical Top
TR999



*CHOOSE AN INFILL OPTION

Glass



Picket



Cable



Perforated/Mesh



Midrail Design



MADE IN AMERICA



NATIONWIDE DISTRIBUTION