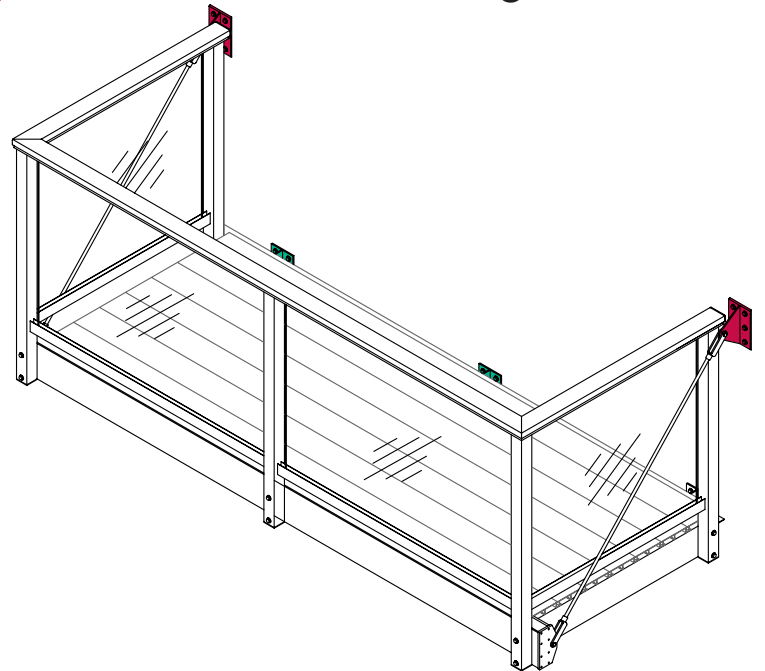




Balcony Type 1, 2, 3  
(with Sub Fascia and Sag Rod Brackets)

## Balconies with Sub Fascia and Sag Rod Brackets



# BALCONY TYPE 1,2,3 INSTALLATION INSTRUCTIONS

## Important Note:

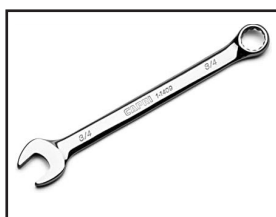
Every balcony (both standard and non-standard) has a **site-specific submittal package** for material and installation instruction details. The site-submittal package **MUST** be used to guide all installation steps. If you have further questions, contact your AS&D project manager.

Note: Some larger, or non-standard, balconies require different hardware and installation methods. Refer to the AS&D submittal package for instructions.

## Recommended Tools



1. 9/16" Wrench



2. 3/4" Wrench



3. 11/16" Wrench



4. Impact Gun



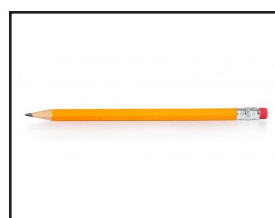
5. 9/16" Socket



6. 3/4" Socket



7. Tape Measure

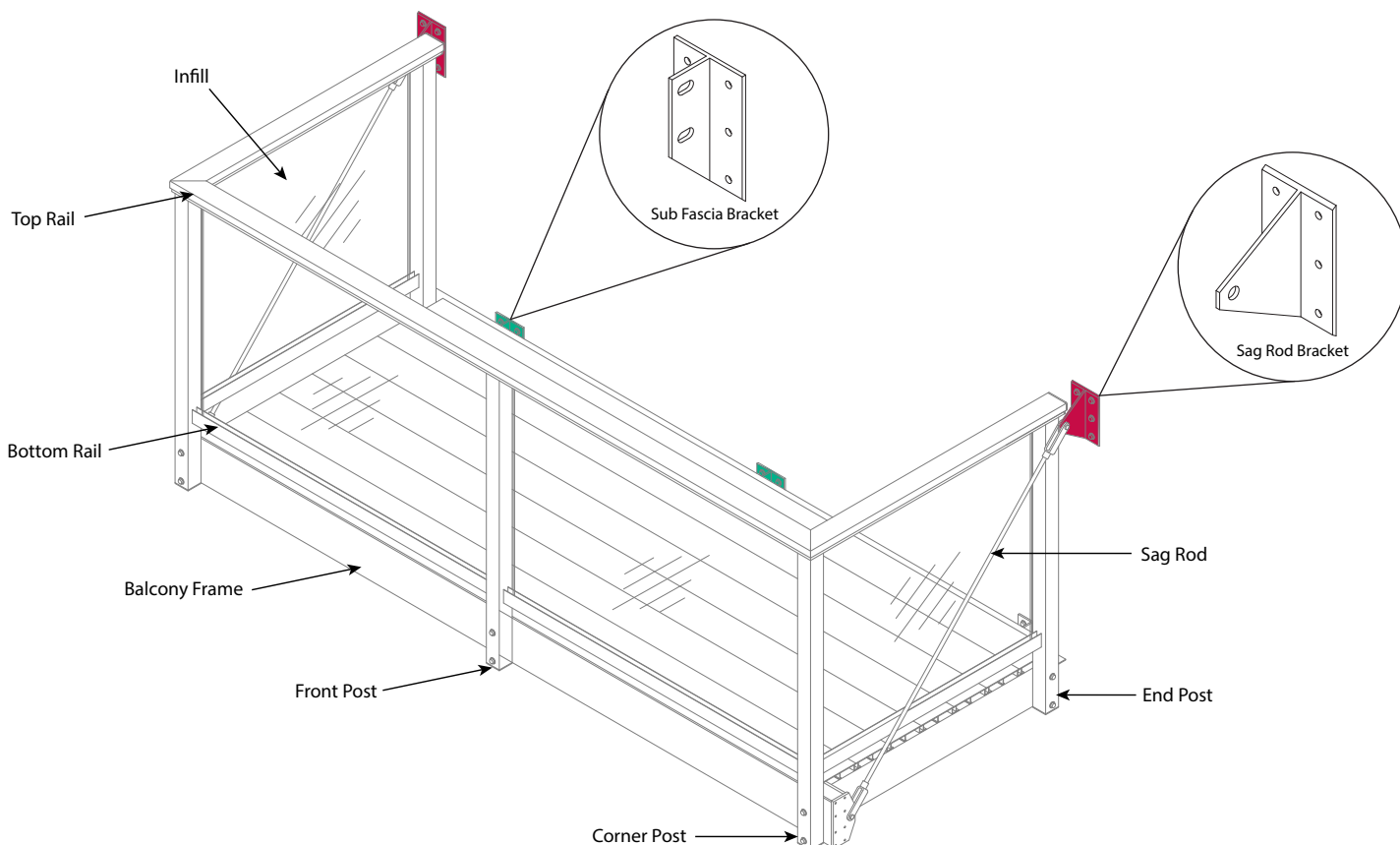


8. Pencil



9. Drill with 1/4" bit

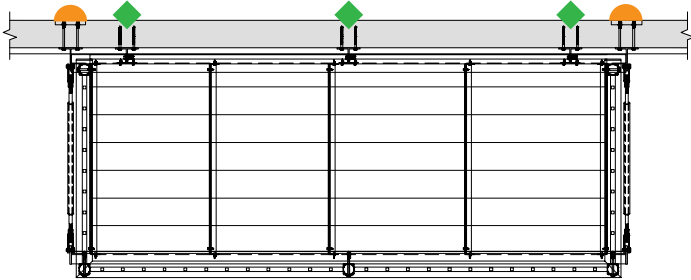
## Balcony Components



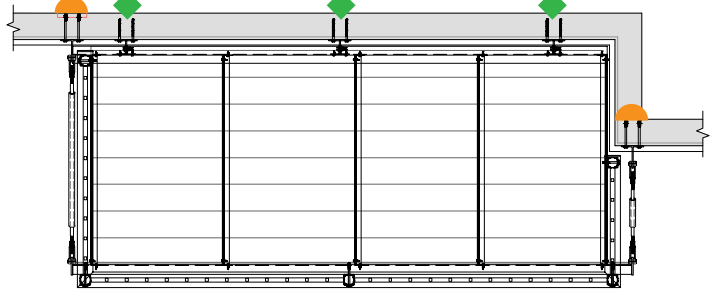
## Balcony Types:

- ◆ Sub Fascia Bracket
- ◐ Sag Rod Brackets

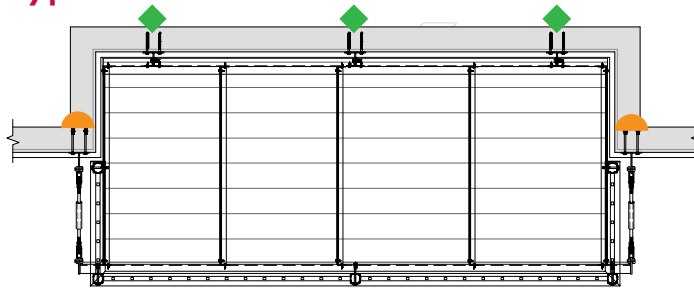
### Type 1

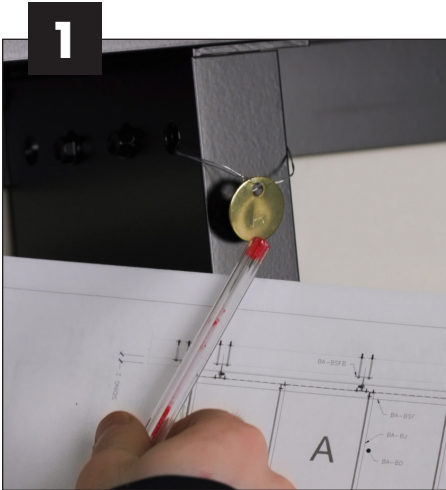


### Type 2



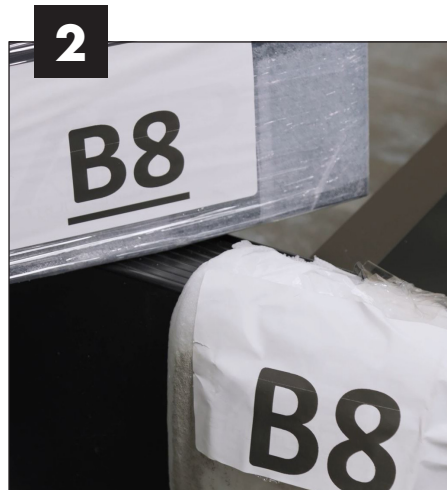
### Type 3





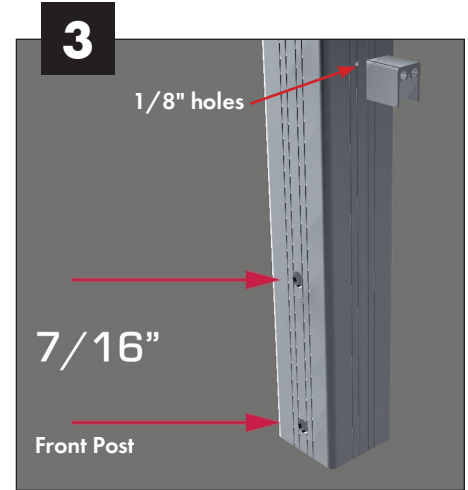
**1**

**Verify Assemblies vs. Submittal**  
Using the submittal as your guide, verify that the tags on each balcony assembly match the width and projections as listed in the submittal document.



**2**

**Match Post Bundle to Balcony Type**  
Gather each post bundle that matches the balcony type.



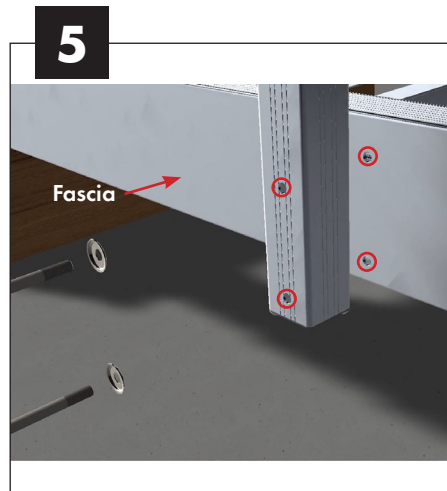
**3**

**Front Post Installation**  
Locate the front posts. These can be identified by two 7/16" holes, and two 1/8" holes on the sides of each post.  
**Note:** RCB1 has **NOT** been installed.



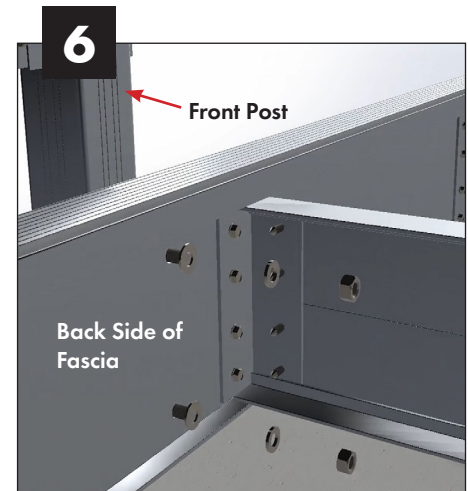
**4**

**Front Post Hardware**  
Locate the following hardware to install the front posts to the balcony fascia.  
2ea. FS-3/8-FLATW  
2ea. FS-3/8-LOCKWASHER-18-8  
2ea. FS-3/8-16X5.00-HEXBOLT  
2ea. FS-3/8-16NUT-18-8  
2ea. RA-NC  
2ea. RAOCW  
1ea. Front Post



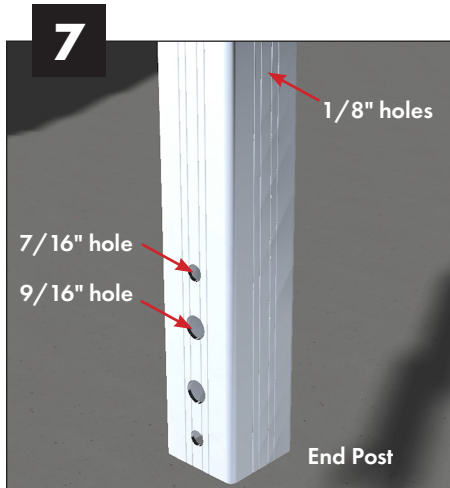
**5**

**Front Post Installation**  
Locate the predrilled holes on the fascia and posts. Use the hardware to install the front post.



**6**

**Ongoing Front Post Installation**  
Continue installing the front posts to the front fascia as outlined in the submittal document.



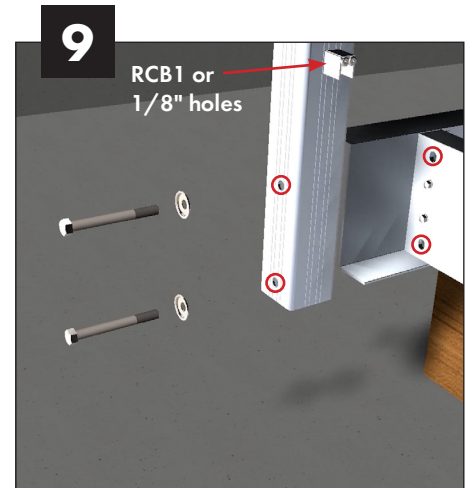
### End Post Installation

Identify and gather end posts and all associated hardware. These can be identified two 9/16" holes as well as two 7/16" holes on two sides and two 1/8" holes on one side.



### End Post Hardware

Locate the following hardware to install the end posts to the balcony fascia.  
 2ea. FS-3/8-FLATW  
 2ea. FS-3/8-LOCKWASHER-18-8  
 2ea. FS-3/8-16X3.5-HEXBOLT  
 2ea. FS-3/8-16NUT-18-8  
 2ea. RA-NC  
 2ea. RAOCW  
 1ea. Front Post



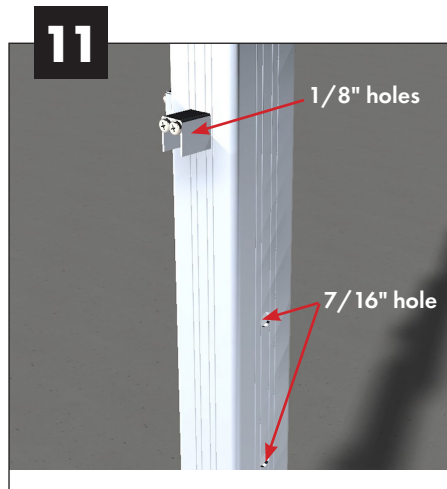
### End Post Installation

Locate the predrilled holes on the balcony joist and use the hardware to install each end post.



### Ongoing End Post Installation

Continue installing the end posts to the balcony joists as outlined in the submittal document.



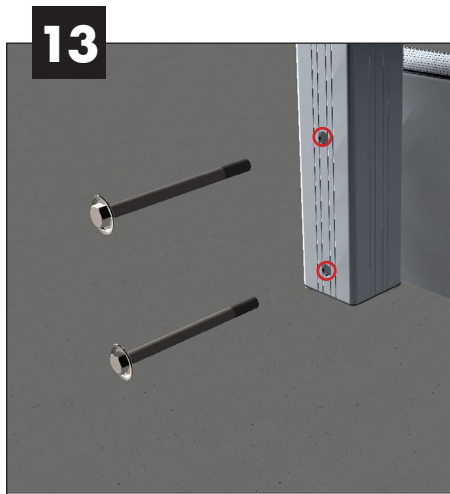
### Corner Post Installation

Identify and gather corner posts and all associated hardware. The corner posts can be identified by two 7/16" holes on two sides, and two 1/8" holes on two alternating sides.



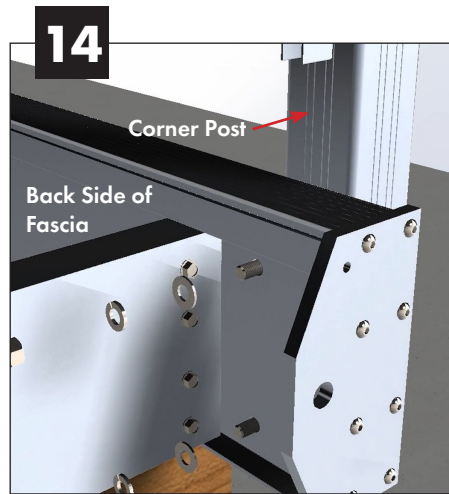
### Corner Post Hardware

Locate the following hardware to install the corner posts to the balcony fascia.  
 2ea. FS-3/8-FLATW  
 2ea. FS-3/8-LOCKWASHER-18-8  
 2ea. FS-3/8-16X5.00-HEXBOLT  
 2ea. FS-3/8-16NUT-18-8  
 2ea. RA-NC  
 2ea. RA-CW  
 1ea. Corner Post



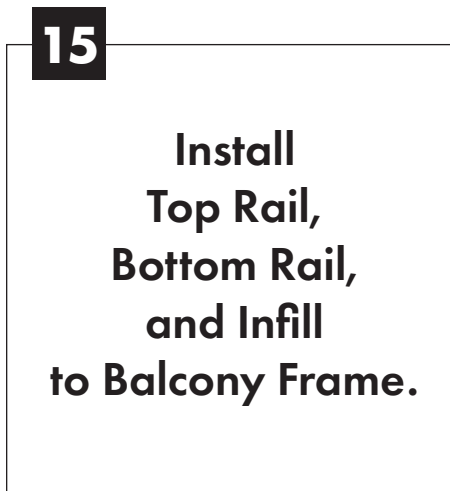
### Corner Post Installation

Locate the predrilled holes on the corner of the balcony fascia, and use the hardware to install each corner post.



### Ongoing Corner Post Installation

Continue installing the corner posts to the balcony fascia as outlined in the submittal document.



### Railing Installation

Gather railing components marked Top Rail, Bottom Rail, infill and corresponding balcony frame. Be sure to verify that each part matches the submittal documentation.



### Railing Installation

Refer to separate railing installation instructions found on Americanstructures.com

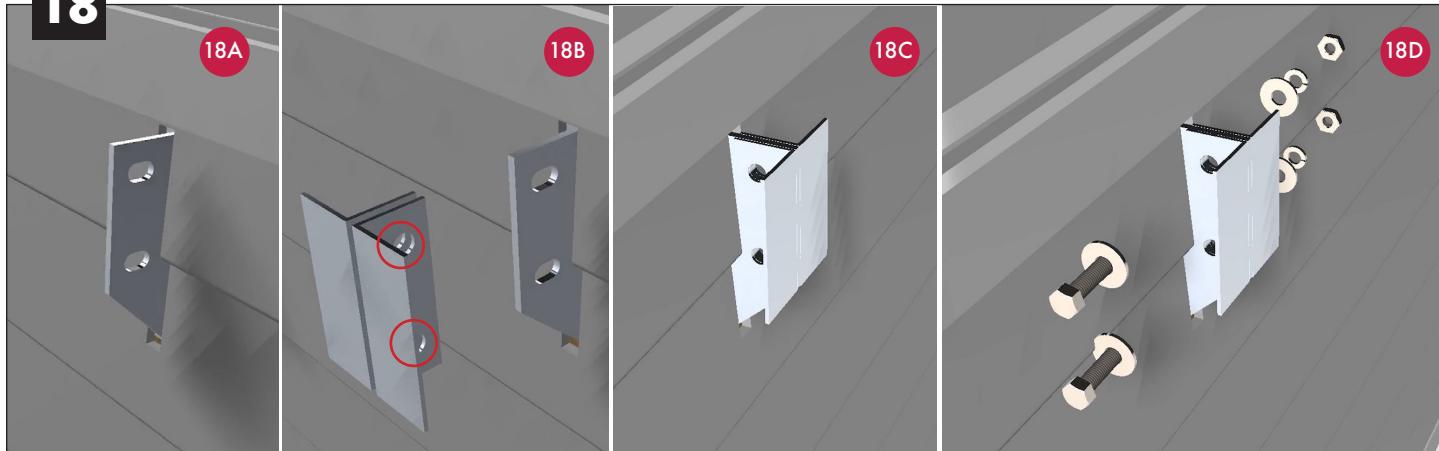


### BSFA Hardware

Gather all Balcony Sub Fascia Angles (BSFA) to be installed as well as corresponding hardware.

- 2ea. BA-BSFA
- 2ea. FS-1/2-13x1.75-HEXBOLT-18-8
- 2ea. FS-1/2-NUT
- 2ea. FS-1/2-13LOCKWASHER-18-8
- 4 ea. FS-1/2FLATWASHER-18-8

## 18



### BSFA Installation

18A: Locate the sub fascia brackets previously installed on the building.

18B: Align the predrilled holes on the BSFAs to the balcony subfascia bracket.

18C: Ensure the BSFA is flush to the end of the knife plate.

18D: Using the designated hardware attach the BSFA's using hand tools to torque 43ft-lb.

## 19



### Sag Rod Installation and Hardware

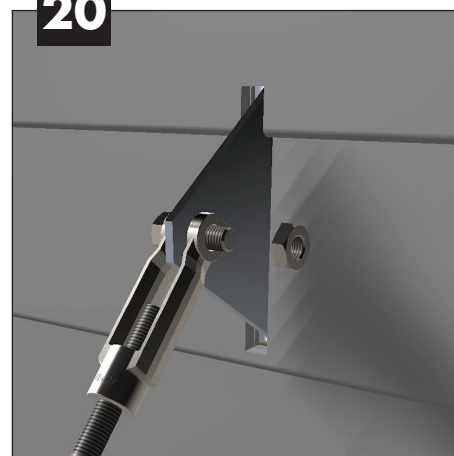
Locate the sag rods and corresponding hardware that will be installed. Each sag rod is labeled to a corresponding balcony per the AS&D submittal.

1ea. BA-BSR

1ea. FS-5/8-11x1.75HEXBOLT-18-8

1ea. FS-5/811 THINNYLONLOCNUT-18-8

## 20



### Sag Rod Installation

Using the designated hardware attach sag rods to the previously installed sag rod brackets on the building.

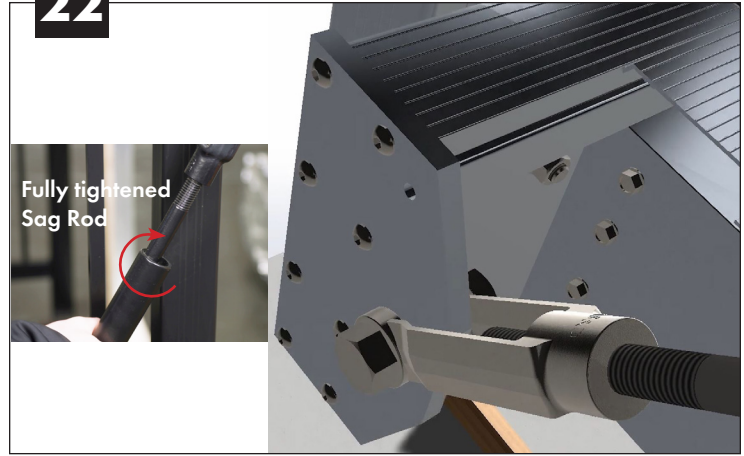
**21**



**Balcony Installation**

Locate the following hardware to attach the balcony to the sag rods. Hoist the balcony to the designated location.  
 1ea. FS-5/8-11x1.75HEXBOLT-18-8  
 1ea. FS-5/811THINNYLONLOCNUT-18-8

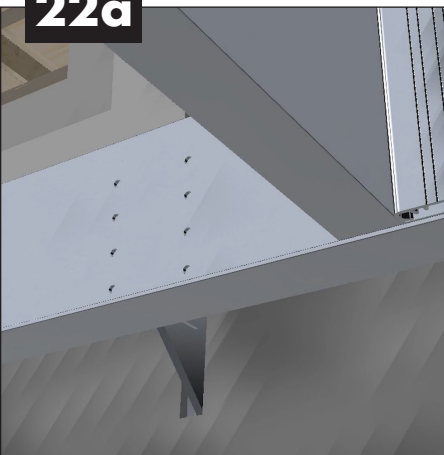
**22**



**Balcony Installation**

Connect and fully tighten sag rod to balcony fascia using the designated hardware. Continue installing the sag rods to the balcony fascia as per the submittal.

**22a**



**Balcony Installation**

Align the balcony sub fascia to the BSFA previously installed on the building brackets.

**22b Important Note:**

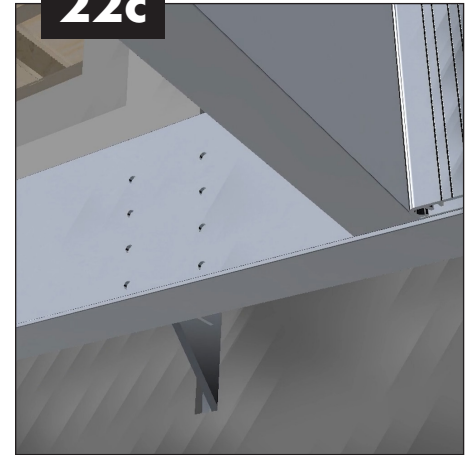
**Balcony Frame Installation**

To install the balcony frame, verify the centerline of the balcony frame and the finished height of the decking surface per the AS&D submittal drawings.

If the sub-fascia brackets were installed correctly on the building, the predrilled holes in the sub-fascia should align to the centerline of the sub-fascia angles that you will be anchoring the frame to.

If the height of the decking surface needs to be adjusted, the balcony can be raised up to 3/8" from the top of the sub-fascia brackets and then secured to balcony sub-fascia angles on the walls using the #14x1" screws.

**22c**

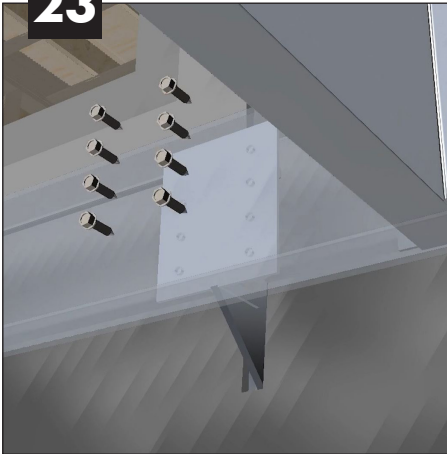


**Balcony Frame Installation**

**NOTE:** If the balcony frame needs to be raised more than 3/8" from the top of the sub fascia brackets, custom balcony sub-fascia angles can be fabricated per engineering approval.



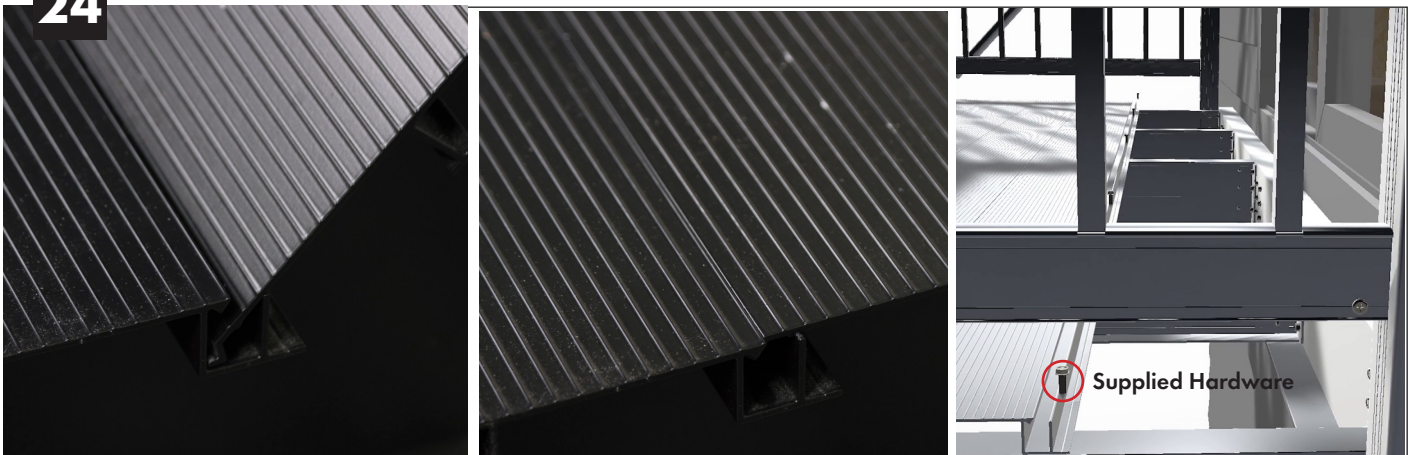
**23**



### Secure Sub Fascia to BFSA

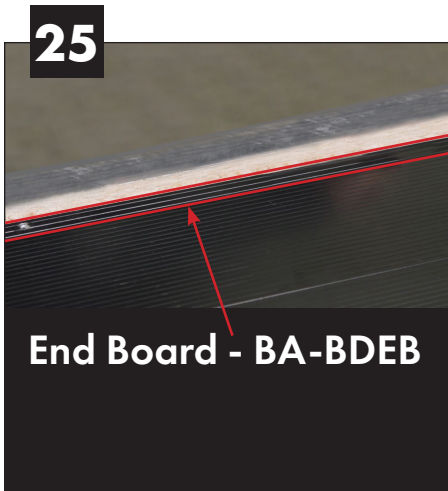
Locate the predrilled holes on the balcony subfascia and use eight 14x1 fasteners to secure the subfascia to the BSFAs. Repeat this process for the remaining subfascia brackets.

**24**



### Deck Board Installation

Install all deck boards to the balcony frame. Interlock the deck boards using the supplied hardware, and repeat this process until all deckboards are installed.



### End Board Installation

Locate the decking end board BA-BDEB that corresponds to the balcony you are installing.



### End Board Installation

Mark the centerline of each joist on the top of last deck board.



### End Board Installation

Anchor balcony decking end board using the supplied FS-10x1.50-PANSQTEK

## Inspection Checklist for Balcony Installation

### Verify the following:

All bolts and fasteners are properly installed. Check that all connections to the building are tight and secure, and all connections between the railing and balcony assembly match the submittal document. Ensure the following eleven connections are tight and secure.

|     | Task                              | Notes |
|-----|-----------------------------------|-------|
| 1.  | Top Rail to Post                  |       |
| 2.  | Infill Attachment to TR           |       |
| 3.  | Post Connection to Balcony Fascia |       |
| 4.  | Bracket to Subfascia              |       |
| 5.  | Decking to Joist                  |       |
| 6.  | Sag Rod to Balcony and to Wall    |       |
| 7.  | Bottom Rail to RCB-1              |       |
| 8.  | Post to RCB-1                     |       |
| 9.  | Splice Connection                 |       |
| 10. | Post to Joists on Side of Balcony |       |