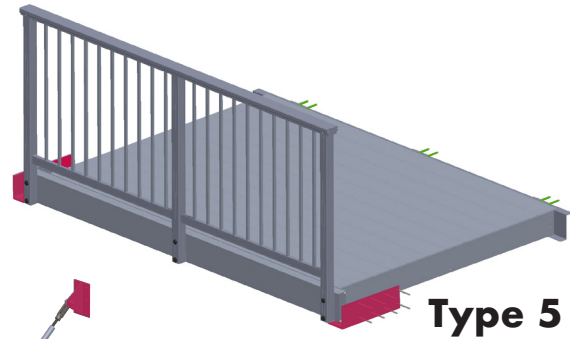


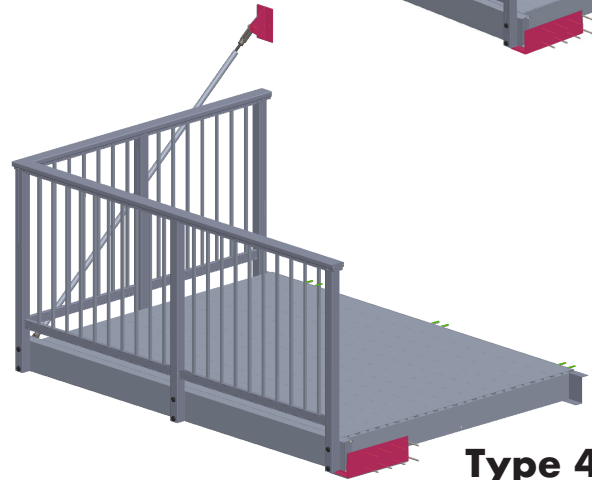


AMERICAN
STRUCTURES & DESIGN

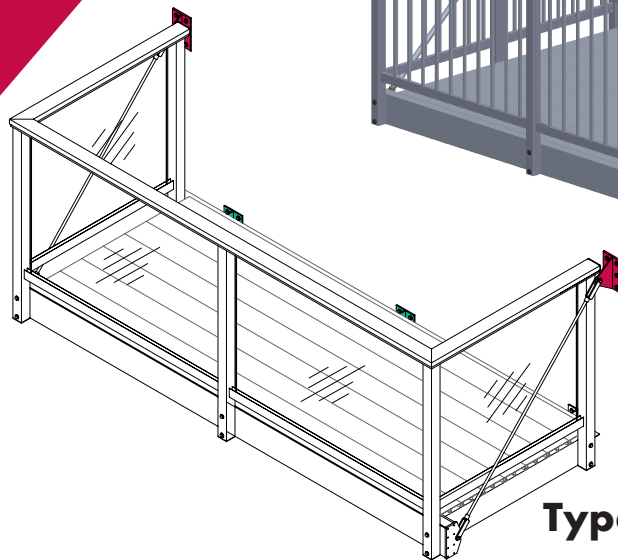
Balcony Bracket Types 1,2,3,4,5



Type 5



Type 4



Type 1,2,3

BALCONY BRACKET INSTALLATION INSTRUCTIONS

Important Note:

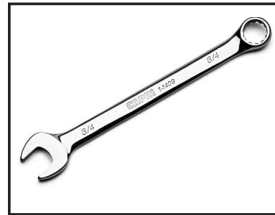
Every balcony (both standard and non-standard) has a **site-specific submittal package** for material and installation instruction details. The site-submittal package **MUST** be used to guide all installation steps. If you have further questions, contact your AS&D project manager.

Note: Some larger, or non-standard, balconies require different hardware and installation methods. Refer to the AS&D submittal package for instructions.

Recommended Tools



1. 9/16" Wrench



2. 3/4" Wrench



3. Impact Gun



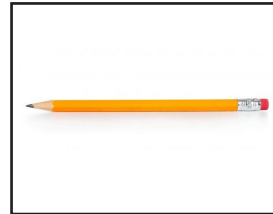
4. 9/16" Socket



5. 3/4" Socket



6. Tape Measure



7. Pencil

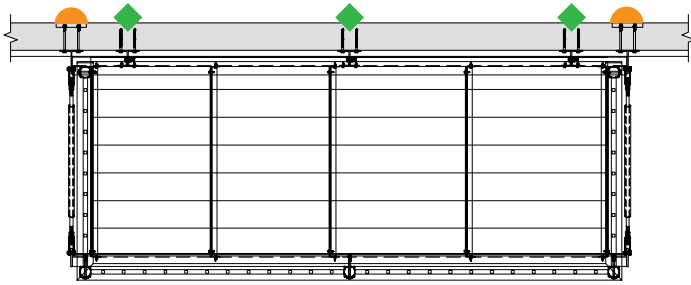


8. Drill with 1/4" bit

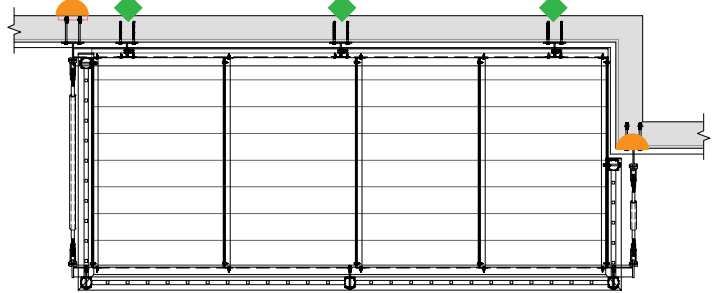
Balcony Types 1,2,3,:

- ◆ Sub Fascia Bracket
- Sag Rod Brackets
- ✦ Side Mount Bracket

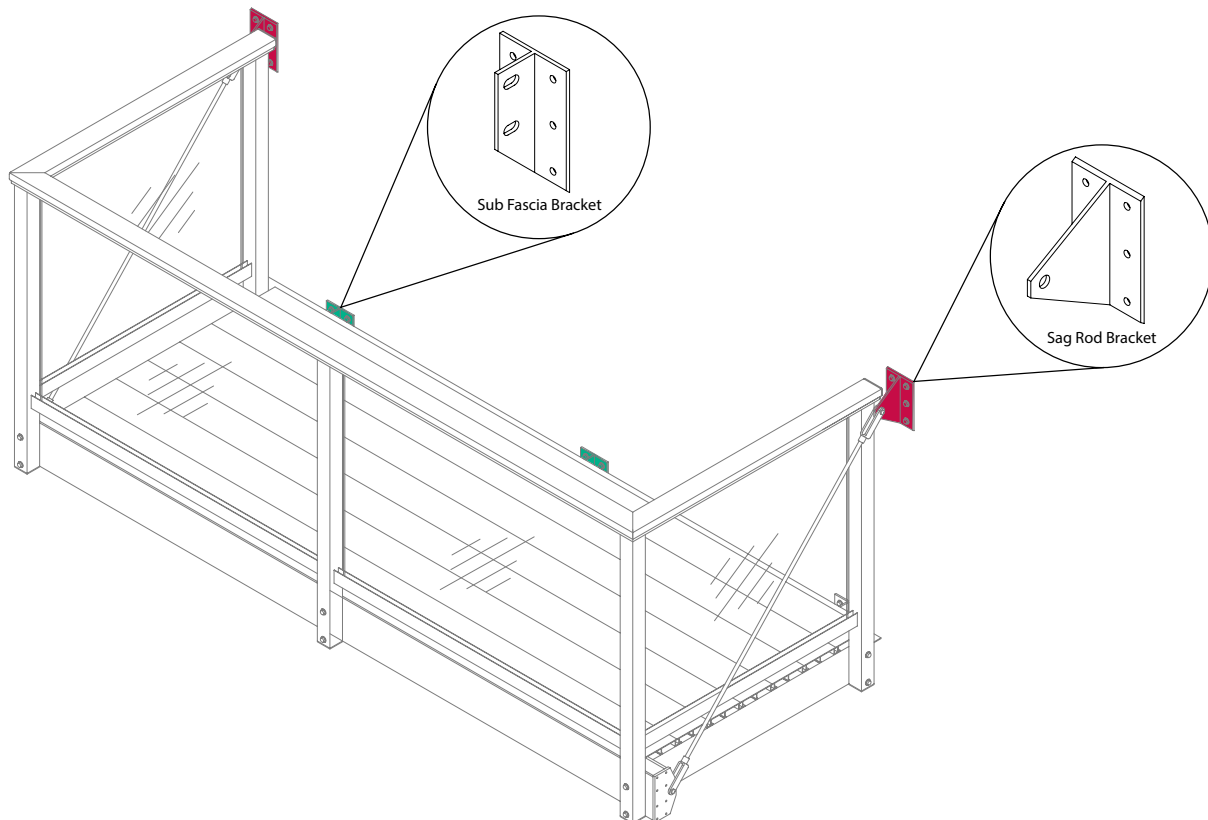
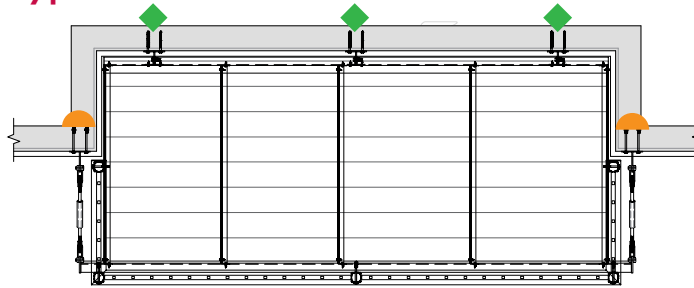
Type 1



Type 2



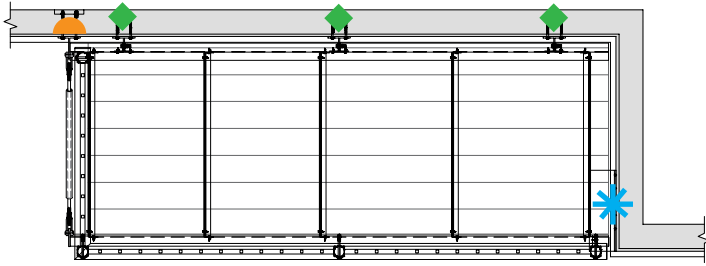
Type 3



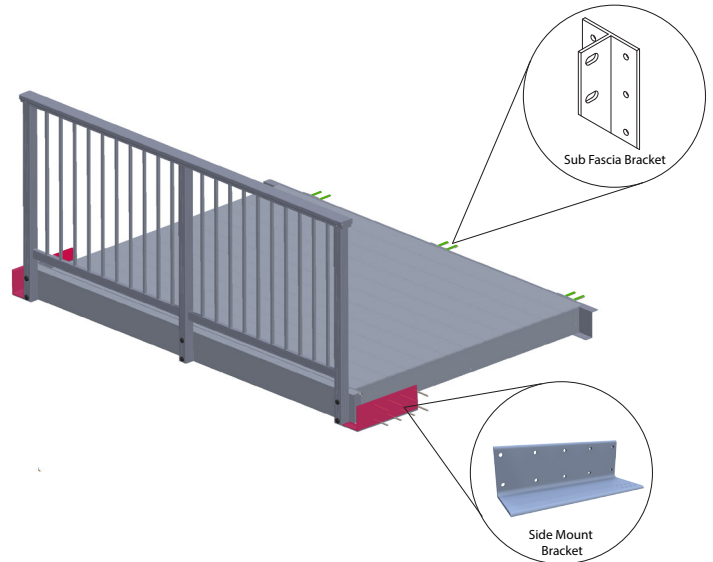
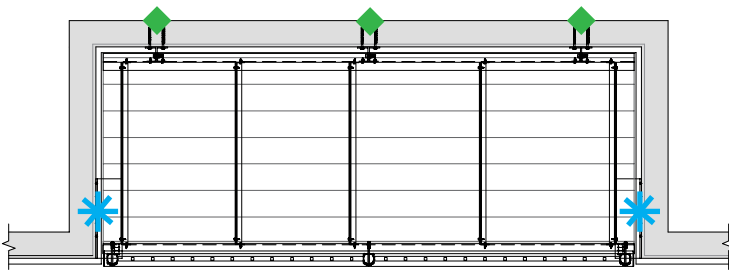
Balcony Types 4,5:

- ◆ Sub Fascia Bracket
- ◐ Sag Rod Brackets
- * Side Mount Bracket

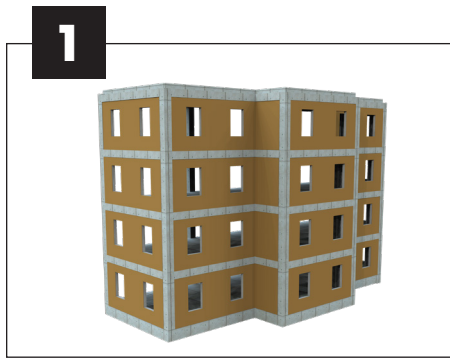
Type 4



Type 5



Bracket Mount Preparation



Brackets must be installed to structural framing members or per approved engineering details. Brackets must be installed prior to waterproofing and siding.

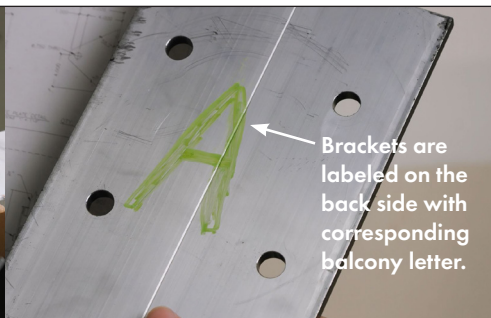


Verify that all components have been received and that brackets are the correct size based on the AS&D submittal package.

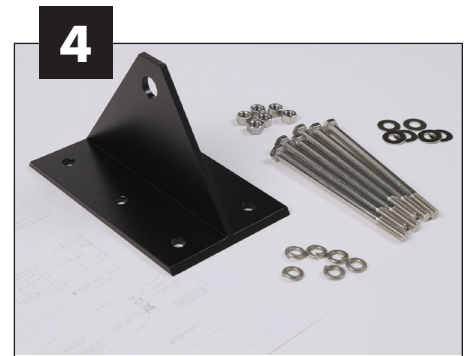


Sort and separate brackets to match corresponding submittal. Brackets are labeled on the back side with corresponding balcony letter. Check submittals to make sure each bracket matches the balcony.

Important Note: Brackets are specifically designed for your job and for **each individual balcony**. Brackets are manufactured based on siding thickness and their placement on the building. **Before installation verify siding thickness matches the submittal. If the measurement varies by more than 5/8"** contact your AS&D project manager.



Brackets are labeled on the back side with corresponding balcony letter.



Sort and place the supplied hex bolts, nuts, and lock washers next to the **sag rod brackets**. Check submittals to verify the size requirements for hardware based on your sag rod bracket design.



Sort and place supplied hex lags and lock washers next to the **sub fascia brackets**. Verify these components match the submittals as well.



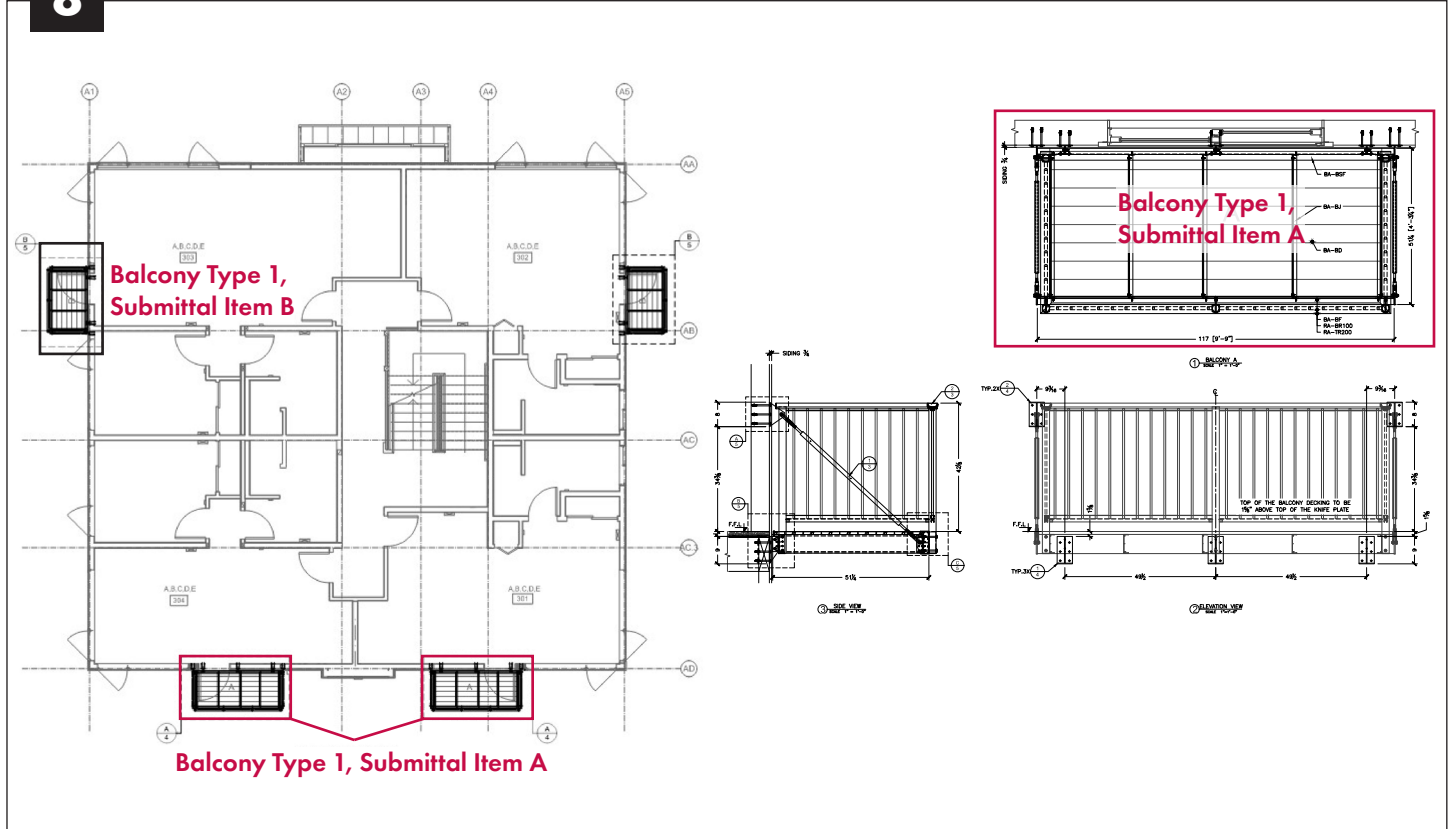
Balcony Type 4,5. Identify and find the side mount brackets and hardware. Verify these components match the submittals.



Always verify bracket type and placement using the site specific submittal package.

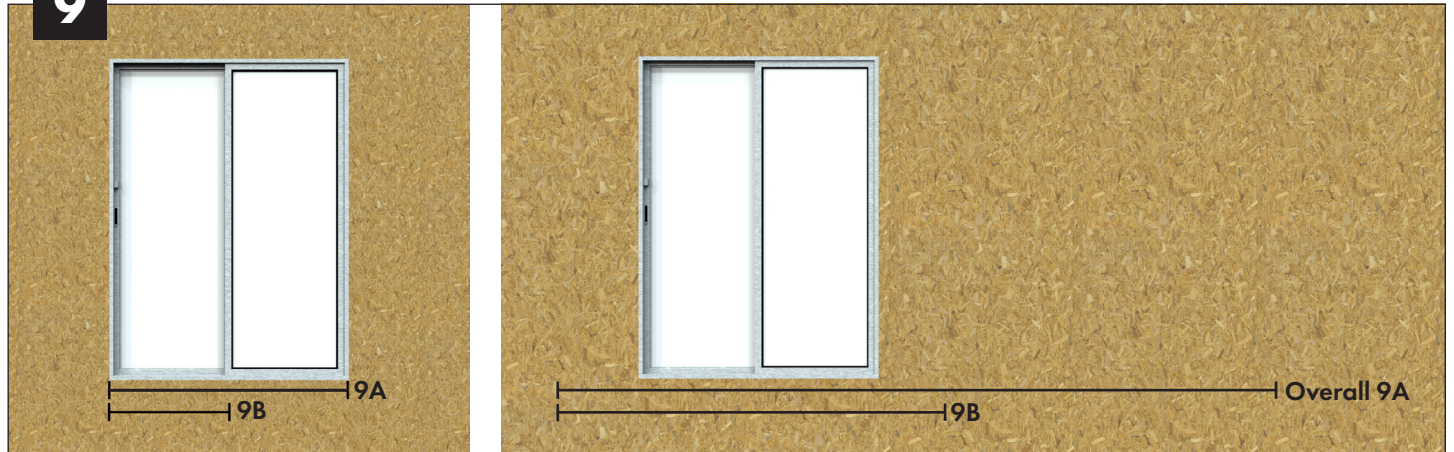
Installation

8



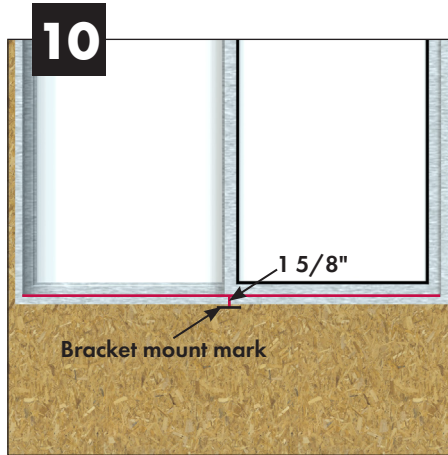
Confirm bracket locations using the site-specific submittal package before installation.
Note: Image above is for informational purposes only, always use your site-submittal package for reference.

9



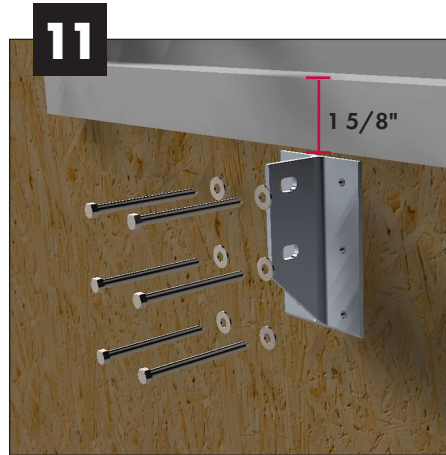
9A: Using the submittal packet locate the overall width of the balcony on the building structure.
 9B: Divide the overall width from Step 9A by two (2). This measurement will be your centerline.
Note: The balcony may or may NOT be centered on the rough opening, refer to your site specific submittal packet for exact dimensions.

Installation

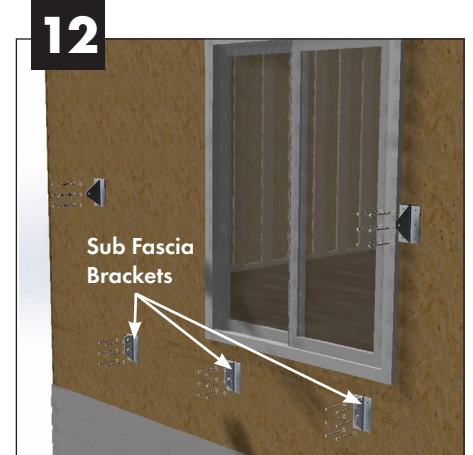


From the estimated height of the finished interior floor surface, measure down 1 5/8" and mark the required measurement for bracket placement.

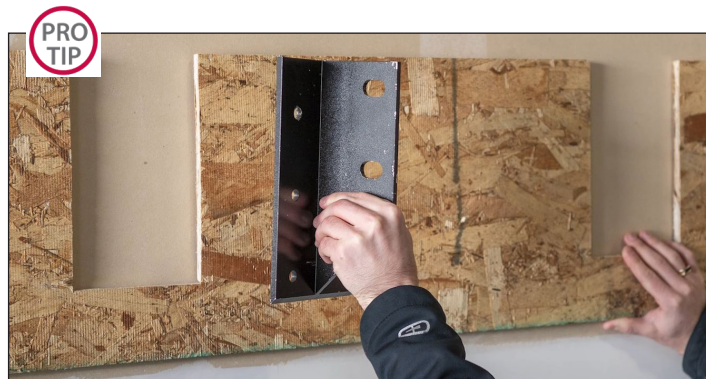
Note: Some balconies may have different measurements, refer to your site specific submittal packet for exact dimensions.



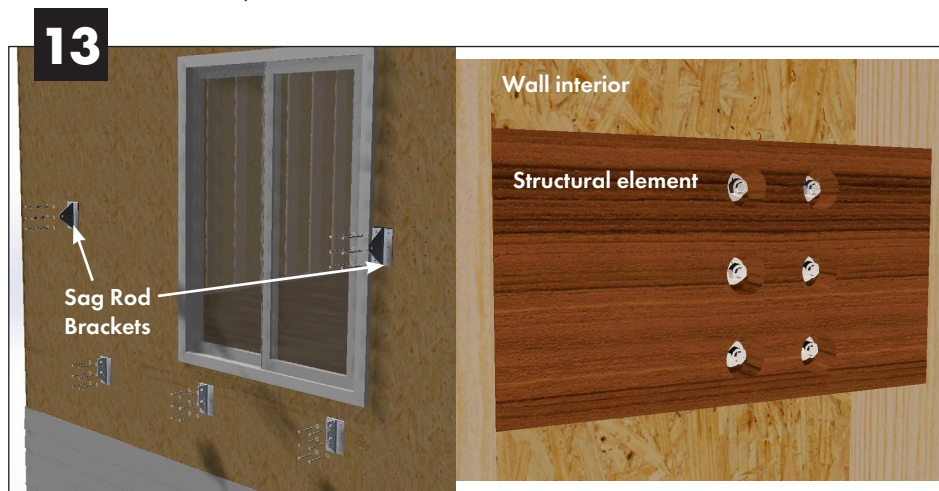
Install sub fascia brackets per submittal dimensions using the supplied hex lags.



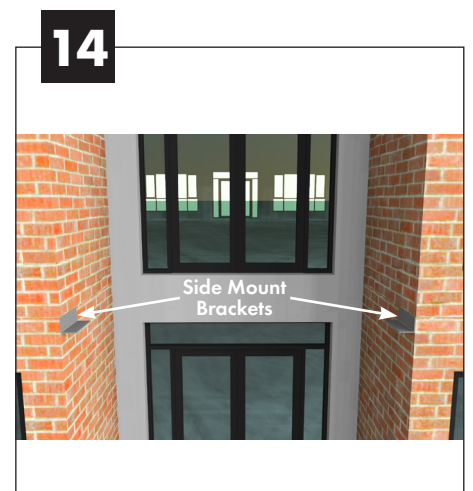
Continue installing sub fascia brackets always referring to your submittal package.



Many installers have found it helpful to create a jig to ensure quicker and consistent bracket placement.



Install one or two sag rod brackets (depending on balcony type) to the building using the supplied hardware called out in your submittal package. The submittal provides the exact dimensions where you will install the sag rod brackets. Ensure brackets are secured to a structural element as per local code jurisdiction.



For Balconies Type 4/5. Install side mount bracket(s) to the building using the supplied hardware called out in your submittal package. The submittal provides the exact dimension where side mount brackets will be installed.

15



Ensure brackets have been installed correctly using the site specific submittal packet.

AFTER verification of correct installation, waterproofing and siding can be installed.

Note: image shows 2ea. sag rod brackets for balcony types 1-3. Types 4-5 will have 1ea sag rod bracket and 1ea. side mount bracket, Type 5 will have 2ea side mount brackets.

Inspection Checklist for Bracket Installation

| | Task | Notes |
|-----------|--|-------|
| 1. | Verify the brackets have been installed correctly according to the submittal packet. | |
| 2. | Sub fascia brackets to wall | |
| 3. | Sag rod brackets to wall, Type 1-4. | |
| 4. | Side mount brackets to wall, Types 4 and 5. | |