

SUNSHADE FRAME INSTALLATION INSTRUCTIONS

Important Note:

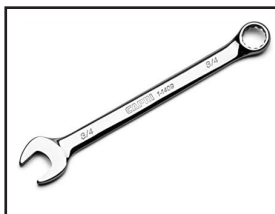
These installation instructions are for use **after** sunshade brackets have been installed. Refer to separate document: ASD Sunshade Bracket Installation Instructions. Every sunshade (both standard and non-standard) has a **site-specific submittal package** for material and installation instruction details. The site-submittal package **MUST** be used to guide all installation steps. If you have further questions, contact your AS&D project manager.

Note: Some larger, or non-standard, sunshades require different hardware and installation methods. Refer to the AS&D submittal package for instructions.

Recommended Tools



1. 9/16" Wrench



2. 3/4" Wrench



3. 11/16" Wrench



4. Impact Gun



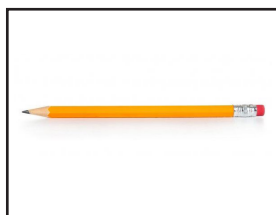
5. 9/16" Socket



6. 3/4" Socket



7. Tape Measure

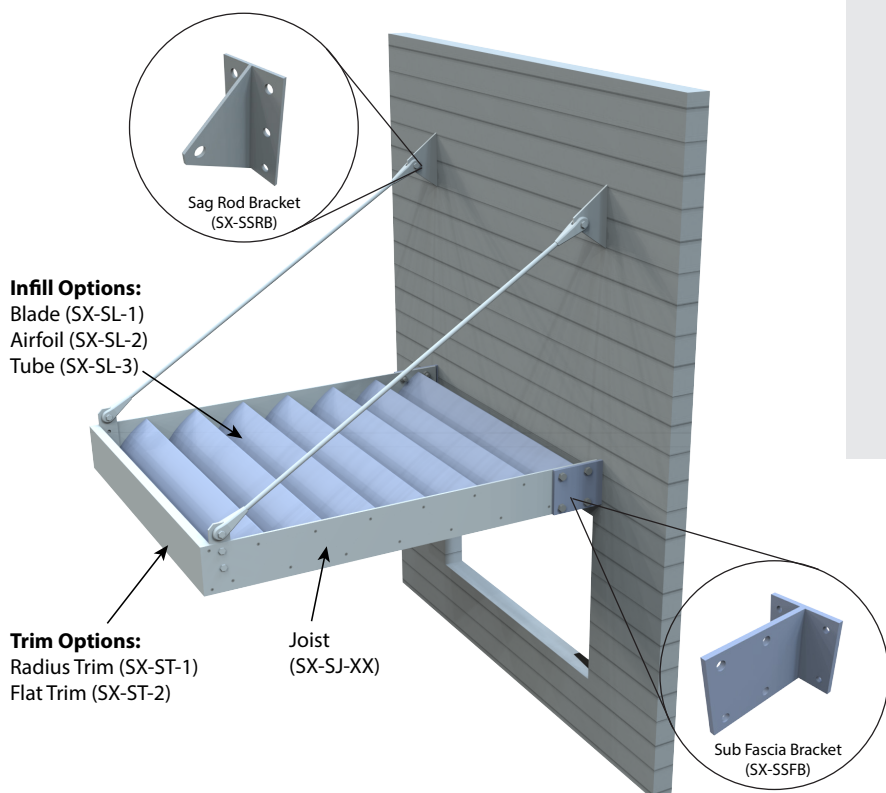


8. Pencil

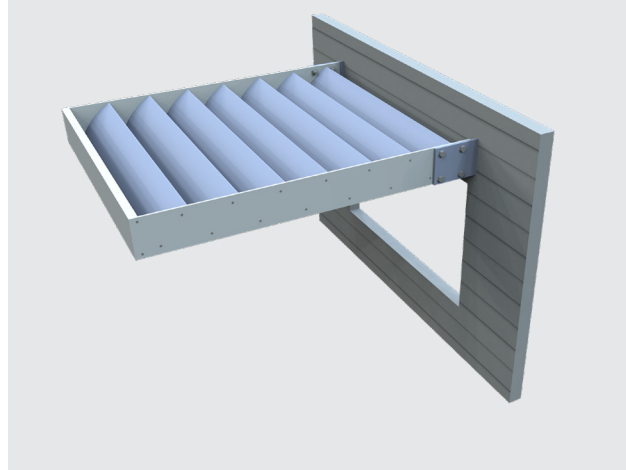


9. Drill with 1/4" bit


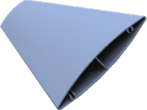
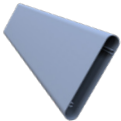
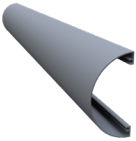
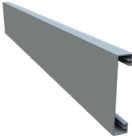


Sunshade Components with Sag Rods and Sub-Fascia Brackets

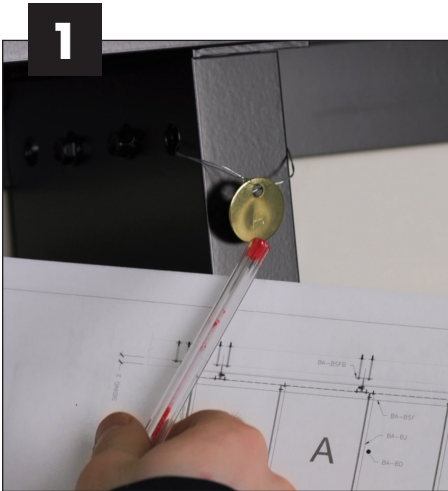


Sunshade with Sub-Fascia Brackets



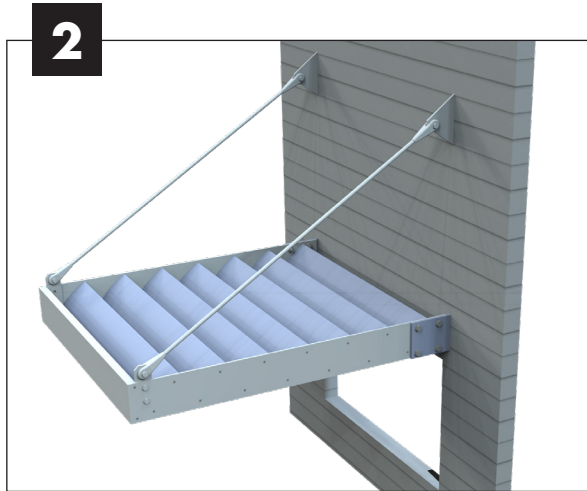
Sunshade Parts Overview

Part	Description	Part No.
Infill Options		
	Blade	SX-SL-1
	Airfoil	SX-SL-2
	Tube	SX-SL-3
Trim Options		
	Radius Trim	SX-ST-1
	Flat Trim	SX-ST-2
Hardware		
	Spacer	SX-SPACER
	Yoke Plate	SX-YP

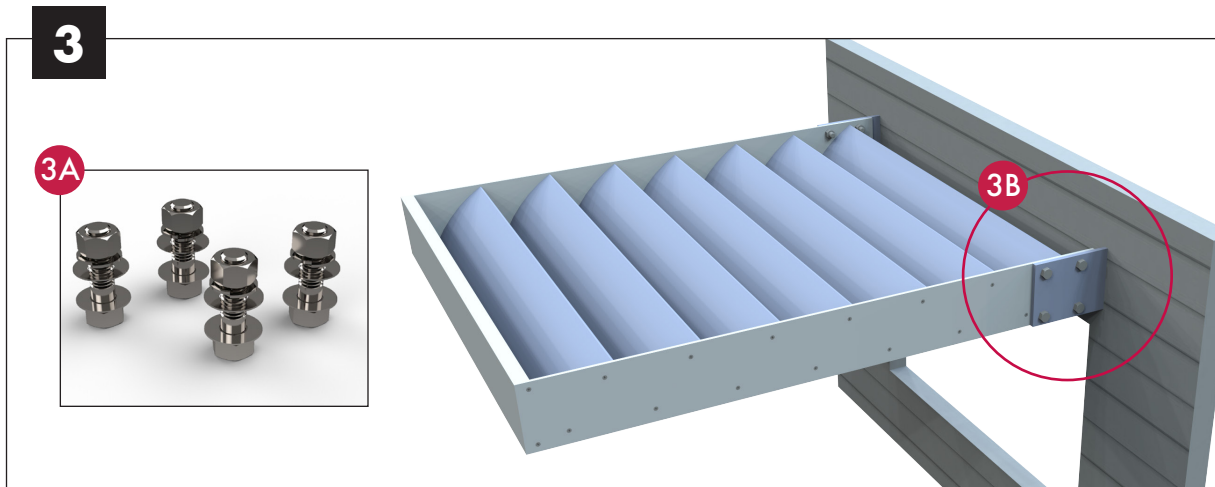


Verify Assemblies vs. Submittal

Using the submittal as your guide, verify that the tags on each sunshade assembly match the width and projections as listed in the submittal document.



If using Sag Rod skip to step SR1.



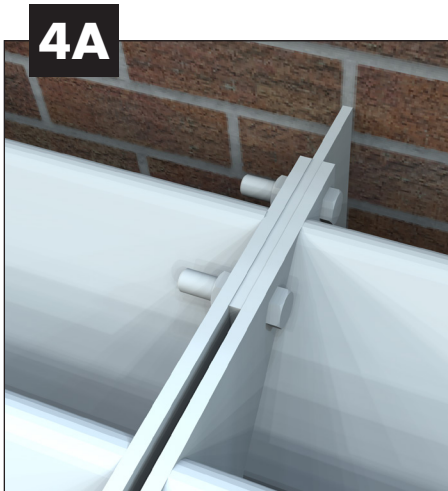
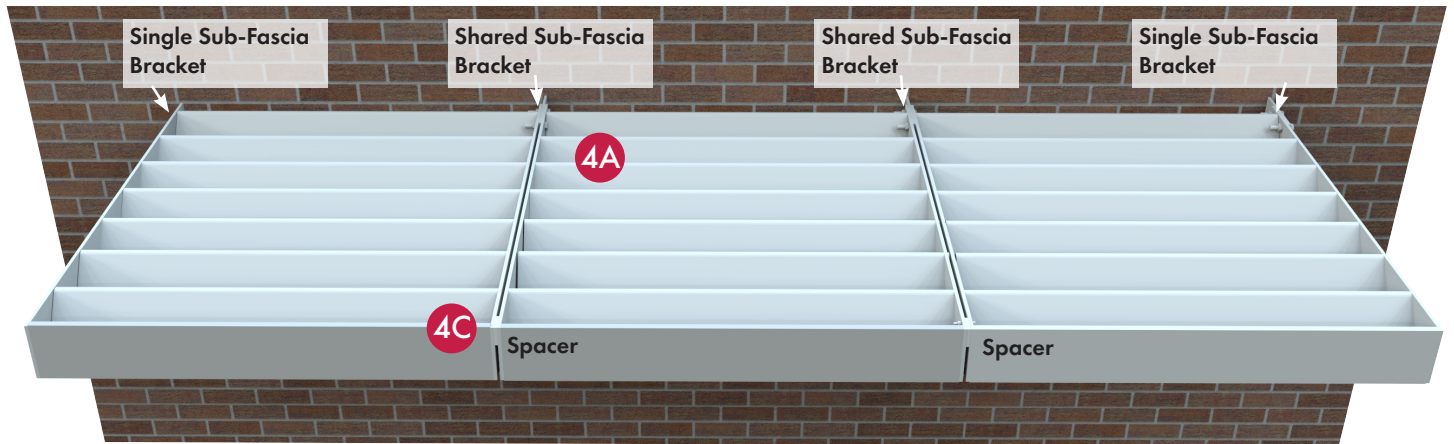
Attach Single Sunshade to Sub-Fascia Brackets

3A. Locate the following hardware to attach the sunshade to the sub-fascia bracket:

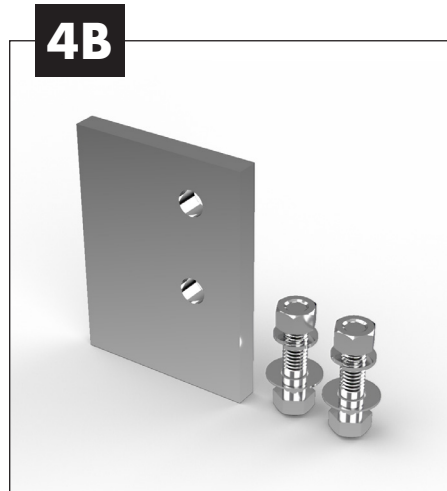
- 4ea. FS-1/2-13x1.75-HEXBOLT-18-8 (Per side)
- 4ea. FS-1/2-NUT (Per side)
- 4ea. FS-1/2-13LOCKWASHER-18-8 (Per side)
- 8ea. FS-1/2FLATWASHER-18-8 (Per side)

3B. Hoist sunshade to designated location as per submittal. Align the sunshade joists to the previously installed sub-fascia brackets on the building. Locate the four predrilled holes (per side) on the joist and four predrilled holes (per side) on the pre-installed sub-fascia brackets. Attach using the designated hardware. Repeat this process for all joists.

Multiple Sunshade Frame Installation



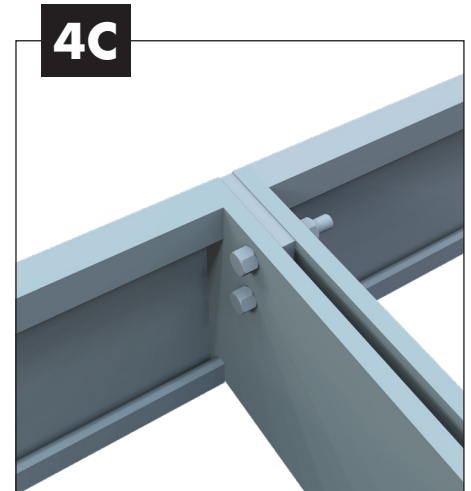
Attach two sunshades with a single bracket and corresponding hardware. See step 3 for hardware.



Gather all Sunshade Spacers and corresponding hardware:

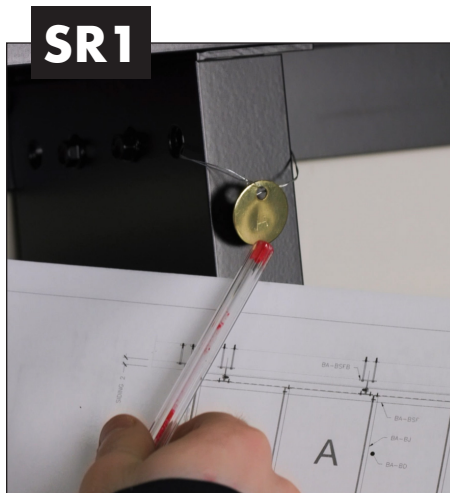
- 1 ea. SX-SPACER
- 2ea. FS-3/8-13x1.50-HEXBOLT-18-8
- 2ea. FS-3/8-NUT
- 2ea. FS-3/8-13LOCKWASHER-18-8
- 4 ea. FS-3/8FLATWASHER-18-8

For sag rod see step SR7.



Locate the two predrilled holes near the front on the joists and two predrilled holes on the spacers. Attach using the designated hardware. Repeat this process as per the submittal.

Sag Rod Installation



Verify Assemblies vs. Submittal

Using the submittal as your guide, verify that the tags on each sunshade assembly match the width and projections as listed in the submittal document.



Sag Rod Installation and Hardware

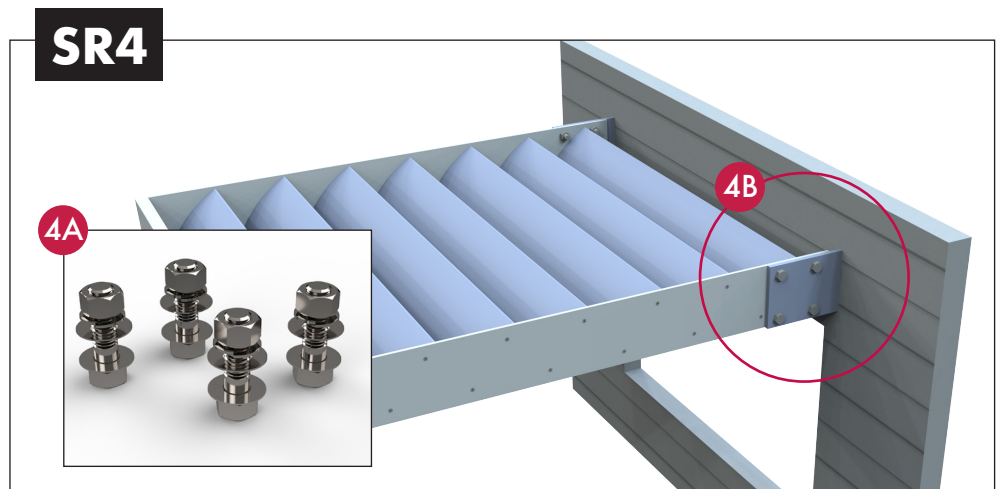
Locate the sag rods and corresponding hardware that will be installed. Each sag rod is labeled to a corresponding sunshade per the AS&D submittal.

- 1 ea. BA-BSR
- 1 ea. FS-5/8-11x1.75HEXBOLT-18-8
- 1 ea. FS-5/811THINNYLONLOCNUT-18-8



Install Sag Rod

Using the designated hardware attach sag rods to the previously installed sag rod brackets on the building.

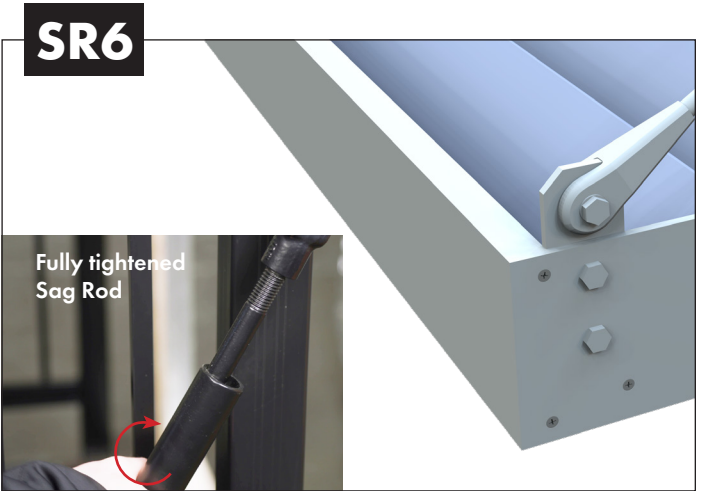
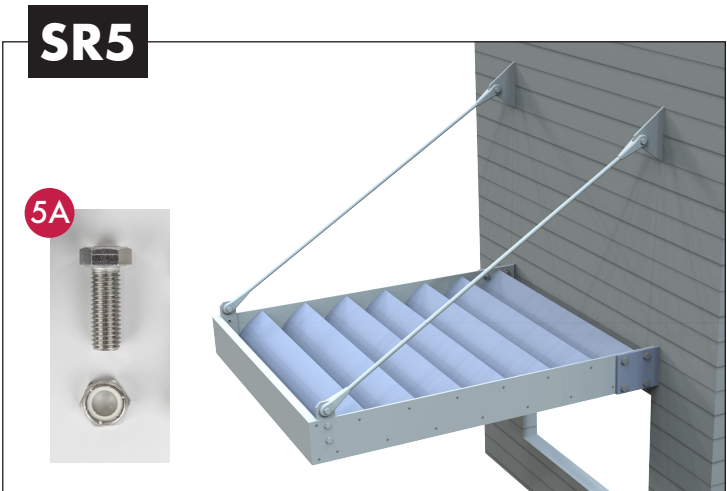


Attach Single Sunshade to Sub-Fascia Brackets

4A. Locate the following hardware to attach the sunshade to the sub-fascia bracket:

- 4ea. FS-1/2-13x1.75-HEXBOLT-18-8 (Per side)
- 4ea. FS-1/2-NUT (Per side)
- 4ea. FS-1/2-13LOCKWASHER-18-8 (Per side)
- 8ea. FS-1/2FLATWASHER-18-8 (Per side)

4B. Hoist sunshade to designated location as per submittal. Align the sunshade joists to the previously installed sub-fascia brackets on the building. Locate the four predrilled holes (per side) on the joist and four predrilled holes (per side) on the pre-installed sub-fascia brackets. Attach using the designated hardware. Repeat this process for all joists.

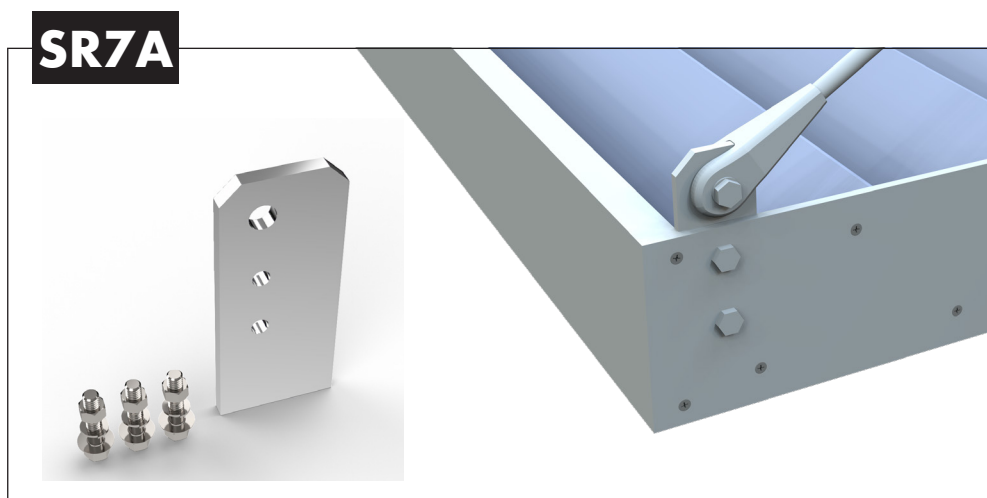


5A. Locate the following hardware to attach the sunshade to the sag rods:
1 ea. FS-5/8-11x1.75HEXBOLT-18-8
1 ea. FS-5/811THINNYLONLOCNUT-18-8

Connect Sag Rods to Trim
Connect and fully tighten sag rod to sunshade yoke plate using the designated hardware. Continue installing the sag rods to the sunshade yoke plate as per the submittal.

SR7 Multiple Sunshade Installation with Sag Rod

Follow step 4A on page 4, then see step below for yoke plate spacer and sag rod installation.



Sag Rod Installation

If using a sag rod in between sunshades install the provided Yoke Plate with a predrilled hole for a sag rod attachment. Then follow the instructions in step SR6 to attach the sag rod to the spacer.

Inspection Checklist for Sunshade Installation

Verify the following:

All bolts and fasteners are properly installed. Check that all connections to the building are tight and secure, and all connections between the brackets and sunshades assembly match the submittal document. Ensure the following three connections are tight and secure.

	Task	Notes
1.	Sag rod to Sunshade and to wall	
2.	Sub-fascia bracket to sunshade and to wall	
3.	Spacer to sunshade	