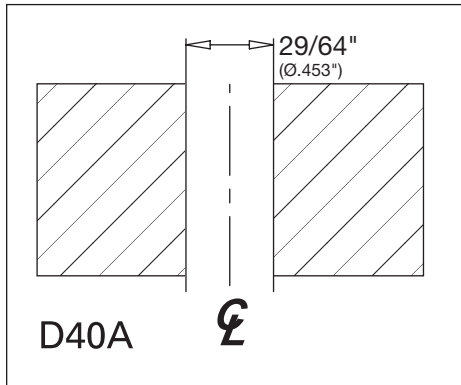


BORING INSTRUCTIONS

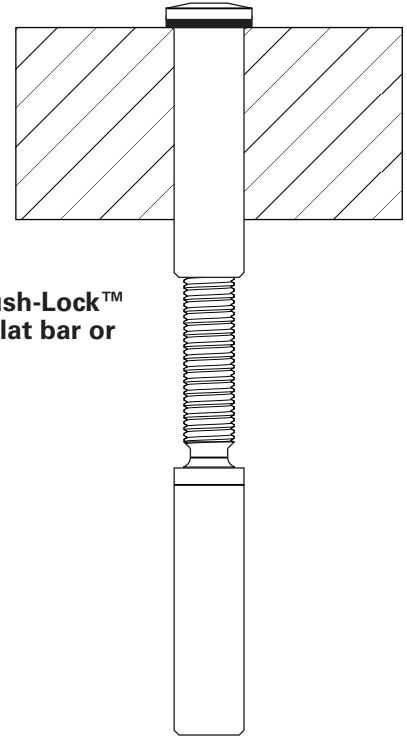
RECEIVER WITH PUSH-LOCK™ STUD FITTINGS

Used with flat bar or steel plate.

Cable Dia: 1/8" and 3/16"



Receiver with Push-Lock™ Stud used with flat bar or steel plate.

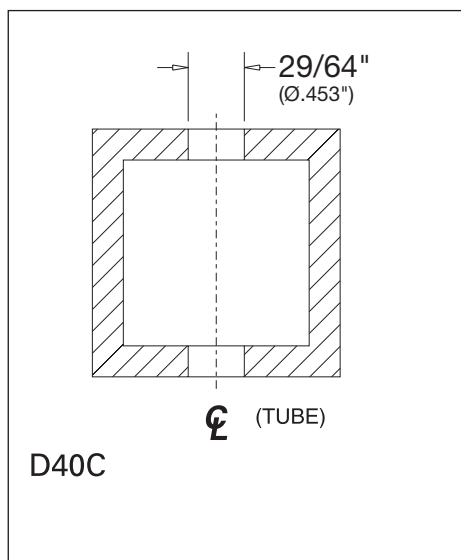


RECEIVER WITH PUSH-LOCK™ STUD FITTINGS

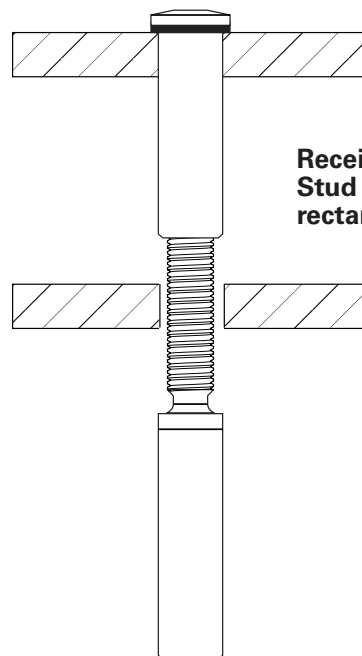
Used with square or rectangular tubing.

We recommend a minimum 1/4" wall.

Cable Dia: 1/8" and 3/16"



Receiver with Push-Lock™ Stud used with square or rectangular tubing.

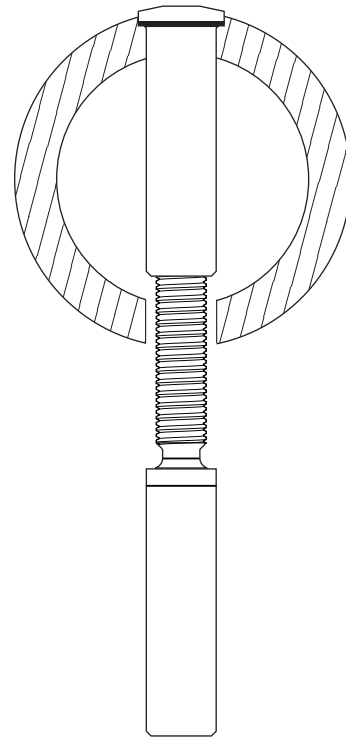
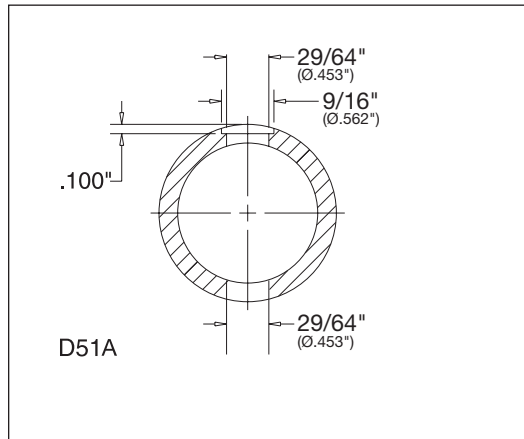


BORING INSTRUCTIONS

RECEIVER WITH PUSH-LOCK™ STUD FITTINGS

Used with minimum SC80 1-1/4" or larger round pipe or round steel tubing with comparable dimensions.

Cable Dia: 1/8" and 3/16"



Receiver with Push-Lock™ Stud used with round pipe or tubing.