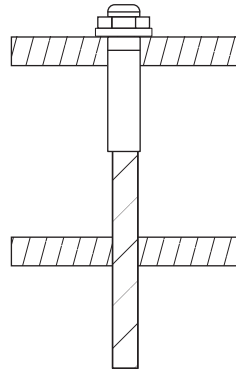
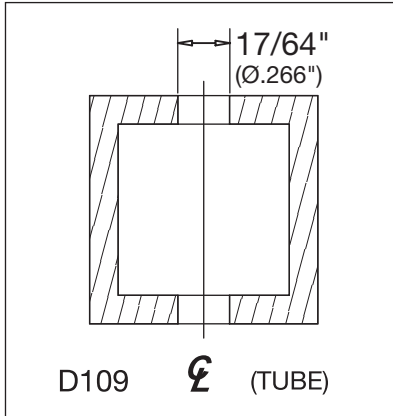


BORING INSTRUCTIONS

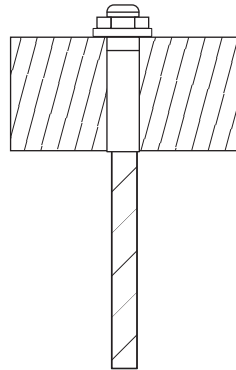
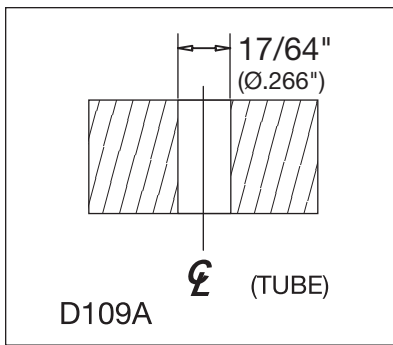
INVISIWARE® CLIP-ON STOP

Used with square or rectangular structural steel tubing.
We recommend a minimum 1/4" wall.



Invisiware® Clip-on Stop with square or rectangular structural steel tubing.

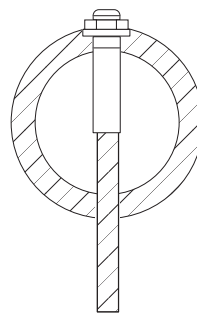
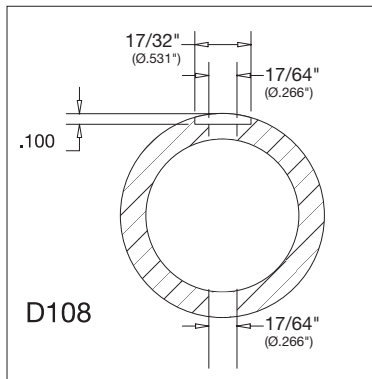
Used with flat bar.



Invisiware® Clip-on Stop with flat bar.

Used with minimum SC80 round pipe or round steel tubing.

If using round steel tubing, wall thickness should be at least comparable to schedule 80 pipe.



Invisiware® Clip-on Stop with round pipe or steel tubing.