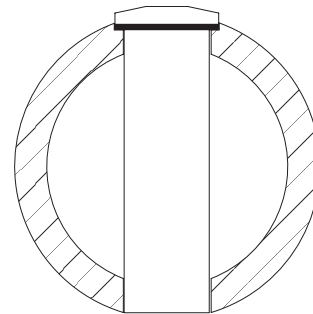
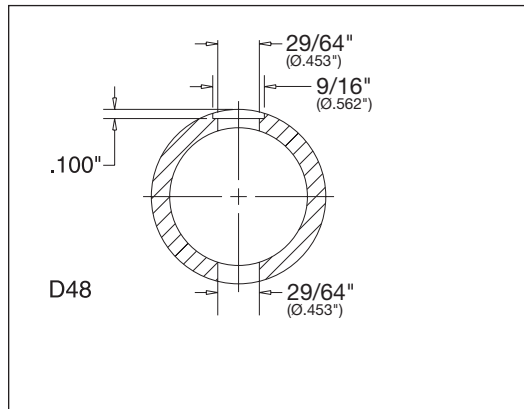


BORING INSTRUCTIONS

PUSH-LOCK™ and PULL-LOCK™ STOP-END FITTINGS

Used with minimum SC80 1-1/4" round pipe or round steel tubing with comparable dimensions.

Cable Dia: 1/8" and 3/16"

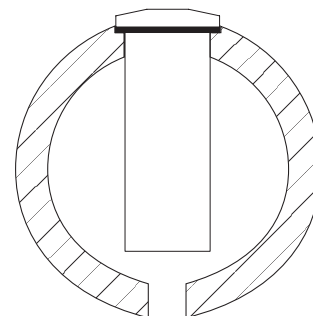
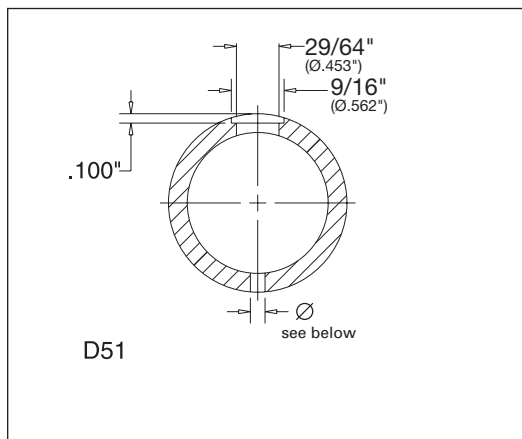


Push-Lock™ or Pull-Lock™ fitting used with round pipe or tubing.

PUSH-LOCK™ and PULL-LOCK™ STOP-END FITTINGS

Used with minimum SC80 1-1/2" or larger round pipe or round steel tubing with comparable dimensions.

Cable Dia: 1/8" and 3/16"



Push-Lock™ or Pull-Lock™ fitting used with 1-1/2" or larger diameter round pipe or comparable tubing.

Cable Diameter	Hole Diameter
1/8"	5/32" (.156")
3/16"	7/32" (.218")
with grommet installed	1/4" (.250")