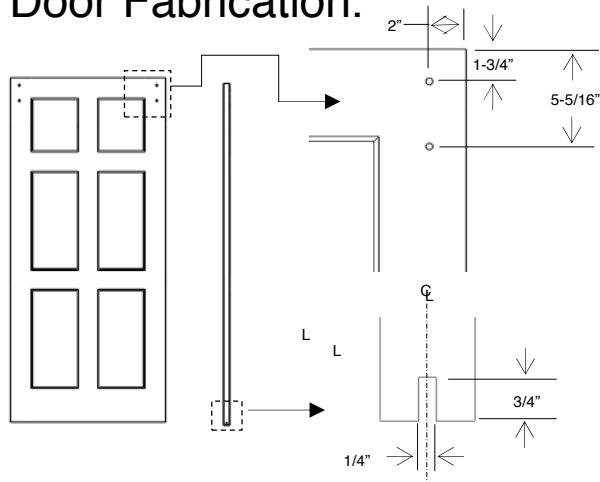
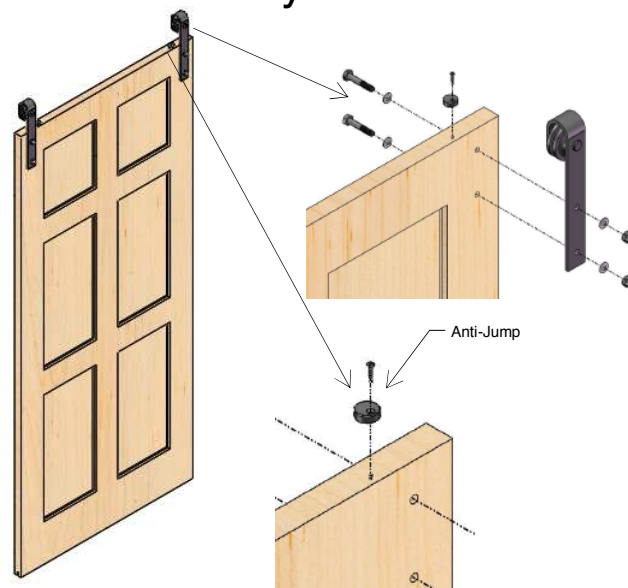


## 1. Door Fabrication.



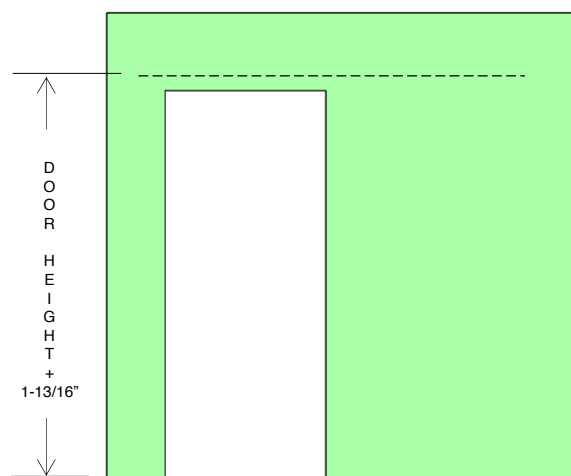
- A. Drill four (4) 3/8" holes at the top of the door. Two on each side as indicated.
- B. Cut a slot down the center of the door as indicated.

## 2. Door Assembly.



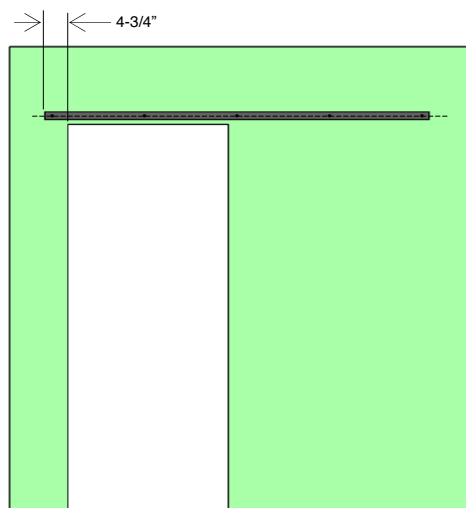
- A. Assemble the rollers as shown.
- B. Drill two (2) 3/32" pilot holes approximately 1/2" deep, 5/16" from the front of the door and 4" in from each side and attach the anti-jumps as shown.

## 3. Track Installation.



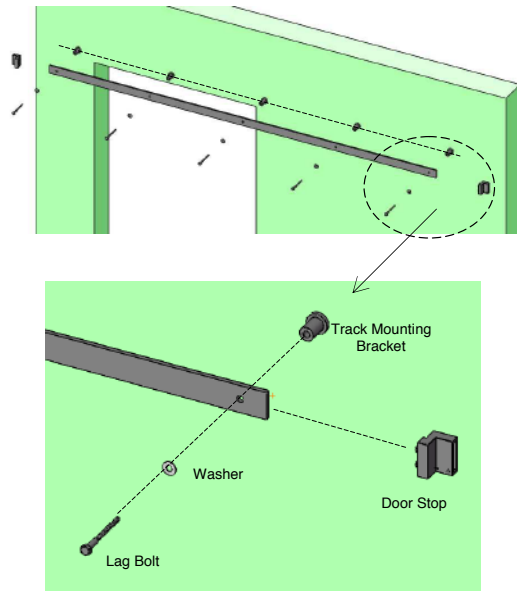
- A. Measure from the finished floor the door height plus 1-13/16" and draw a line. (Example: Door height 80" + 1-13/16" = 81-13/16").

## 4. Track Installation (Cont.)



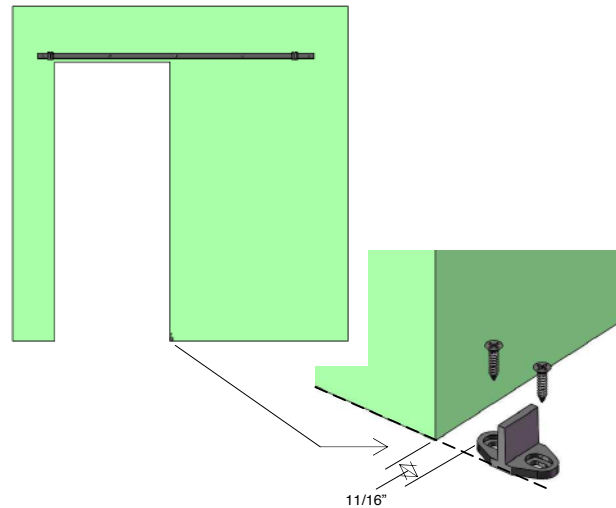
- A. Place the track on the line as shown and transfer the hole locations from the track to the wall.
- B. The holes are to be centered on the line and in some cases, due to blocking, wall anchors may be required.

### 5. Track Installation (Cont.)



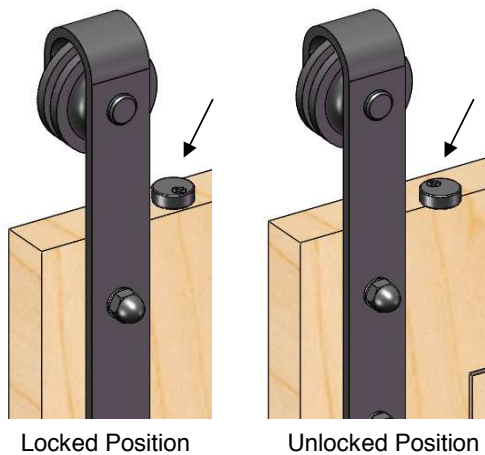
A. Install the track as shown.

### 6. Bottom Door Guide Installation.



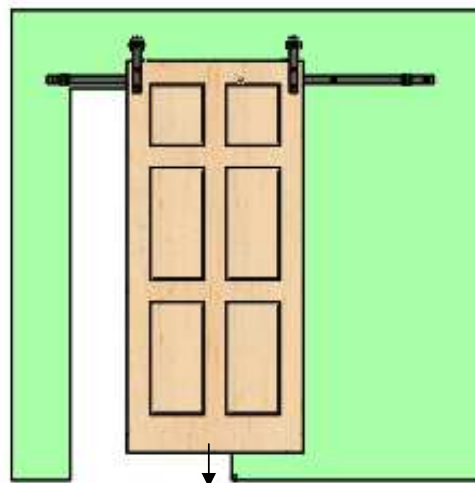
A. Install the bottom door guide as shown.

### 7. Door Installation.



A. Rotate the anti-jump feature as shown. This disengages the anti-jump and allows the rollers to engage the track.

### 8. Door Installation (Cont.)



- A. Position the door over the bottom floor guide and slowly lower the door into place.
- B. Engage the rollers with the track and adjust the anti-jumps to the locked position.
- C. Adjust the door stops as needed.