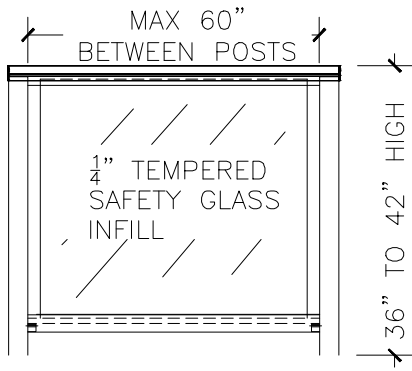
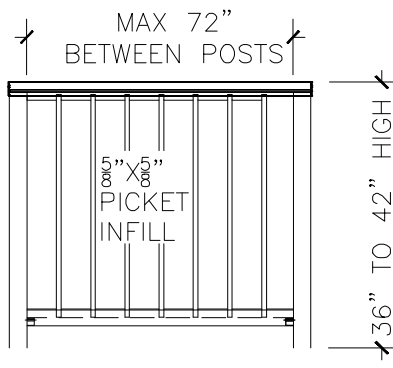


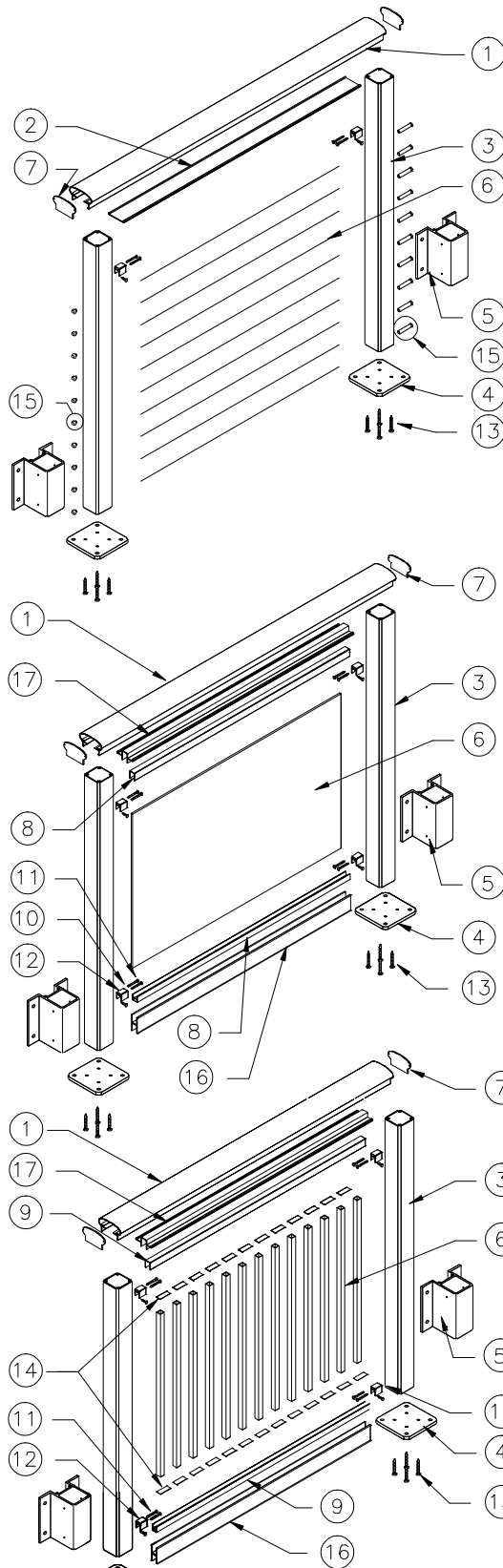
RAIL W/CABLE INFILL



RAIL W/GLASS INFILL



RAIL W/PICKET INFILL



\*NOTES\*

- ① TR999 TOP RAIL (6005-T5)
- ② TOP RAIL FLAT INFILL FOR CABLE (6005-T5)
- ③ 2 3/8" x 2 3/8" POST (6005-T5)
- ④ 5" x 5" x 3/8" BASE PLATE (6005-T5)
- ⑤ FMPD 1" OFFSET FASCIA BRACKET
- ⑥ INFILL: CABLE, 1/4" TEMPERED SAFETY GLASS OR PICKET
- ⑦ TR999 END CAP
- ⑧ GU5 VINYL CHANNEL (GLASS)
- ⑨ PU5 VINYL CHANNEL (PICKET)
- ⑩ RCB1 RAIL CONNECTING BLOCK (6005-T5)
- ⑪ #10 X 1.5 SS PH SMS
- ⑫ #10 X .75 SS PH SMS
- ⑬ #14 X 1.5 SS FH SMS
- ⑭ SP41 PICKET SPACERS (6005-T5)
- ⑮ CABLE END TERMINATIONS AS NEEDED
- ⑯ BR100 BOTTOM RAIL (6005-T5)
- ⑰ TOP RAIL INFILL FOR GLASS AND PICKET (6005-T5)

INFILL TYPE

- CABLE
- GLASS
- PICKET

MOUNTING STYLE

- SURFACE
- FASCIA

RAIL HEIGHT

- 42 IN.
- 36 IN.

DRAWING #		SUBMITTAL		AMERICAN STRUCTURES & DESIGN INC.	
APPROVAL		JOB #		218 STEWART RD. SE, PACIFIC, WA 98047	
REVISION #		PHONE		PRE <sup>3</sup> 999 SERIES ALUM. RAIL	
		253 833-4343		SCALE	
		FAX #		DATE	
		253 833-4545			
<a href="http://americanstructures.com">http://americanstructures.com</a>					