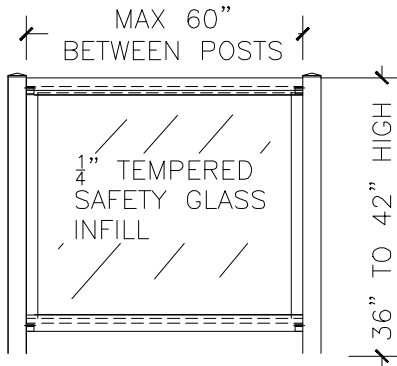
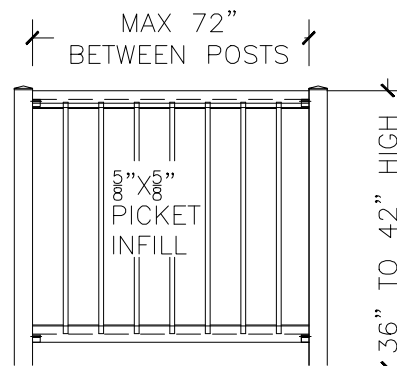


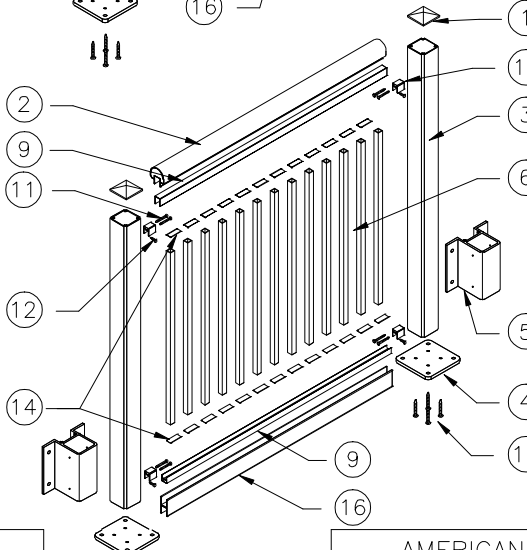
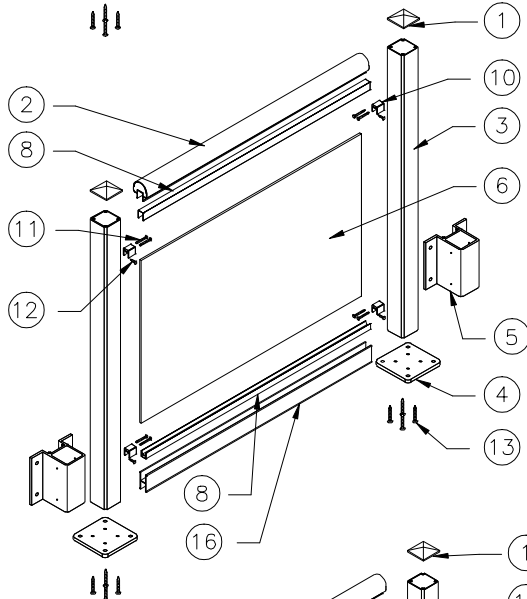
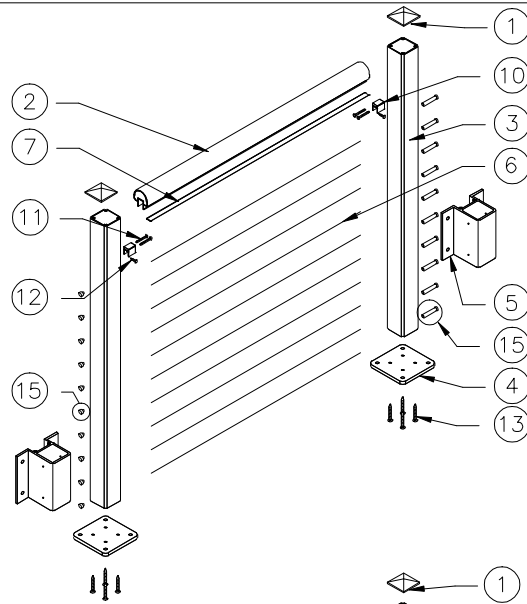
RAIL W/CABLE INFILL



RAIL W/GLASS INFILL



RAIL W/PICKET INFILL



\*NOTES\*

- ① POST CAP (6005-T5)
- ② TR100 TOP RAIL (6005-T5)
- ③ 2 $\frac{3}{8}$ "x2 $\frac{3}{8}$ " POST (6005-T5)
- ④ 5"x5"x $\frac{3}{8}$ " BASE PLATE (6005-T5)
- ⑤ FMPD 1" OFFSET FASCIA BRACKET
- ⑥ INFILL: CABLE,  $\frac{1}{4}$ " TEMPERED SAFETY GLASS OR PICKET
- ⑦ SPE2 PICKET SPACER EXTRUSION
- ⑧ GU5 VINYL CHANNEL (GLASS)
- ⑨ PU5 VINYL CHANNEL (PICKET)
- ⑩ RCB1 RAIL CONNECTING BLOCK (6005-T5)
- ⑪ #10 X 1.5 SS PH SMS
- ⑫ #10 X .75 SS PH SMS
- ⑬ #14 X 1.5 SS FH SMS
- ⑭ SP41 PICKET SPACERS (6005-T5)
- ⑮ CABLE END TERMINATIONS AS NEEDED
- ⑯ BR100 BOTTOM RAIL (6005-T5)

INFILL TYPE

- CABLE
- GLASS
- PICKET

MOUNTING STYLE

- SURFACE
- FASCIA

RAIL HEIGHT

- 42 IN.
- 36 IN.

DRAWING #	SUBMITTAL	
APPROVAL	JOB #	PHONE
REVISION #		253 833-4343
		FAX #
		253 833-4545

AMERICAN STRUCTURES & DESIGN INC.	
218 STEWART RD. SE, PACIFIC, WA 98047	
PRE <sup>3</sup> 100 SERIES ALUM. RAIL	
SCALE	DATE
<a href="http://americanstructures.com">http://americanstructures.com</a>	