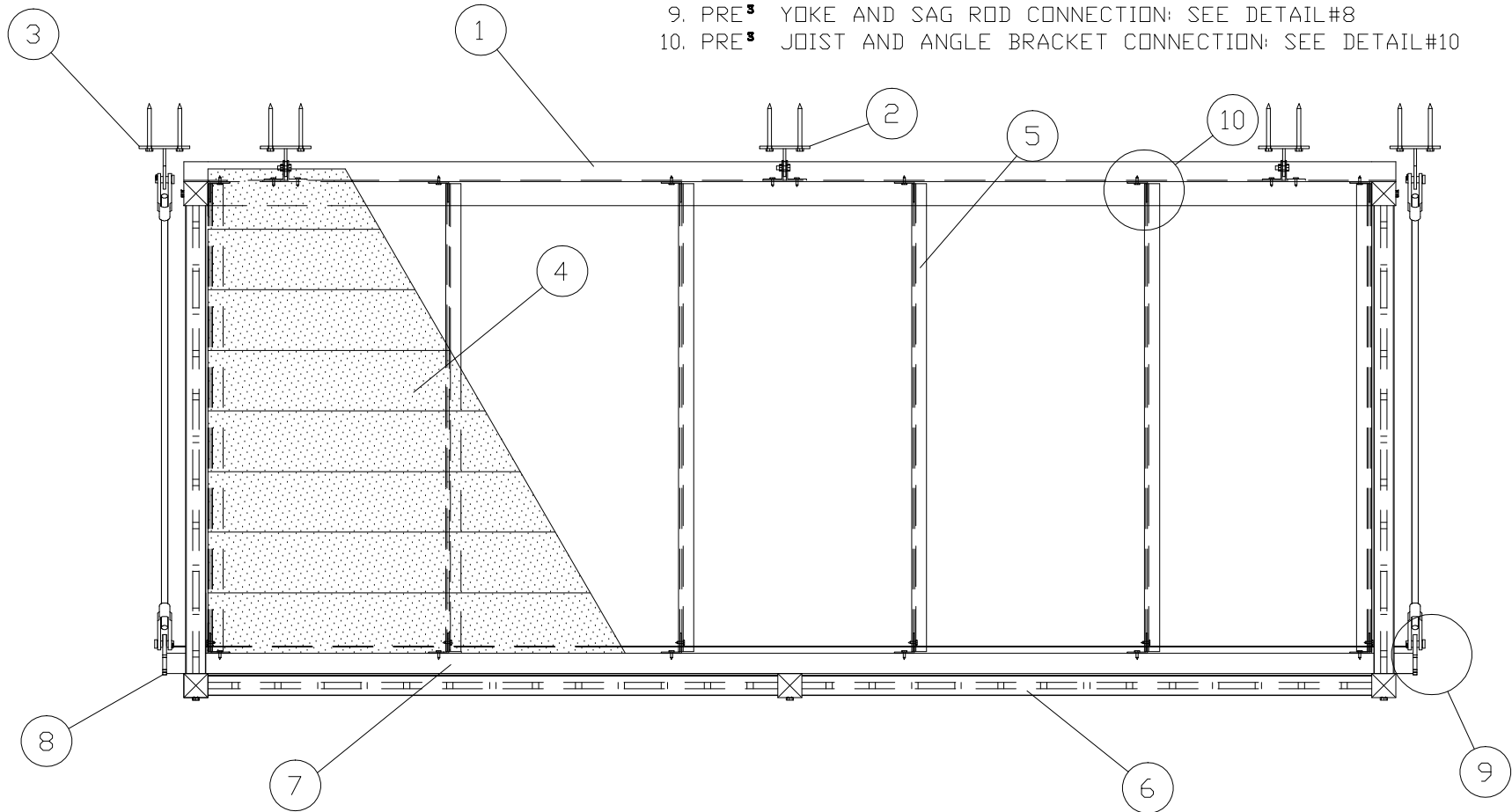
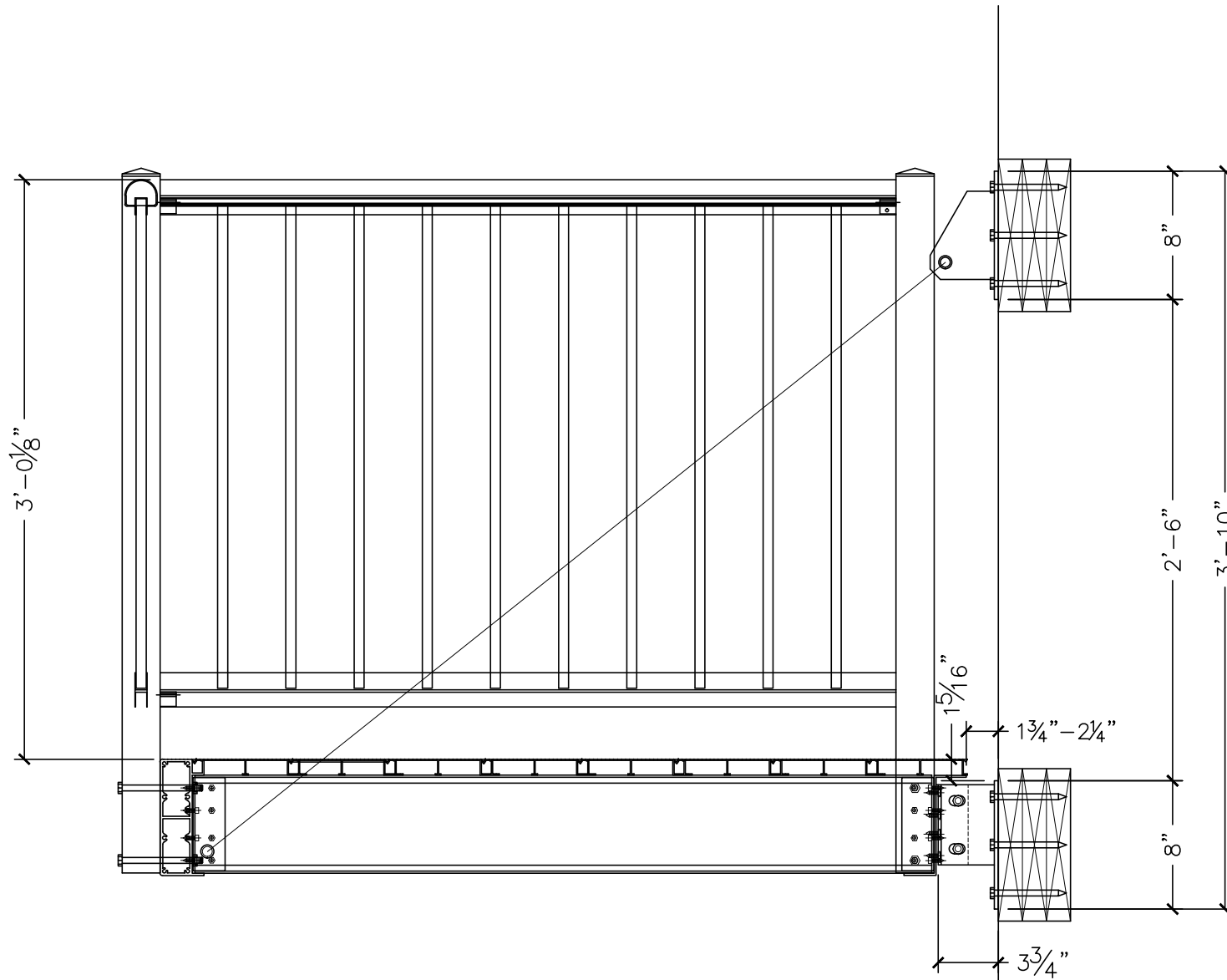


1. PRE³ SUB-FASCIA: SEE DETAIL#7
2. PRE³ SUB FASCIA BRACKET: SEE DETAIL#3
3. PRE³ SAG ROD BRACKET: SEE DETAIL#4
4. PRE³ ALUMINUM DECKING: SEE DETAIL#2
5. PRE³ DECK JOIST: SEE DETAIL#5
6. PRE³ 42" HIGH ALUM RAILING:
7. PRE³ FRONT DECK FASCIA: SEE DETAIL#1
8. PRE³ YOKE PLATE: SEE DETAIL#6
9. PRE³ YOKE AND SAG ROD CONNECTION: SEE DETAIL#8
10. PRE³ JOIST AND ANGLE BRACKET CONNECTION: SEE DETAIL#10

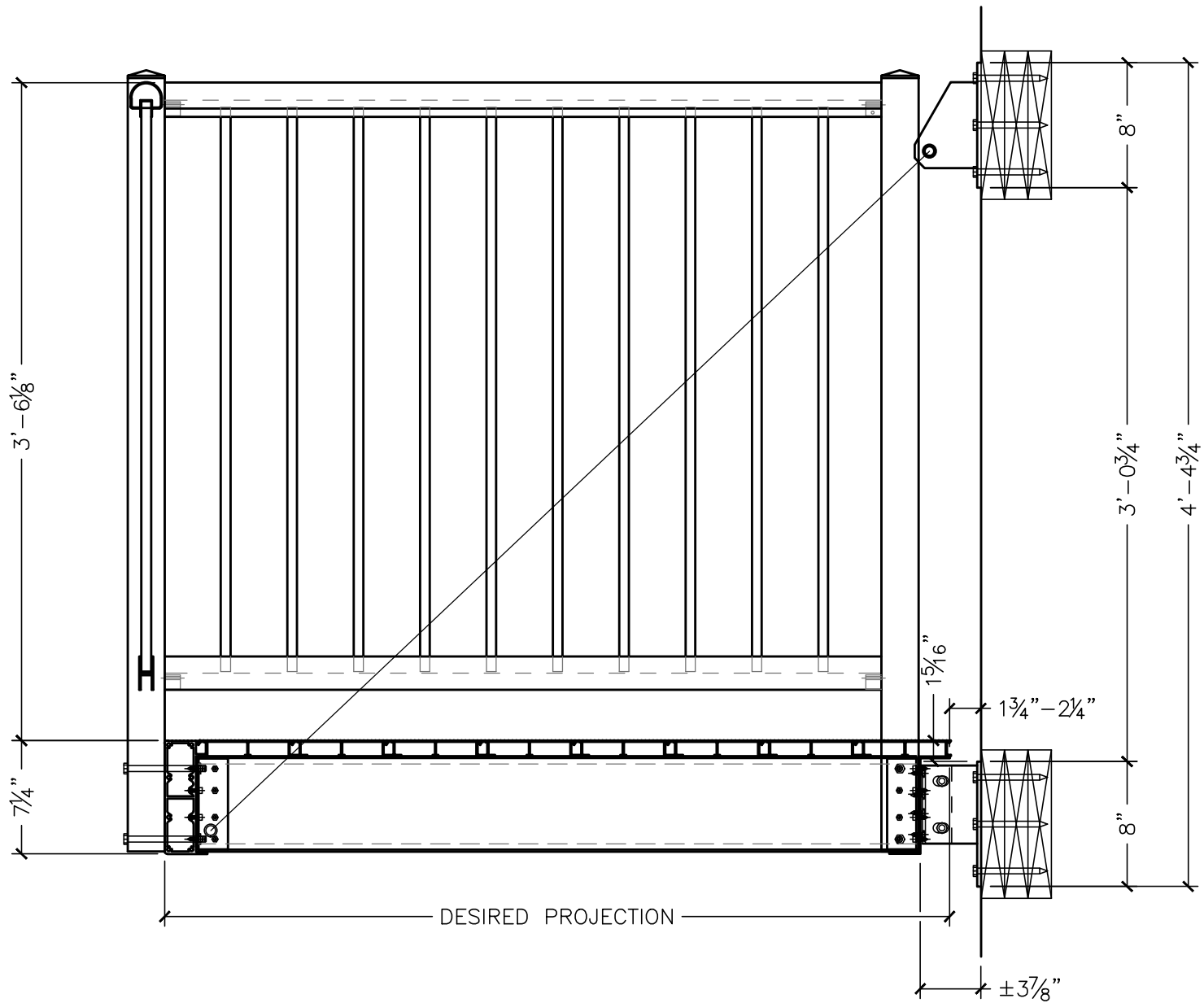


PLAN VIEW TYPICAL DECK

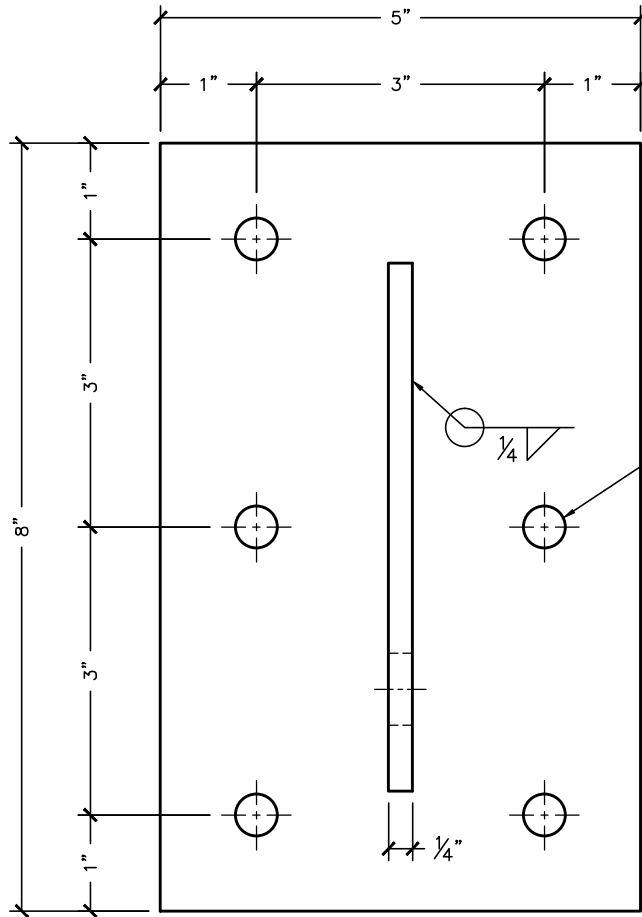
CLIENT NAME: AMERICAN STRUCTURES AND DESIGN INC.		SALE REPRESENTATIVE		AMERICAN STRUCTURES & DESIGN INC. 218 STEWART RD SE PACIFIC WA. 98047	
APPROVAL	JOB #	PHONE	253 833-4343	PRODUCT NAME	
REVISION #	DRAWING #	FAX #	253 833-4545	PRE ³ ALUMINUM BALCONY SYSTEM	
	2	http://americanstructures.com		2 OF 14	SCALE N/S
					DATE 3-12-13



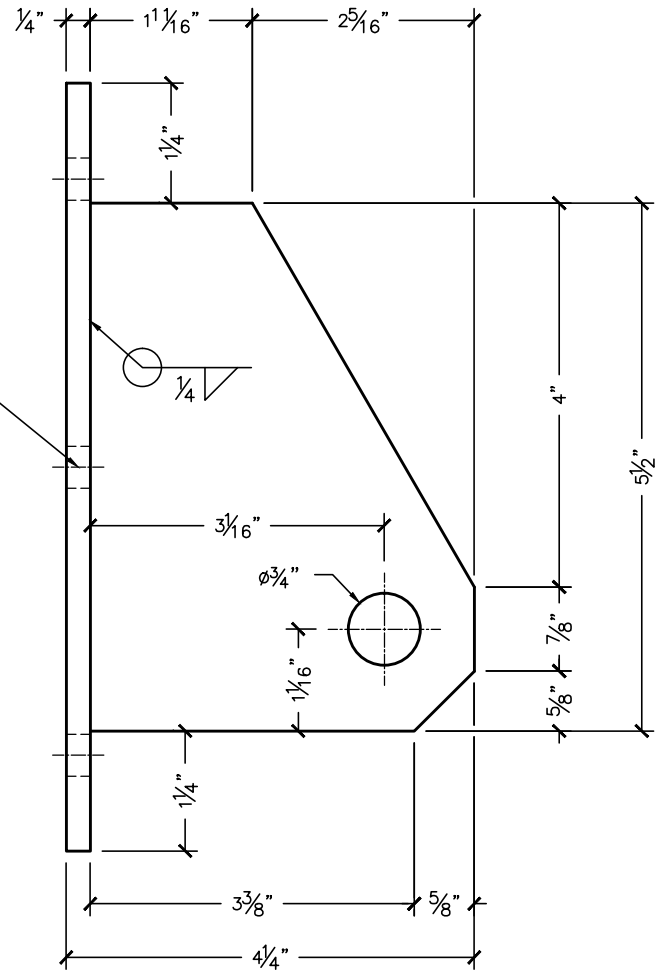
CLIENT NAME		SALE REPRESENTATIVE MARK WEISSENBUHLER		AMERICAN STRUCTURES & DESIGN INC. 218 STEWART RD SE PACIFIC, WA 98047	
APPROVAL		JOB #		PHONE 253 833-4343	
REVISION #		DRAWING #		FAX # 253 833-4545	
				DECK MOUNTING DIM. TYPICAL FOR 36" RAIL	
				http://americanstructures.com	
				SCALE	
				DATE 2. 12. 2014	



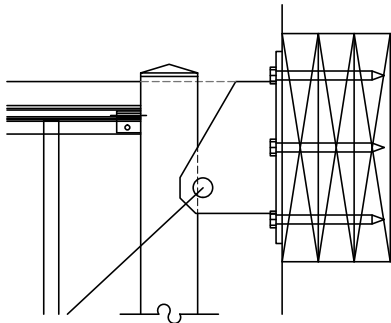
CLIENT NAME		SALE REPRESENTATIVE MARK WEISSENBUHLER		AMERICAN STRUCTURES & DESIGN INC. 218 STEWART RD SE PACIFIC, WA 98047	
APPROVAL		JOB #		PHONE 253 833-4343	
REVISION #		DRAWING		FAX # 253 833-4545	
-		J.Vissek		DECK MOUNTING DIM. TYPICAL FOR 42" RAIL	
				SCALE 1 : 10	
				DATE 3. 31. 2014	
				http://americanstructures.com	



(6) $\frac{7}{16}$ " HOLES FOR
 $\frac{3}{8}$ "X5" LAGS TYPICAL



SIDE ELEVATION



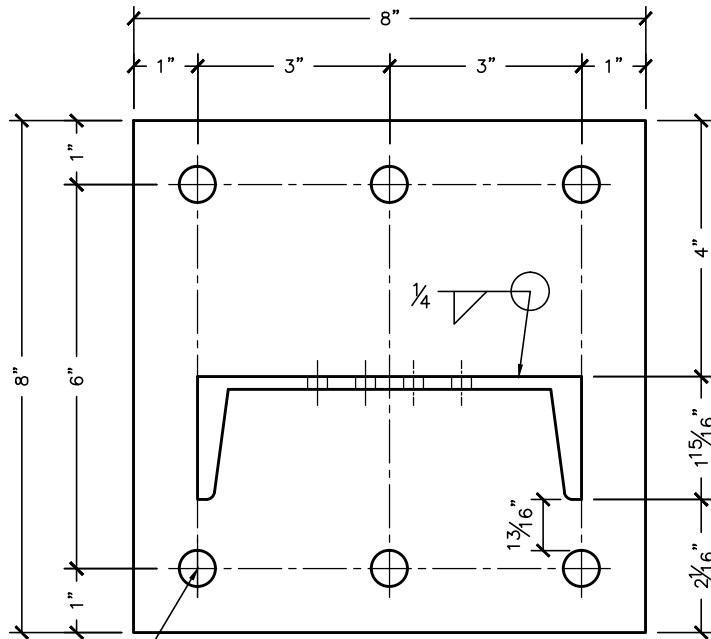
FRONT ELEVATION

- (6) $\frac{3}{8}$ " x 5" LAG SCREWS OR
- (6) $\frac{3}{8}$ " THRU BOLTS OR
- (6) $\frac{3}{8}$ " x $\frac{3}{2}$ " EXPANSION ANCHORS

NOTE:
SAG ROD BRACKET IS
FABRICATED FROM COLD
FORMED $\frac{1}{4}$ " STEEL

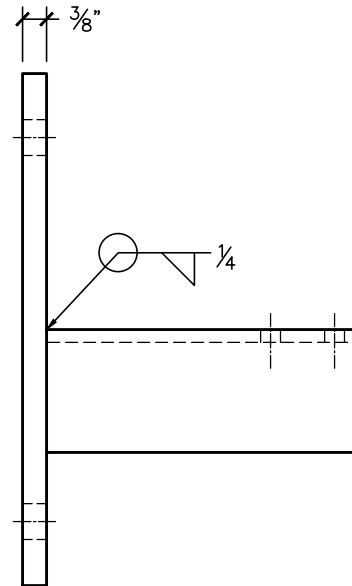
TOP OF THE BRACKET FLASH
WITH TOP OF THE RAILING.
DECK CONNECTION TYPICAL
SCALE 1 : 8

CLIENT NAME		SALE REPRESENTATIVE MARK WEISSENBUHLER		AMERICAN STRUCTURES & DESIGN INC. 218 STEWART RD SE PACIFIC, WA 98047	
APPROVAL		JOB #		PHONE 253 833-4343	
REVISION #		DRAWING #		FAX # 253 833-4545	
-				PRE ³ SAG ROD BRACKET	
				SCALE 1 : 2	
				DATE	
				http://americanstructures.com	

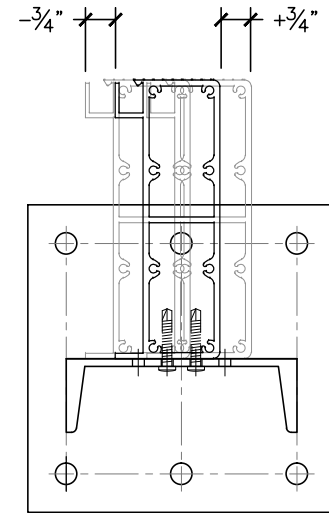


(6) $\phi 5/16$ " HOLES FOR $1/2$ " ATTACHMENT TYPICAL

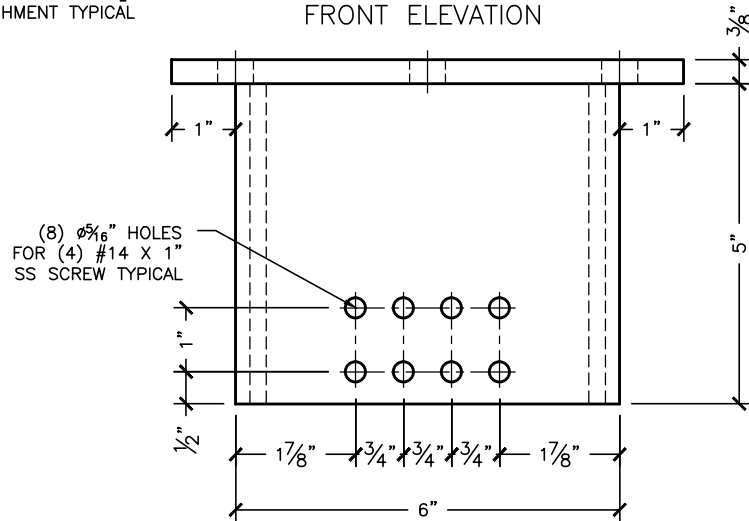
FRONT ELEVATION



SIDE ELEVATION



FASCIA WILL BE ATTACH TO SIDE BRACKET WITH (4) #14 X 1.5" S.S. SCREWS ADJUST $\pm 3/4$ " FROM CENTER MOUNTING DETAIL SCALE 1 : 5



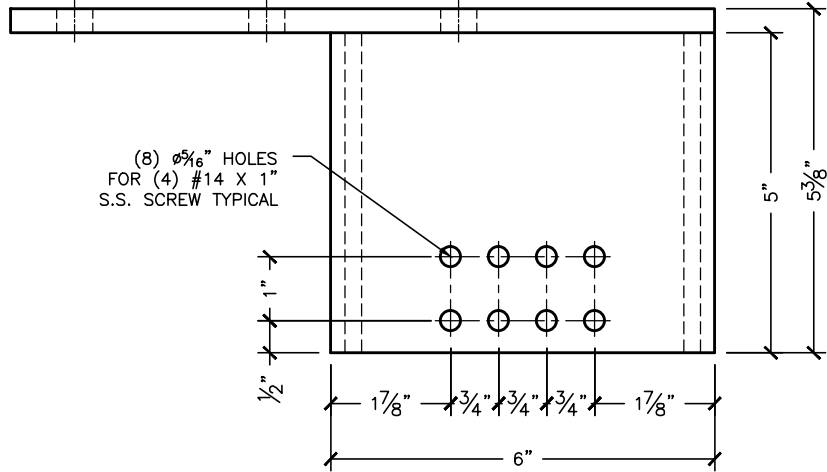
(8) $\phi 5/16$ " HOLES FOR (4) #14 X 1" SS SCREW TYPICAL

TOP VIEW

NOTE:
BRACKET IS FABRICATED FROM
HOT OR COLD FORMED $3/8$ " STEEL PLATE AND
CHANNEL C6X8.2 - Standard A572 Grade 50

- (6) $\phi 1/2$ " x $4 1/2$ " LAG SCREWS OR
- (6) $\phi 1/2$ " x THRU BOLTS OR
- (6) $\phi 1/2$ " x $3 1/2$ " EXPANSION ANCHORS

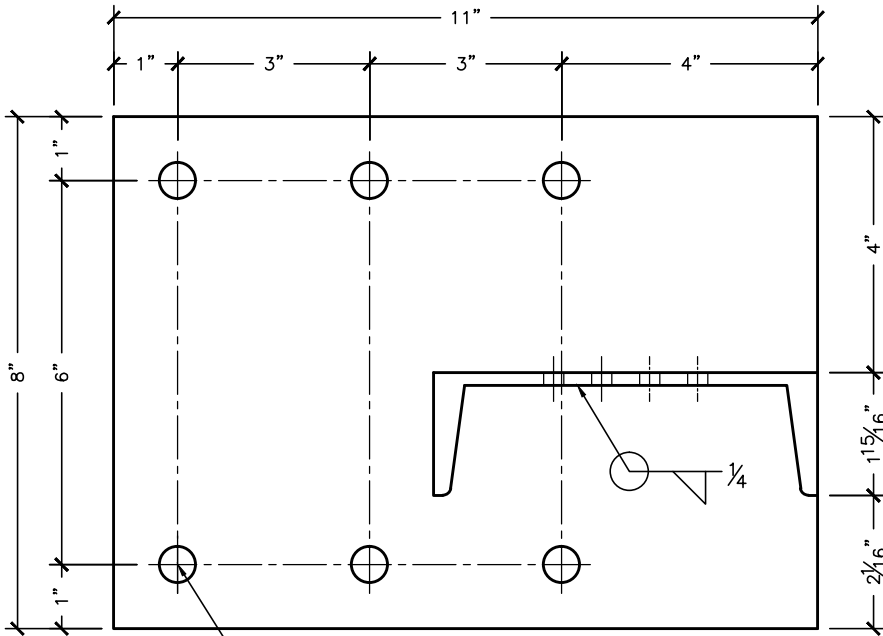
CLIENT NAME		SALE REPRESENTATIVE MARK WEISSENBUHLER		AMERICAN STRUCTURES & DESIGN INC.	
APPROVAL		JOB #		218 STEWART RD SE PACIFIC, WA 98047	
REVISION #		DRAWING #		PRE ³ SIDE BRACKET FOR DECKS	
-				SCALE 1 : 3	
		http://americanstructures.com		DATE 3. 13. 2014	



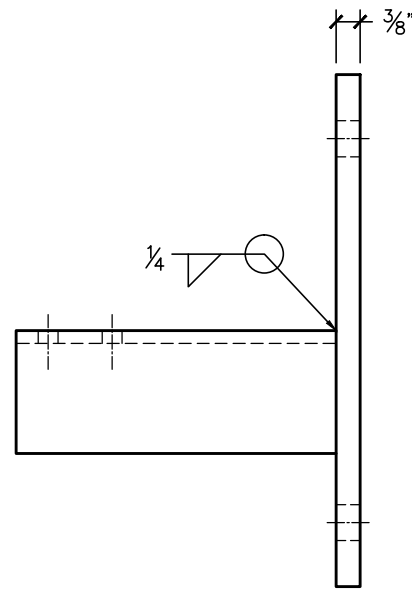
TOP VIEW

NOTE:
 BRACKET IS FABRICATED FROM
 HOT OR COLD FORMED $\frac{3}{8}$ " STEEL PLATE AND
 CHANNEL C6X8.2 – Standard A572 Grade 50

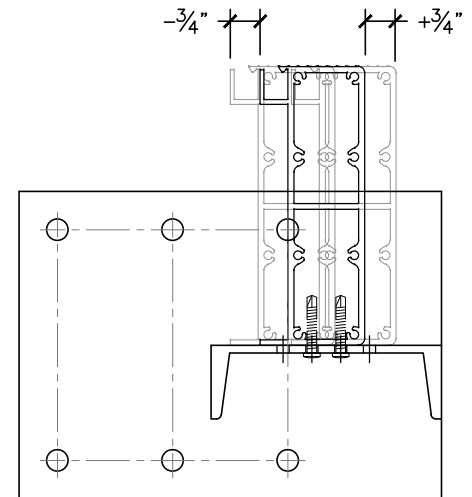
- (6) $\frac{1}{2}$ " x $4\frac{1}{2}$ " LAG SCREWS OR
- (6) $\frac{1}{2}$ " x THRU BOLTS OR
- (6) $\frac{1}{2}$ " x $3\frac{1}{2}$ " EXPANSION ANCHORS



FRONT ELEVATION

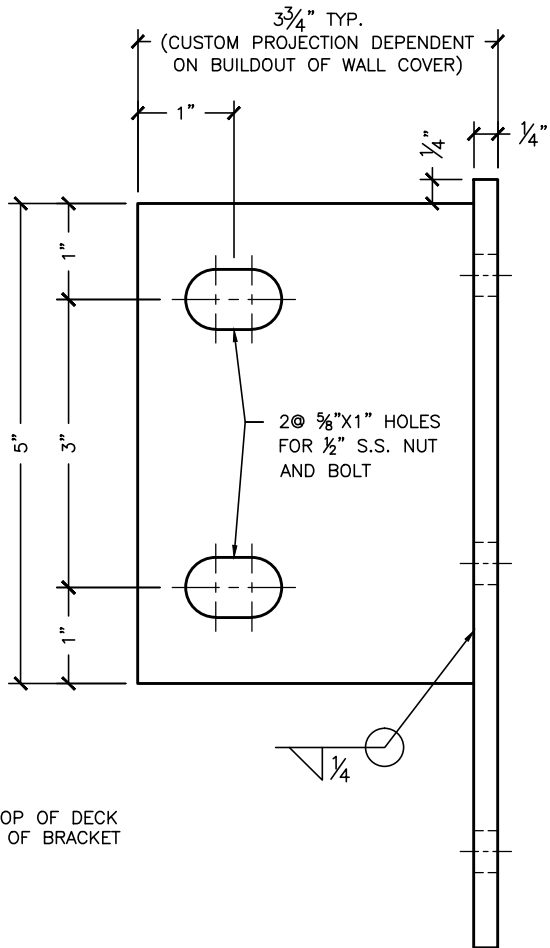


SIDE ELEVATION



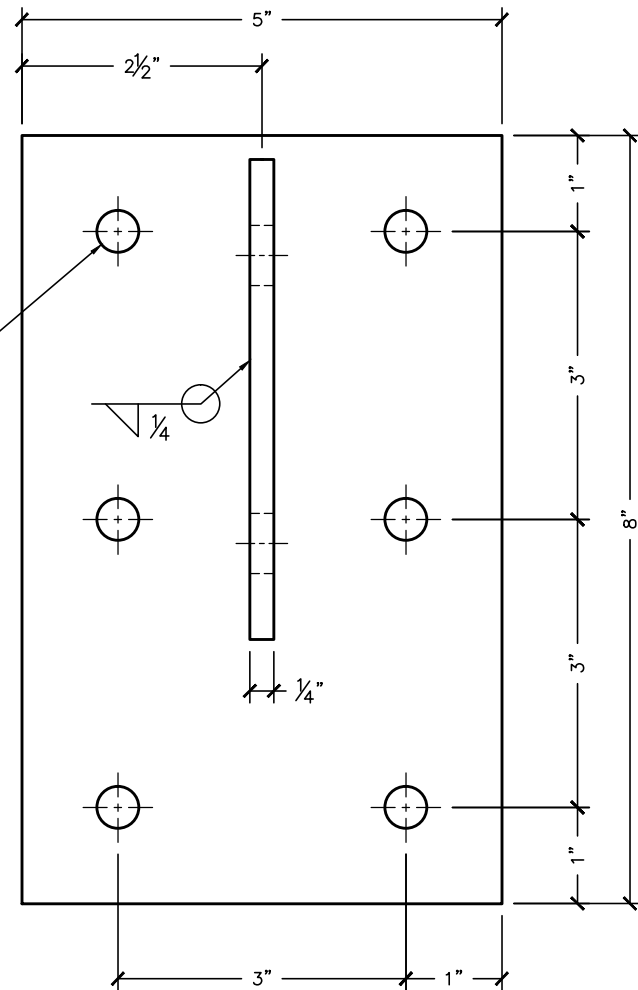
FASCIA WILL BE ATTACH
 TO SIDE BRACKET WITH
 (4) #14 x 1.5" S.S. SCREWS
 ADJUST $\pm\frac{3}{4}$ " FROM CENTER
 MOUNTING DETAIL SCALE 1 : 5

CLIENT NAME		SALE REPRESENTATIVE MARK WEISSENBUHLER		AMERICAN STRUCTURES & DESIGN INC.	
APPROVAL		JOB #		218 STEWART RD SE PACIFIC, WA 98047	
REVISION #		DRAWING #		PHONE 253 833-4343	
-				FAX # 253 833-4545	
				PRE ³ SIDE OFFSET BRACKET FOR DECKS	
				http://americanstructures.com	
				SCALE 1 : 3	
				DATE 3. 13. 2014	

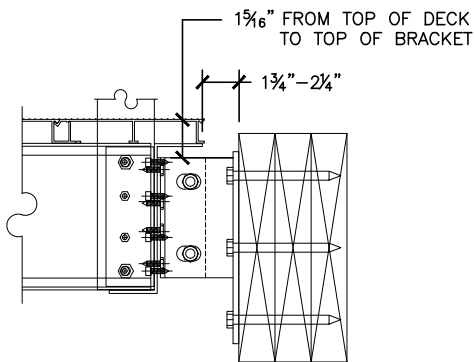


SIDE ELEVATION
SCALE 1 : 2

(6) $\phi 7/16$ " HOLES FOR $3/8$ " ATTACHMENT TYPICAL



FRONT ELEVATION
SCALE 1 : 2



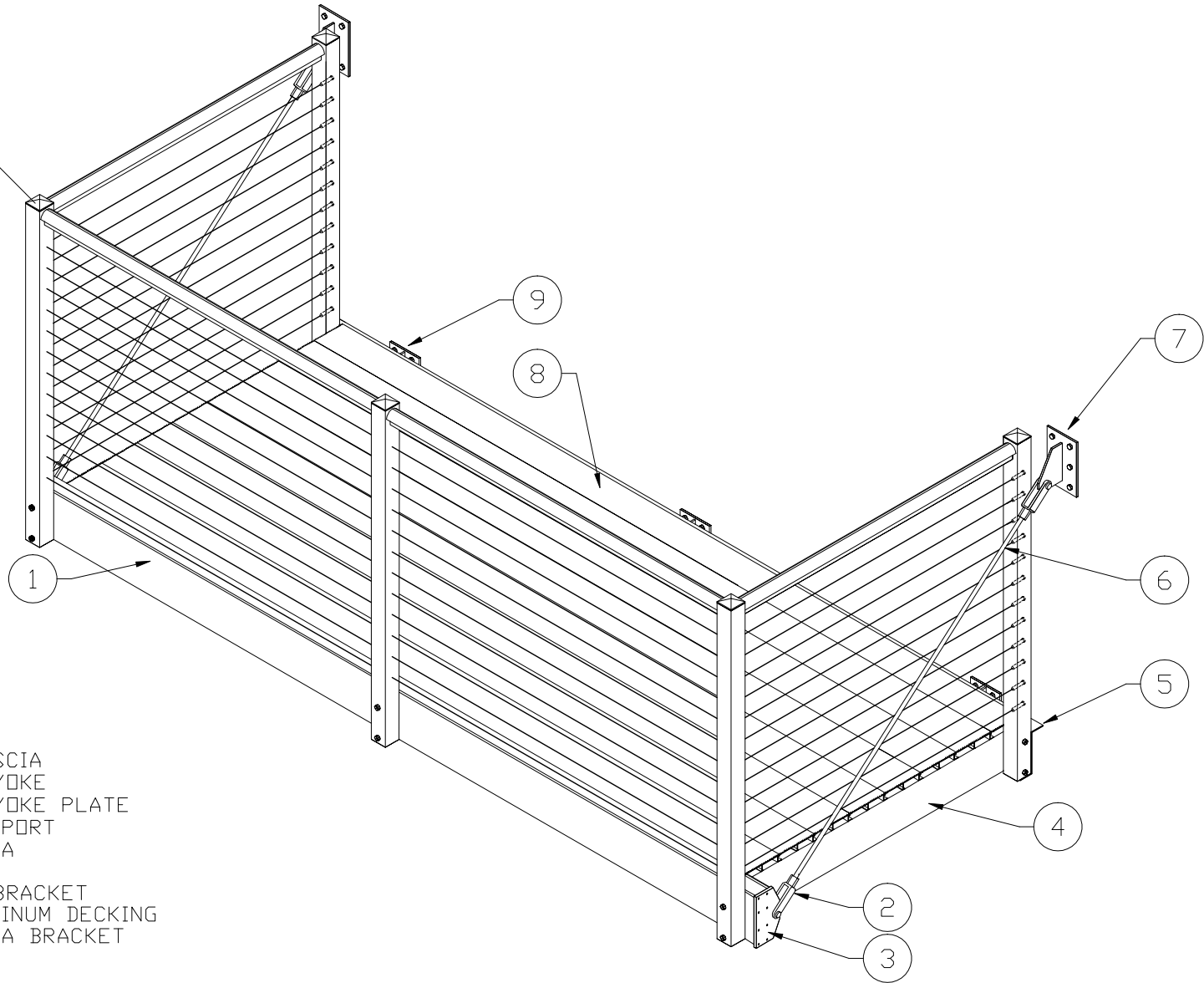
DECK CONNECTION TYPICAL
SCALE 1 : 8

- (6) $\phi 3/8$ " x 4" LAG SCREWS OR
- (6) $\phi 3/8$ " x THRU BOLTS OR
- (6) $\phi 3/8$ " x $3 1/2$ " EXPANSION ANCHORS

NOTE:
1. BRACKETS ARE FABRICATED FROM COLD FORMED $1/4$ " STEEL

CLIENT NAME		SALE REPRESENTATIVE MARK WEISSENBUHLER		AMERICAN STRUCTURES & DESIGN INC. 218 STEWART RD SE PACIFIC, WA 98047	
APPROVAL		JOB #		PHONE 253 833-4343	
REVISION #		DRAWING #		FAX # 253 833-4545	
				PRE ³ SUB FASCIA BRACKET	
				SCALE	
				DATE 2. 10. 2014	
http://americanstructures.com					

PRE³ ALUMINUM
RAILING SYSTEM

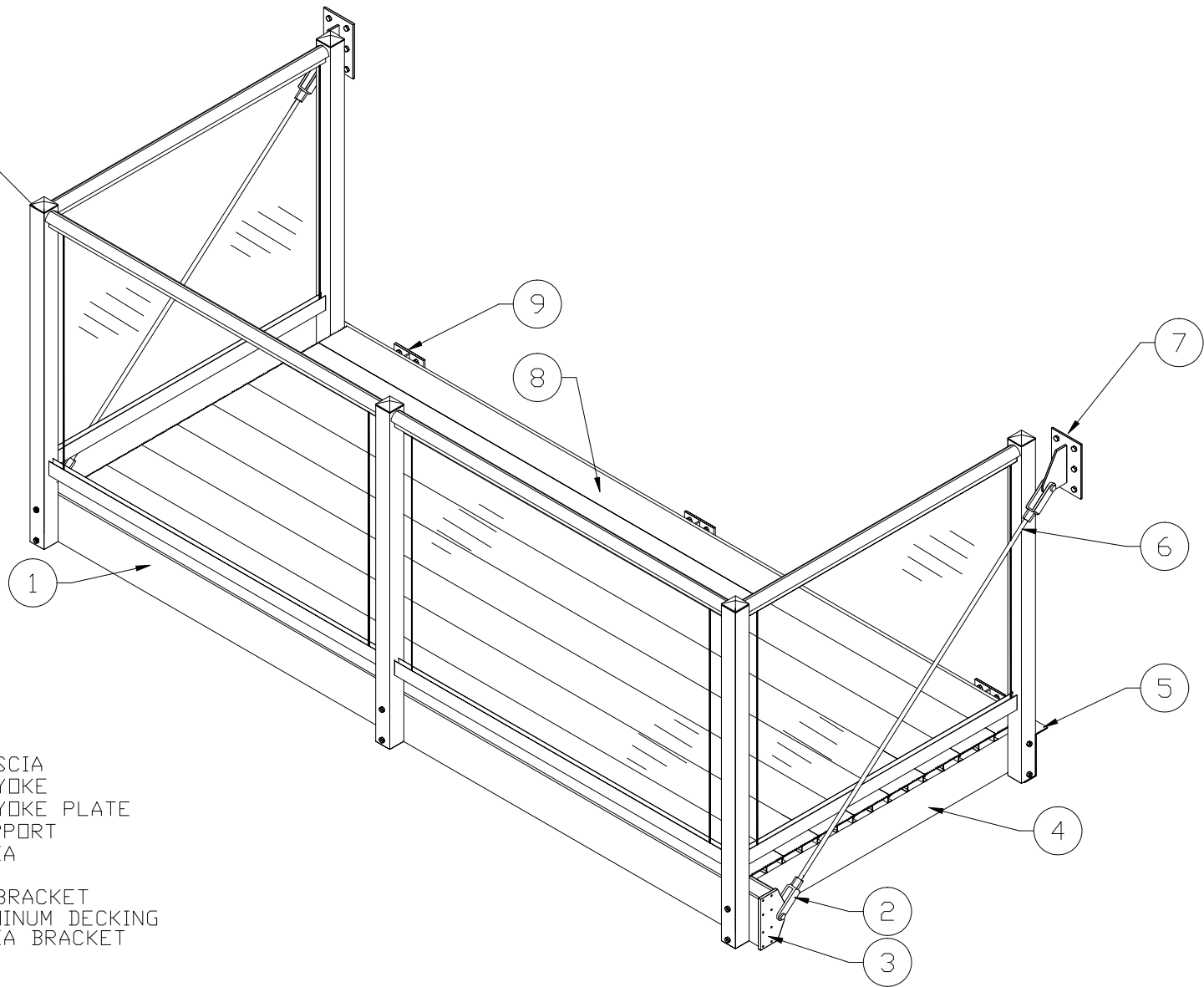


SHEET NOTES:

1. PRE³ FRONT FASCIA
2. PRE³ SAG ROD YOKE
3. PRE³ SAG ROD YOKE PLATE
4. PRE³ JOIST SUPPORT
5. PRE³ SUB FASCIA
6. PRE³ SAG ROD
7. PRE³ SAG ROD BRACKET
8. PRE³ D1x6 ALUMINUM DECKING
9. PRE³ SUB FASCIA BRACKET

CLIENT NAME AMERICAN STRUCTURES & DESIGN INC.		SALE REPRESENTATIVE MARK WEISSENBUHLER	AMERICAN STRUCTURES & DESIGN INC. 218 STEWART RD SE PACIFIC WASHINGTON 98047		
APPROVAL	JOB #	PHONE 253 833-4343	PRODUCT NAME: PRE ³ PRE ENGINEERED DECK W/100 SERIES RAIL & CABLE INFILL		
REVISION #	DRAWING # 1	FAX # 253 833-4545			
		http://americanstructures.com	1 OF 1	SCALE N/S	DATE 9. 27. 13

PRE³ ALUMINUM
RAILING SYSTEM

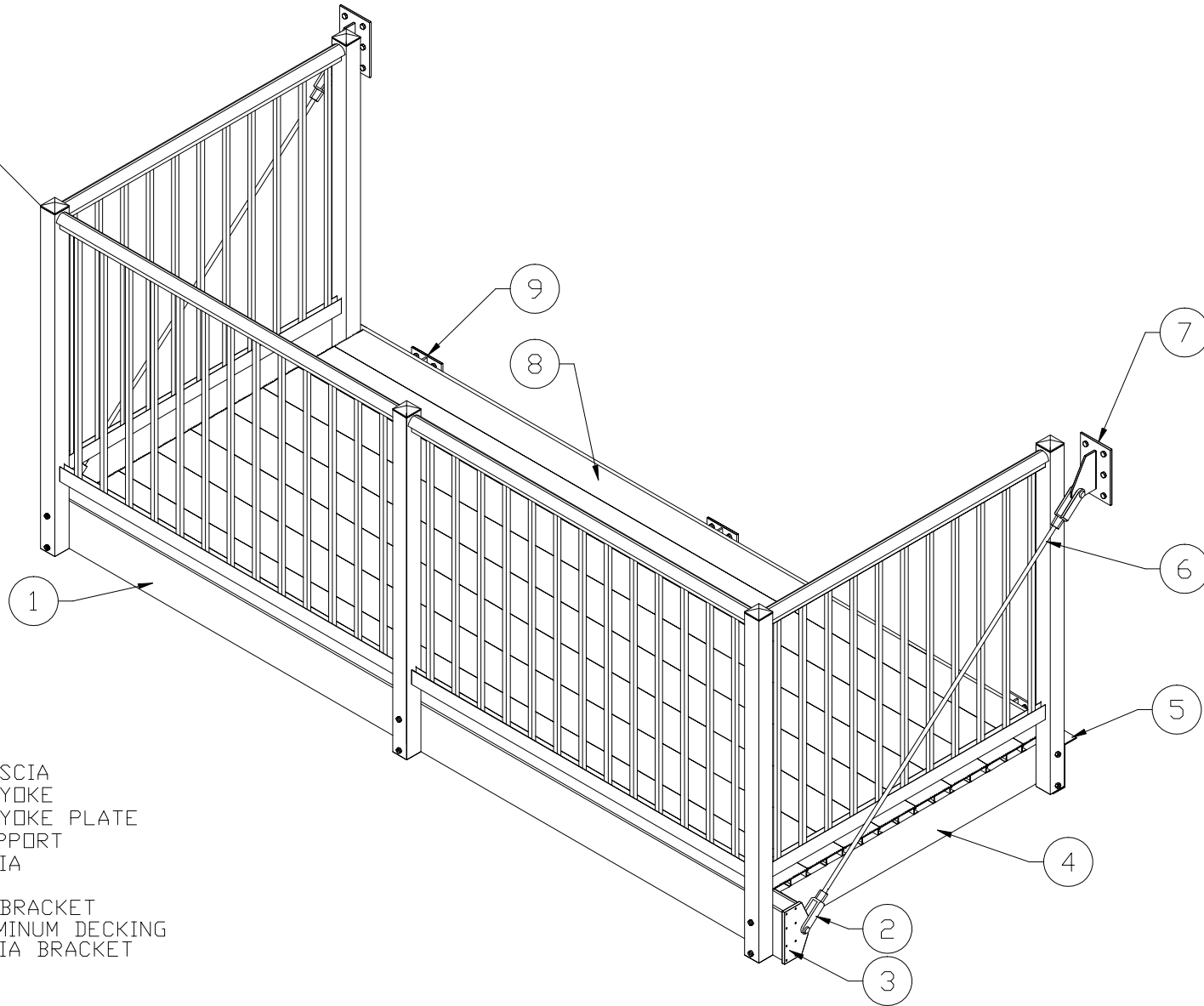


SHEET NOTES:

- 1. PRE³ FRONT FASCIA
- 2. PRE³ SAG ROD YOKE
- 3. PRE³ SAG ROD YOKE PLATE
- 4. PRE³ JOIST SUPPORT
- 5. PRE³ SUB FASCIA
- 6. PRE³ SAG ROD
- 7. PRE³ SAG ROD BRACKET
- 8. PRE³ D1x6 ALUMINUM DECKING
- 9. PRE³ SUB FASCIA BRACKET

CLIENT NAME AMERICAN STRUCTURES & DESIGN INC.		SALE REPRESENTATIVE MARK WEISSENBUHLER	AMERICAN STRUCTURES & DESIGN INC. 218 STEWART RD SE PACIFIC WASHINGTON 98047		
APPROVAL	JOB #	PHONE 253 833-4343	PRODUCT NAME: PRE ³ PRE ENGINEERED DECK W/100 SERIES RAIL & GLASS INFILL		
REVISION #	DRAWING # 1	FAX # 253 833-4545			
		http://americanstructures.com	1 OF 1	SCALE N/S	DATE 9. 27. 13

PRE³ ALUMINUM
RAILING SYSTEM



SHEET NOTES:

- 1. PRE³ FRONT FASCIA
- 2. PRE³ SAG ROD YOKE
- 3. PRE³ SAG ROD YOKE PLATE
- 4. PRE³ JOIST SUPPORT
- 5. PRE³ SUB FASCIA
- 6. PRE³ SAG ROD
- 7. PRE³ SAG ROD BRACKET
- 8. PRE³ D1x6 ALUMINUM DECKING
- 9. PRE³ SUB FASCIA BRACKET

CLIENT NAME AMERICAN STRUCTURES & DESIGN INC.		SALE REPRESENTATIVE MARK WEISSENBUHLER	AMERICAN STRUCTURES & DESIGN INC. 218 STEWART RD SE PACIFIC WASHINGTON 98047		
APPROVAL	JOB #	PHONE 253 833-4343	PRODUCT NAME PRE ENGINEERED DECK W/100 SERIES RAIL & PICKET INFILL		
REVISION #	DRAWING # 1	FAX # 253 833-4545			
		http://americanstructures.com	1 OF 1	SCALE N/S	DATE 9. 27. 13