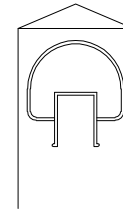


# PRE<sup>3</sup> ALUMINUM RAIL AND CABLE SYSTEM

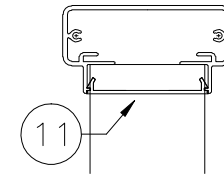
## SHEET NOTES:

1. PRE<sup>3</sup> TR100 SERIES ALUMINUM TOP RAIL; SEE DETAIL SHEET#2
2. PRE<sup>3</sup> PE 2 $\frac{3}{8}$ "X2 $\frac{3}{8}$ " POST-SURFACE MOUNT; SEE DETAIL SH#4 FOR OPTIONS
3. PRE<sup>3</sup> BR100 BOTTOM RAIL (OPTIONAL); SEE DETAIL SHEET#2
4. PRE<sup>3</sup>  $\frac{1}{8}$ " OR  $\frac{3}{16}$ " S.S. 1x19 CABLE INFILL
5. PRE<sup>3</sup> RCB1 RAIL CONNECTING BLOCK (FOR TOP & BOTTOM RAIL); SEE DETAIL SHEET#3
6. PRE<sup>3</sup> FMPB-6" 1" OFFSET FASCIA MOUNT BRACKET; SEE DETAIL SHEET #5 FOR OPTIONS
7. PRE<sup>3</sup> POST WITH CORE MOUNT IN CONCRETE; SEE DETAIL SHEET #7
8. PRE<sup>3</sup> FLUSH MOUNTED FASCIA POST; SEE DETAIL SHEET#6 FOR OPTIONS
9. PRE<sup>3</sup> POST END CAP
10. PRE<sup>3</sup> SP41 PICKET SPACER COVER \*(TOP & BOTTOM); SEE DETAIL SHEET#2
11. PRE<sup>3</sup> FLAT INFILL FOR 200/999 WITH CABLE; SEE DETAIL SHEET#2

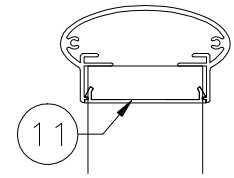
## TOP RAIL PROFILES



TR100  
SCALE=1:4

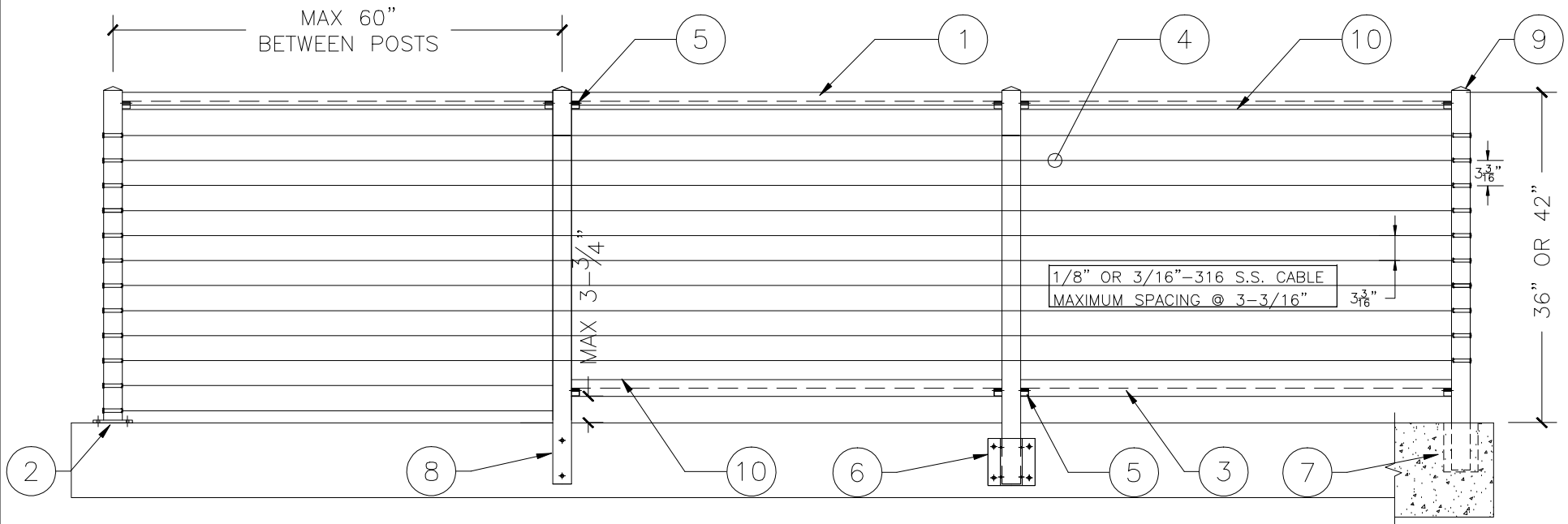


TR200  
SCALE=1:4



TR999  
SCALE=1:4

(CONTINUOUS TOP RAIL STYLES)



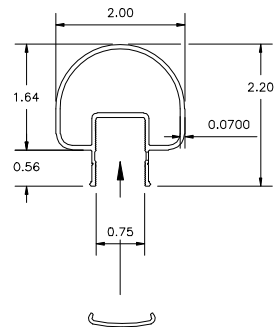
AMERICAN STRUCTURES  
& DESIGN INC.  
218 STEWART RD. SE,  
PACIFIC, WA 98047  
PH#- 253 833-4343  
FAX#-253 833-4545

RAIL NAME: PRE <sup>3</sup> ALUMINUM RAILING W/CABLE INFILL SUBMITTAL		DRAWING # 1	
JOB NAME:	CONTRACTOR:	ALLOY: 6063-T6 AL	
http://americanstructures.com		DRAWN BY: D. FERONG	SCALE: 3/4"=1'-0"
		DATE: 11. 13. 13	REV #

# PRE<sup>3</sup> POST AND RAIL EXTRUSION DETAILS

TR-100 PROFILE

SCALE=1:3

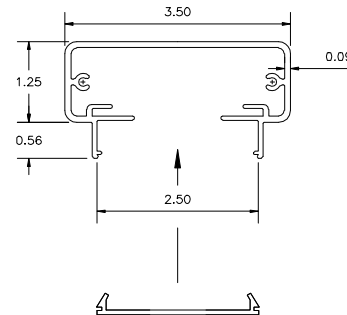


SP41-PICKET SPACER FOR TOP AND BOTTOM RAIL

SCALE=1:3

TR-200 PROFILE

SCALE=1:3

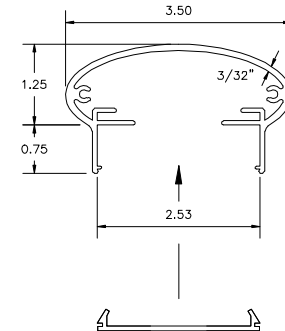


FI-FLAT INFILL FOR SERIES TR200 & TR999 WHEN USING CABLE

SCALE=1:3

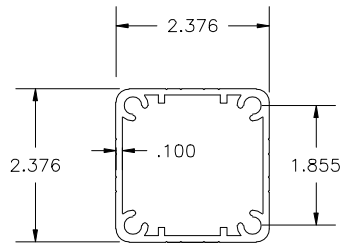
TR-999 PROFILE

SCALE=1:3



FI-FLAT INFILL FOR SERIES TR200 & TR999 WHEN USING CABLE

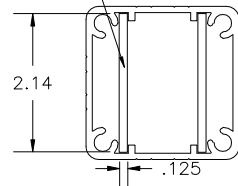
SCALE=1:3



PE-POST EXTRUSION PROFILE

SCALE=1:3

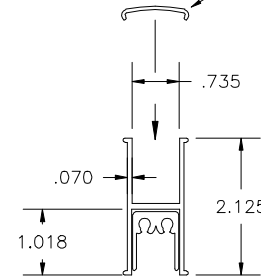
IPB; INTERNAL POST BRACING FOR END POSTS WITH CABLE INFILL



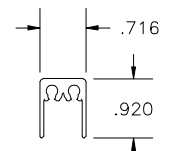
PE-POST EXTRUSION W/INTERNAL POST BRACE

SCALE=1:3

SP41 PICKET SPACER



BR-100 BOTTOM RAIL



RCB1; RAIL TO POST CONNECTING BLOCK

SCALE=1:3

AMERICAN STRUCTURES  
& DESIGN INC.  
218 STEWART RD. SE,  
PACIFIC, WA 98047  
PH#-253 833-4343  
FAX#-253 833-4545

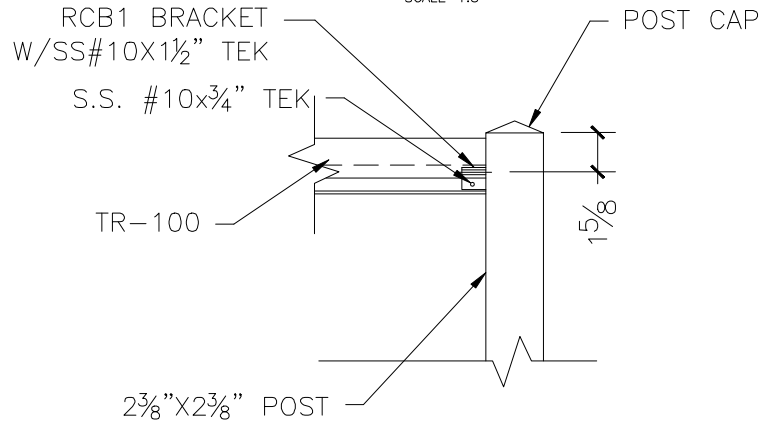
PART NAME: <b>PRE<sup>3</sup> POST &amp; RAIL EXTRUSION PROFILES</b>	
PART NO:	
<a href="http://americanstructures.com">http://americanstructures.com</a>	

DRAWING #	2	
ALLOY:	6063-T6 AL	
REV #		
DRAWN BY:	D. FERONG	SCALE: 1 : 3
DATE:	10. 03. 13	

# PRE<sup>3</sup> TOP & BOTTOM CONNECTION RAIL DETAILS

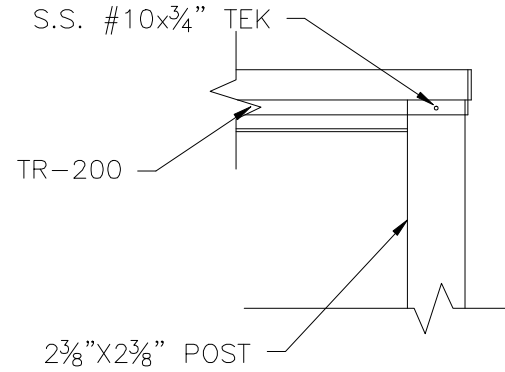
TR100 TOP RAIL ATTACHMENT

SCALE=1:8



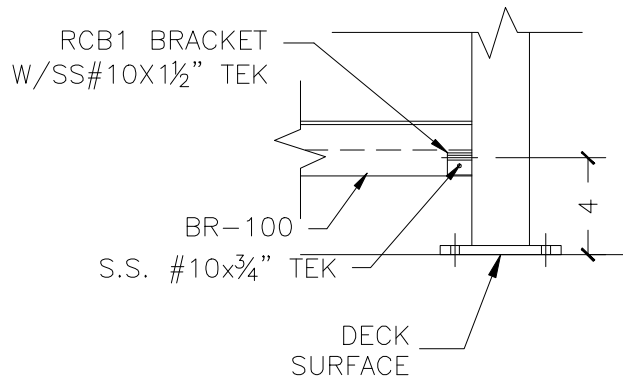
TR200 & 999 TOP RAIL ATTACHMENT

SCALE=1:8



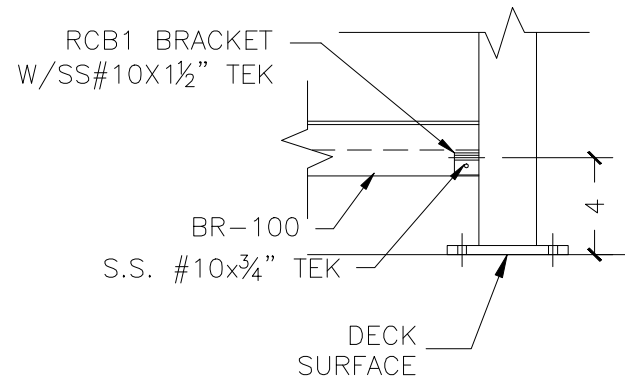
TR100 BOTTOM RAIL ATTACHMENT

SCALE=1:8



TR200 & 999 BOTTOM RAIL ATTACHMENT

SCALE=1:8

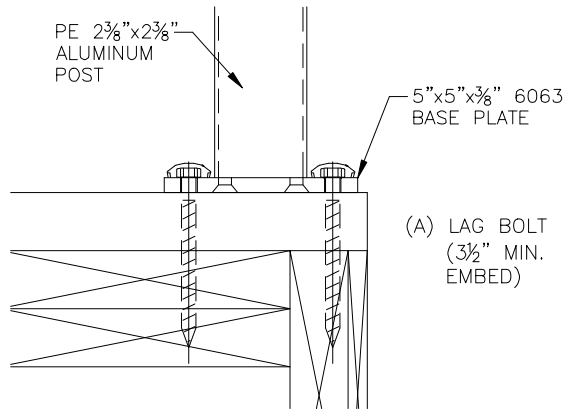


AMERICAN STRUCTURES  
& DESIGN INC.  
218 STEWART RD. SE,  
PACIFIC, WA 98047  
PH#- 253 833-4343  
FAX#-253 833-4545

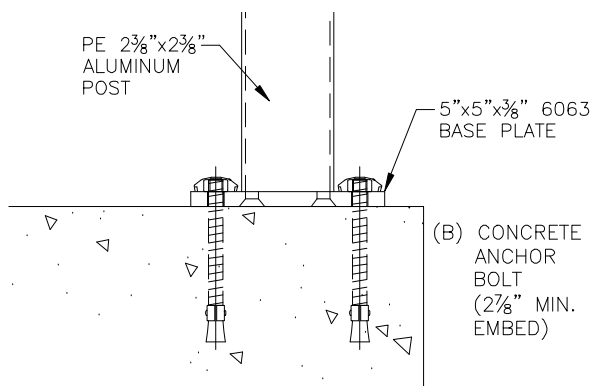
RAIL NAME: PRE <sup>3</sup> RAIL TOP & BOTTOM RAIL CONNECTION DETAILS SUBMITTAL		DRAWING # 3	
JOB NAME:	CONTRACTOR:	ALLOY: 6063-T6 AL	
http://americanstructures.com		DRAWN BY: D. FERONG	SCALE: 1 : 8
			DATE: 10. 03. 13

# PRE<sup>3</sup> SURFACE MOUNT POST ATTACHMENT OPTIONS AND DETAILS

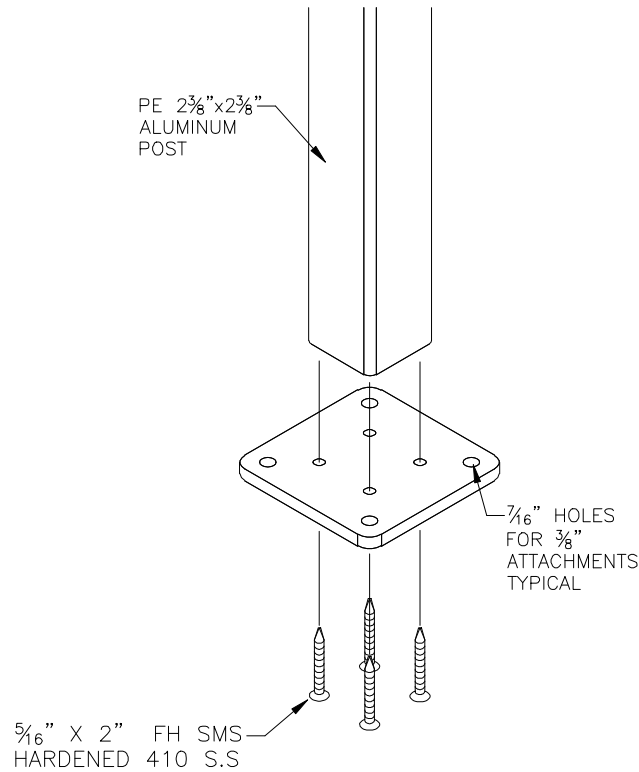
SURFACE MOUNT POST & BASE PLATE (WOOD)  
SCALE=1:5



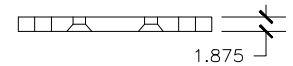
SURFACE MOUNT POST & BASE PLATE (CONCRETE)  
SCALE=1:5



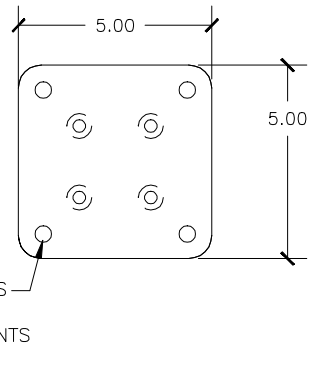
SURFACE MOUNT POST & BASE PLATE  
SCALE=1:5



BASE PLATE SIDE VIEW  
SCALE=1:5



SURFACE MOUNT BASE PLATE  
SCALE=1:5



ANCHOR ATTACHMENT OPTIONS:

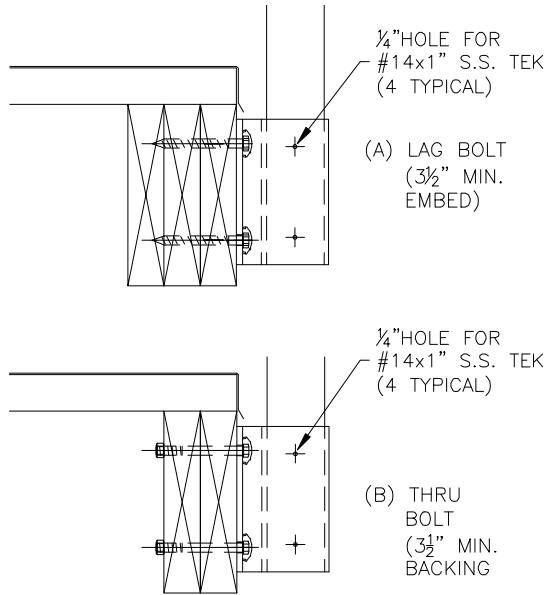
- (A) 3/8"  $\phi$  x LAG SCREWS OR
- (B) 3/8"  $\phi$  x EXPANSION ANCHORS

AMERICAN STRUCTURES  
& DESIGN INC.  
218 STEWART RD. SE,  
PACIFIC, WA 98047  
PH#-253 833-4343  
FAX#-253 833-4545

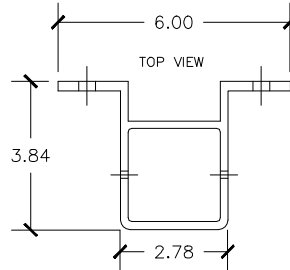
PART NAME: PRE <sup>3</sup> SURFACE POST MOUNTING ATTACHMENT DETAIL SUBMITTAL		DRAWING # 4	
JOB NAME:	CONTRACTOR:	ALLOY: 6063-T6 AL	
http://americanstructures.com		DRAWN BY: D. FERONG	REV #
		SCALE: 1 : 5	DATE: 10. 03. 13

# PRE<sup>3</sup> FASCIA MOUNT POST ATTACHMENT OPTIONS AND DETAILS

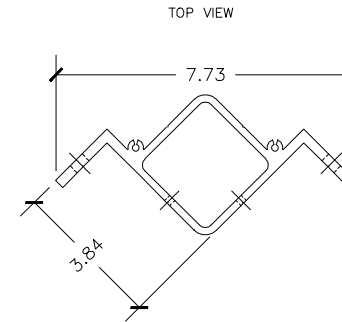
1" FMPB FASCIA MOUNT POST  
BRACKET FRONT VIEW  
SCALE=1:10



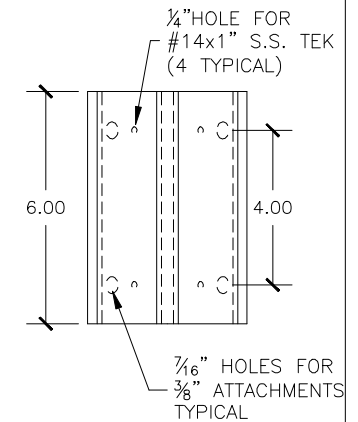
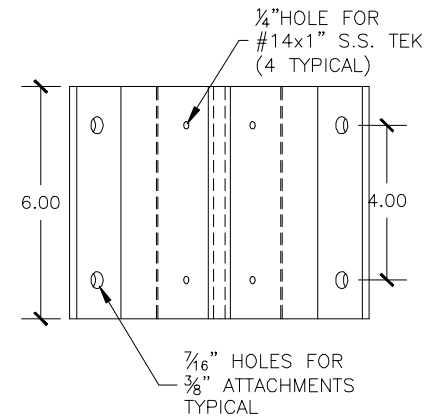
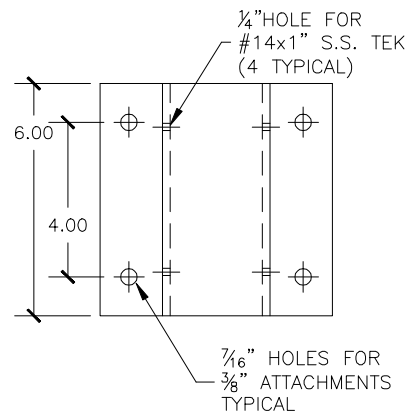
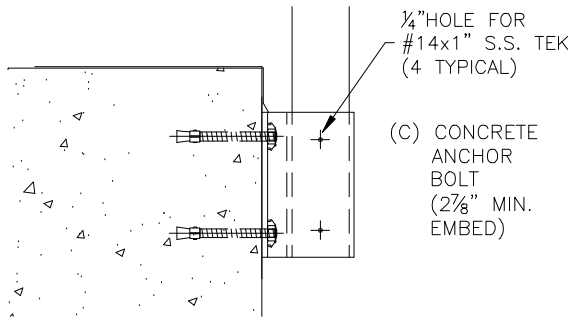
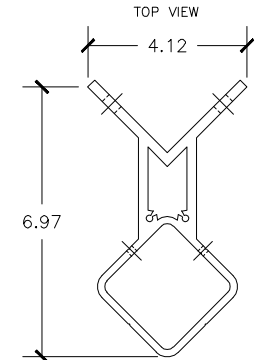
FMPB 1" STANDOFF  
FASCIA MOUNT  
INTERMEDIATE  
POST BRACKET  
SCALE=1:5



FMPB 1" STANDOFF  
FASCIA MOUNT  
INSIDE CORNER  
POST BRACKET  
SCALE=1:5



FMPB 1" STANDOFF  
FASCIA MOUNT  
OUTSIDE CORNER  
POST BRACKET  
SCALE=1:5



ANCHOR ATTACHMENT OPTIONS:

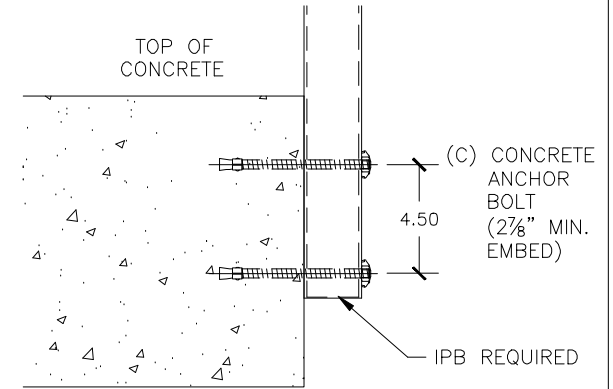
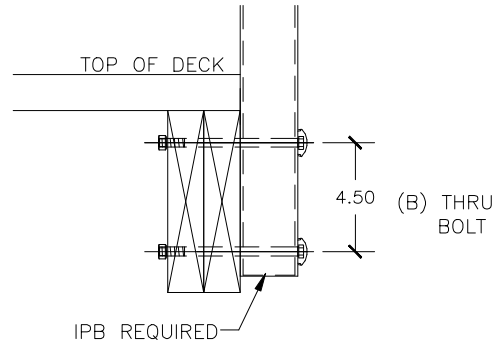
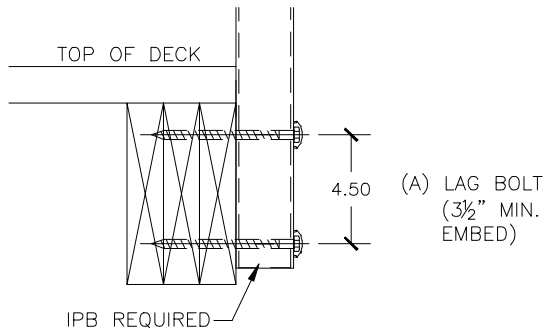
- (A) 3/8"  $\phi$  x LAG SCREWS OR
- (B) 3/8"  $\phi$  THRU BOLTS OR
- (C) 3/8"  $\phi$  x EXPANSION ANCHORS

AMERICAN STRUCTURES  
& DESIGN INC.  
218 STEWART RD. SE,  
PACIFIC, WA 98047  
PH#-253 833-4343  
FAX#-253 833-4545

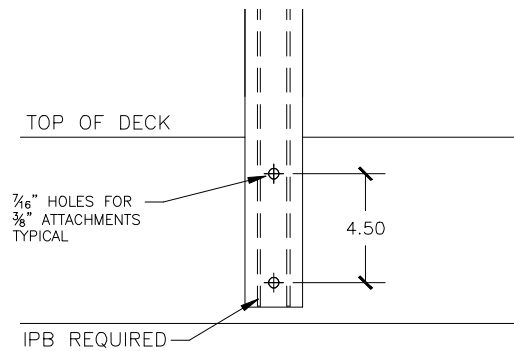
PART NAME: PRE <sup>3</sup> FASCIA POST MOUNTING ATTACHMENT DETAIL SUBMITTAL		DRAWING # 5	
JOB NAME:	CONTRACTOR:	ALLOY: 6063-T6 AL	
<a href="http://americanstructures.com">http://americanstructures.com</a>		REV #	DATE: 10. 03. 13
DRAWN BY: D. FERONG		SCALE: VARIES	

# PRE<sup>3</sup> FLUSH MOUNT POST ATTACHMENT OPTIONS AND DETAILS

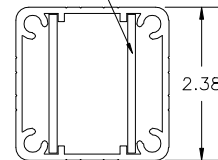
PE-POST EXTRUSION DIRECTLY MOUNTED TO FASCIA SIDE VIEWS  
SCALE=1:8



FLUSH MOUNT FASCIA ATTACHMENT  
SCALE=1:8



IPB: INTERNAL POST BRACING FOR HEAVY DUTY POST REQUIREMENTS



PE-POST EXTRUSION W/INTERNAL POST BRACE (IPB)  
SCALE=1:3

ANCHOR ATTACHMENT OPTIONS:

- (A) 3/8"  $\phi$  x LAG SCREWS OR
- (B) 3/8"  $\phi$  THRU BOLTS OR
- (C) 3/8"  $\phi$  x EXPANSION ANCHORS

AMERICAN STRUCTURES & DESIGN INC.  
218 STEWART RD. SE,  
PACIFIC, WA 98047  
PH#-253 833-4343  
FAX#-253 833-4545

PART NAME:

PRE<sup>3</sup> FLUSH MOUNT POST MOUNTING ATTACHMENT DETAIL SUBMITTAL

JOB NAME:

CONTRACTOR:

<http://americanstructures.com>

DRAWN BY:

D. FERONG

SCALE:

VARIES

DATE:

10. 03. 13

DRAWING #

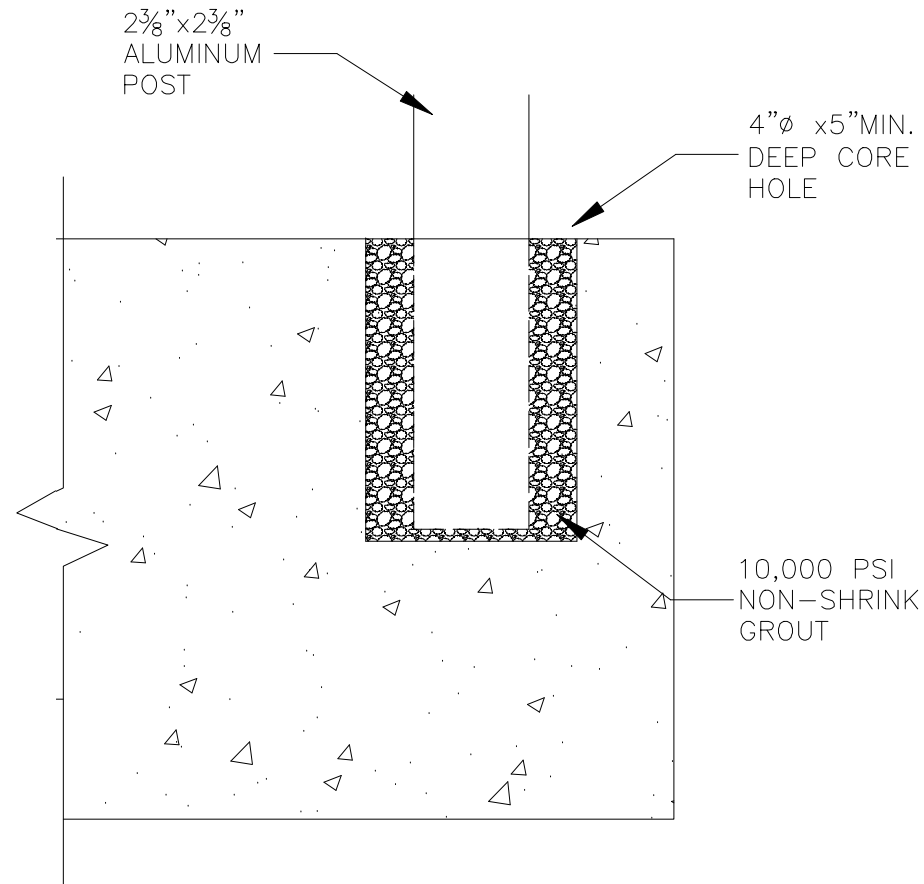
6

ALLOY:

6063-T6 AL

REV #

# POST CORE MOUNTING ATTACHMENT DETAILS



POST CORE MOUNT DETAIL  
SCALE=3"=1'-0"

AMERICAN STRUCTURES  
& DESIGN INC.  
218 STEWART RD. SE,  
PACIFIC, WA 98047  
PH#-253 833-4343  
FAX#-253 833-4545

PART NAME:		PRE <sup>3</sup> POST CORE MOUNTING DETAILS		DRAWING #	7
JOB NAME:	CONTRACTOR:			ALLOY:	6063-T6 AL
http://americanstructures.com			DRAWN BY:	D. FERONG	SCALE:
			3"=1'-0"		DATE:
					10. 03. 13