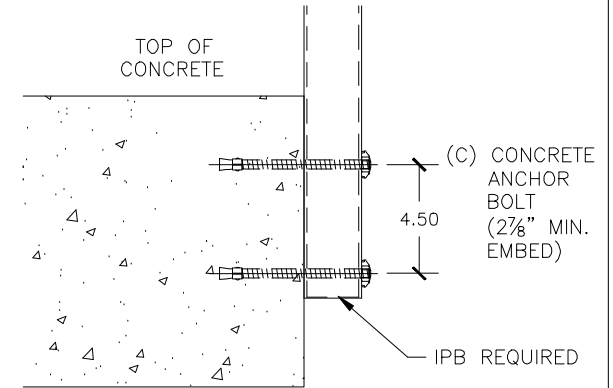
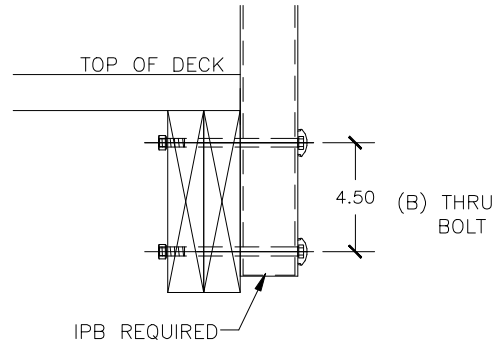
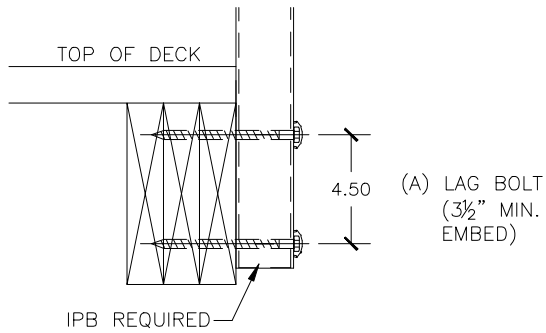
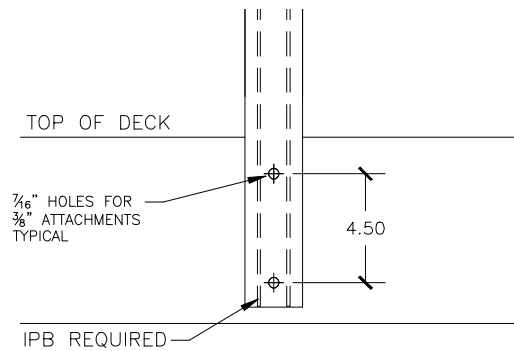


PRE³ FLUSH MOUNT POST ATTACHMENT OPTIONS AND DETAILS

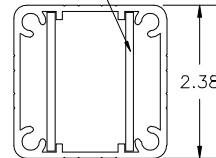
PE-POST EXTRUSION DIRECTLY MOUNTED TO FASCIA SIDE VIEWS
SCALE=1:8



FLUSH MOUNT FASCIA ATTACHMENT
SCALE=1:8



IPB: INTERNAL POST BRACING FOR HEAVY DUTY POST REQUIREMENTS



PE-POST EXTRUSION W/INTERNAL POST BRACE (IPB)
SCALE=1:3

ANCHOR ATTACHMENT OPTIONS:

- (A) 3/8" ϕ x LAG SCREWS OR
- (B) 3/8" ϕ THRU BOLTS OR
- (C) 3/8" ϕ x EXPANSION ANCHORS

AMERICAN STRUCTURES & DESIGN INC.
218 STEWART RD. SE,
PACIFIC, WA 98047
PH#-253 833-4343
FAX#-253 833-4545

PART NAME:

PRE³ FLUSH MOUNT POST MOUNTING ATTACHMENT DETAIL SUBMITTAL

JOB NAME:

CONTRACTOR:

<http://americanstructures.com>

DRAWN BY:

D. FERONG

SCALE:

VARIES

DATE:

10. 03. 13

DRAWING #

6

ALLOY:

6063-T6 AL

REV #