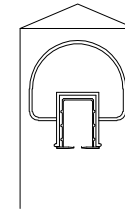


PRE³ ALUMINUM RAIL AND GLASS SYSTEM

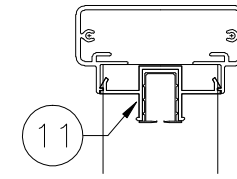
SHEET NOTES:

1. PRE³ TR100 SERIES ALUMINUM TOP RAIL: SEE DETAIL SHEET#2
2. PRE³ PE 2 $\frac{3}{8}$ "X2 $\frac{3}{8}$ " POST-SURFACE MOUNT; SEE DETAIL SHEET#4 FOR OPTIONS
3. PRE³ BR100 BOTTOM RAIL (OPTIONAL); SEE DETAIL SHEET#2
4. PRE³ TEMPERED SAFETY GLASS INFILL: $\frac{1}{4}$ " MINIMUM
5. PRE³ RCB1 RAIL CONNECTING BLOCK (FOR TOP & BOTTOM RAIL); SEE DETAIL SHEET#3
6. PRE³ GVS GLASS VINYL *(TOP & BOTTOM); SEE DETAIL SHEET#2
7. PRE³ FMPB-6" 1" OFFSET FASCIA MOUNT BRACKET; SEE DETAIL SHEET #5 FOR OPTIONS
8. PRE³ POST WITH CORE MOUNT STYLE IN CONCRETE; SEE DETAIL SHEET #7
9. PRE³ FLUSH MOUNTED FASCIA POST; SEE DETAIL SHEET#6 FOR OPTIONS
10. PRE³ POST END CAP
11. PRE³ INFILL FOR 200/999 WITH GVS-PICKET VINYL (TOP & BOTTOM); SEE DETAIL SHEET#2

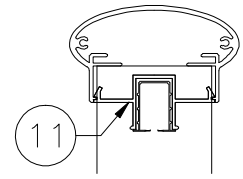
TOP RAIL PROFILES



TR100
SCALE=1:4

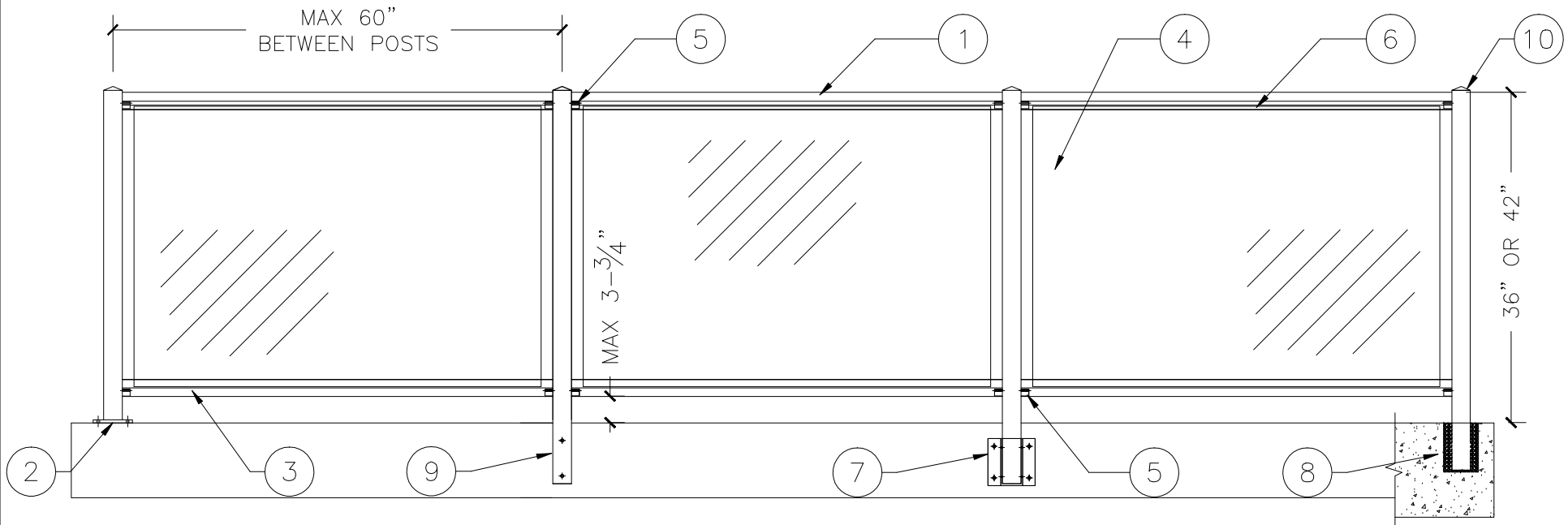


TR200
SCALE=1:4



TR999
SCALE=1:4

(CONTINUOUS TOP RAIL STYLES)



AMERICAN STRUCTURES
& DESIGN INC.
218 STEWART RD. SE,
PACIFIC, WA 98047
PH#- 253 833-4343
FAX#-253 833-4545

RAIL NAME:

PRE³ ALUMINUM RAILING W/GLASS INFILL SUBMITTAL

JOB NAME:

CONTRACTOR:

<http://americanstructures.com>

DRAWN BY:

D. FERONG

SCALE:

3/4"=1'-0"

DATE:

11. 15. 13

DRAWING #

1

ALLOY:

6063-T6 AL

REV #