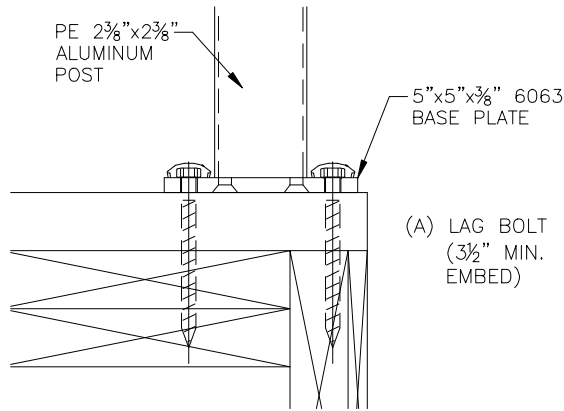
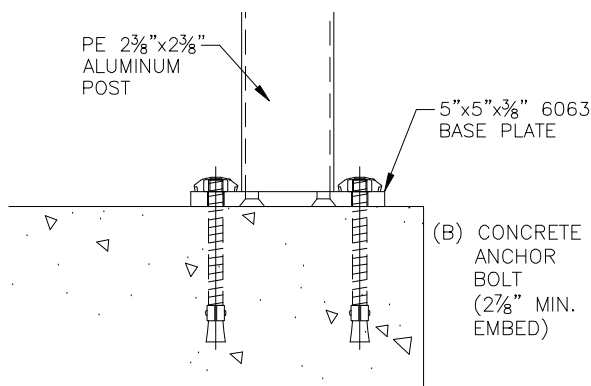


# PRE<sup>3</sup> SURFACE MOUNT POST ATTACHMENT OPTIONS AND DETAILS

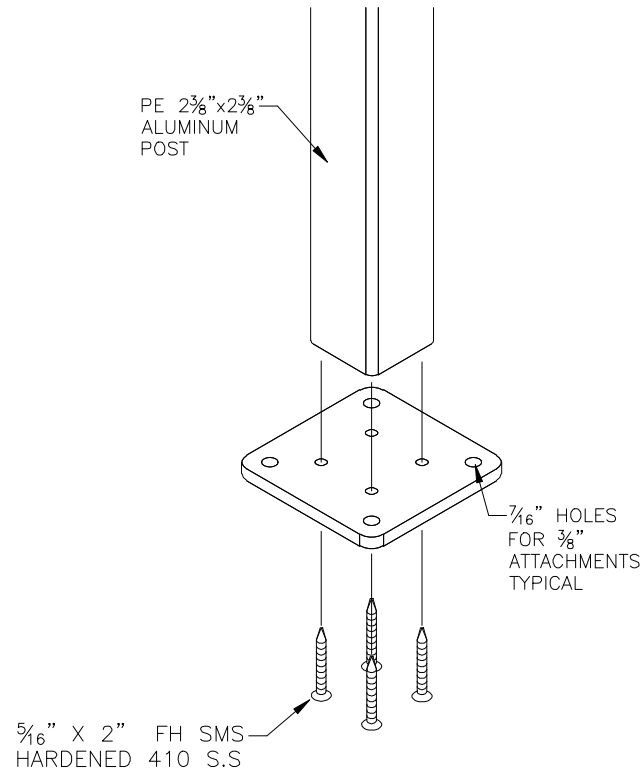
SURFACE MOUNT POST &  
BASE PLATE (WOOD)  
SCALE=1:5



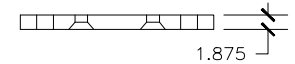
SURFACE MOUNT POST &  
BASE PLATE (CONCRETE)  
SCALE=1:5



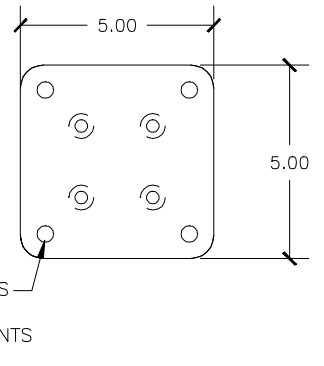
SURFACE MOUNT POST  
& BASE PLATE  
SCALE=1:5



BASE PLATE SIDE VIEW  
SCALE=1:5



SURFACE MOUNT  
BASE PLATE  
SCALE=1:5



ANCHOR ATTACHMENT OPTIONS:

- (A) 3/8"  $\phi$  x LAG SCREWS OR
- (B) 3/8"  $\phi$  x EXPANSION ANCHORS

AMERICAN STRUCTURES  
& DESIGN INC.  
218 STEWART RD. SE,  
PACIFIC, WA 98047  
PH#-253 833-4343  
FAX#-253 833-4545

PART NAME: PRE <sup>3</sup> SURFACE POST MOUNTING ATTACHMENT DETAIL SUBMITTAL		DRAWING # 4	
JOB NAME:	CONTRACTOR:	ALLOY: 6063-T6 AL	
http://americanstructures.com		REV #	
		DRAWN BY: D. FERONG	SCALE: 1 : 5
		DATE: 10. 03. 13	