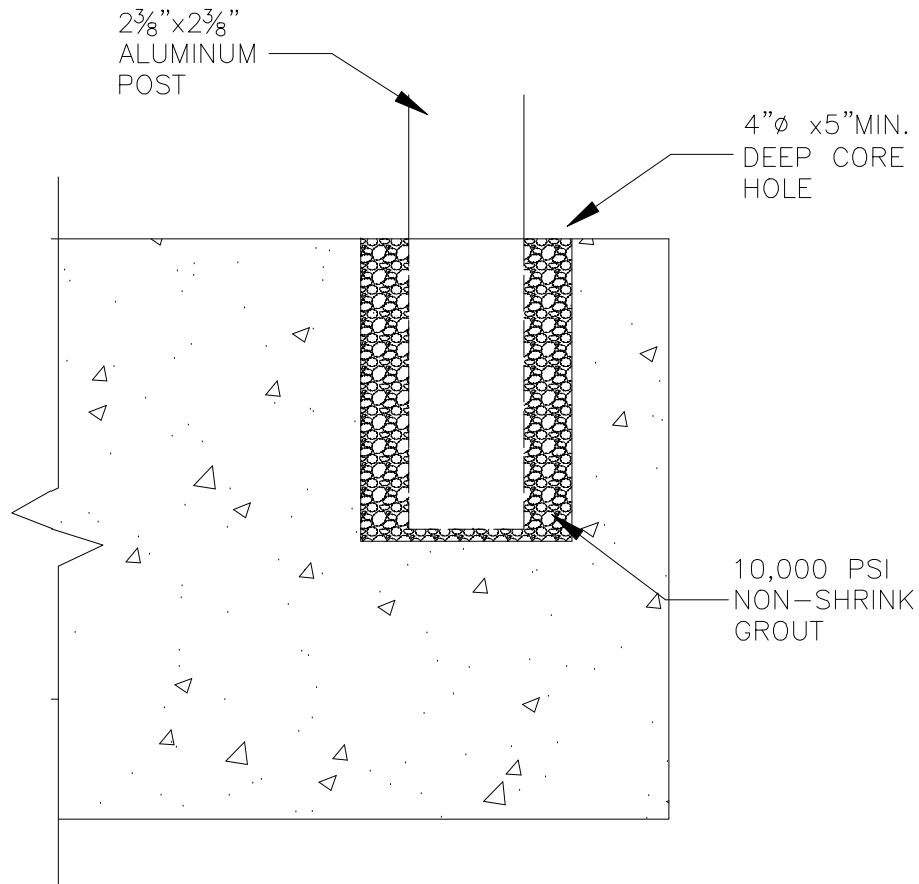


POST CORE MOUNTING ATTACHMENT DETAILS



POST CORE MOUNT DETAIL
SCALE=3"=1'-0"

AMERICAN STRUCTURES
& DESIGN INC.
218 STEWART RD. SE,
PACIFIC, WA 98047
PH#-253 833-4343
FAX#-253 833-4545

PART NAME:		PRE ³ POST CORE MOUNTING DETAILS		DRAWING #	7
JOB NAME:		CONTRACTOR:		ALLOY:	
				6063-T6 AL	
				REV #	
http://americanstructures.com		DRAWN BY:		SCALE:	DATE:
		D. FERONG		3"=1'-0"	10. 03. 13