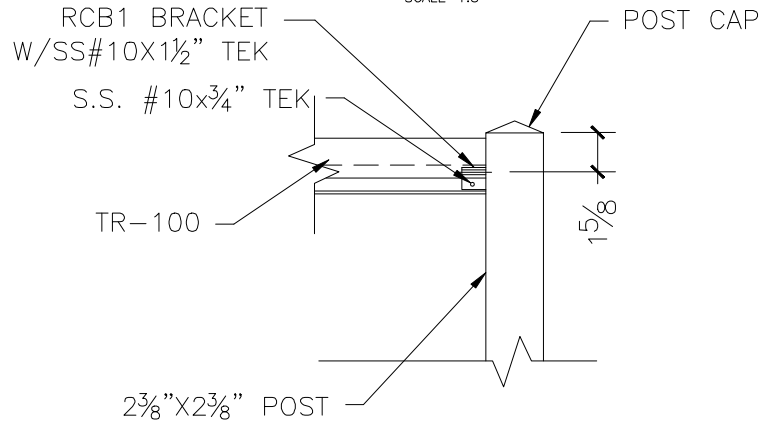


PRE³ TOP & BOTTOM CONNECTION RAIL DETAILS

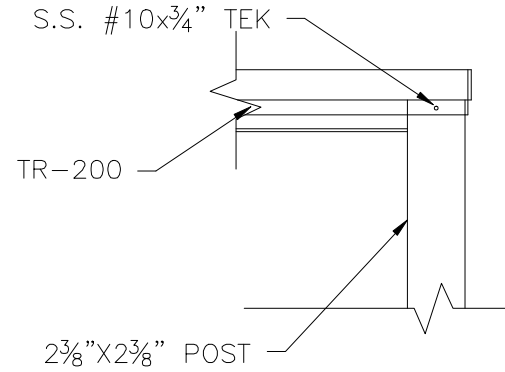
TR100 TOP RAIL ATTACHMENT

SCALE=1:8



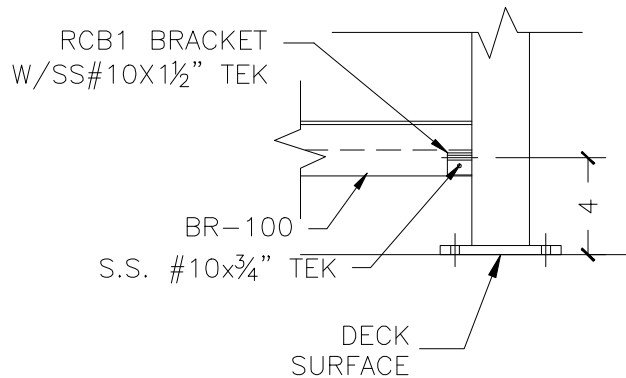
TR200 & 999 TOP RAIL ATTACHMENT

SCALE=1:8



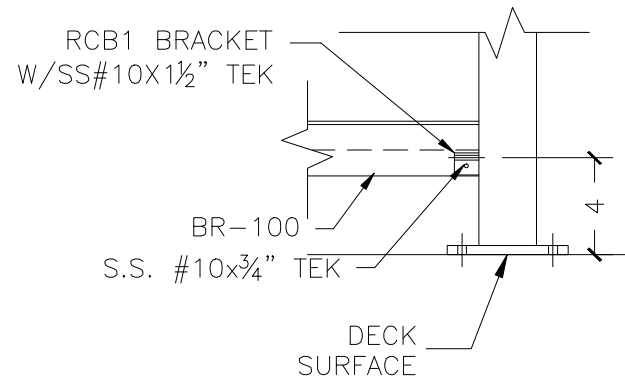
TR100 BOTTOM RAIL ATTACHMENT

SCALE=1:8



TR200 & 999 BOTTOM RAIL ATTACHMENT

SCALE=1:8



AMERICAN STRUCTURES
& DESIGN INC.
218 STEWART RD. SE,
PACIFIC, WA 98047
PH#- 253 833-4343
FAX#-253 833-4545

RAIL NAME: PRE ³ RAIL TOP & BOTTOM RAIL CONNECTION DETAILS SUBMITTAL		DRAWING # 3	
JOB NAME:	CONTRACTOR:	ALLOY: 6063-T6 AL	
http://americanstructures.com		REV #	
		DRAWN BY: D. FERONG	SCALE: 1 : 8
		DATE: 10. 03. 13	