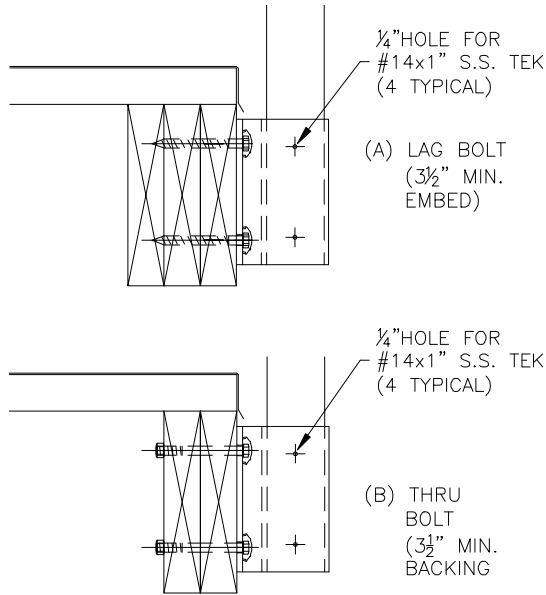
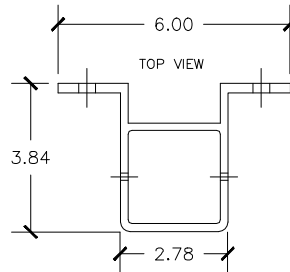


PRE³ FASCIA MOUNT POST ATTACHMENT OPTIONS AND DETAILS

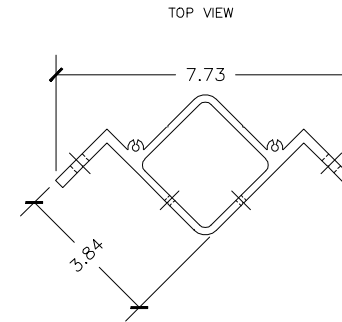
1" FMPB FASCIA MOUNT POST
BRACKET FRONT VIEW
SCALE=1:10



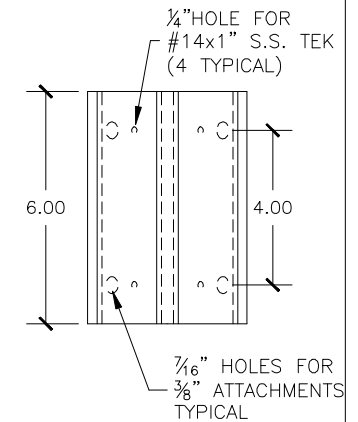
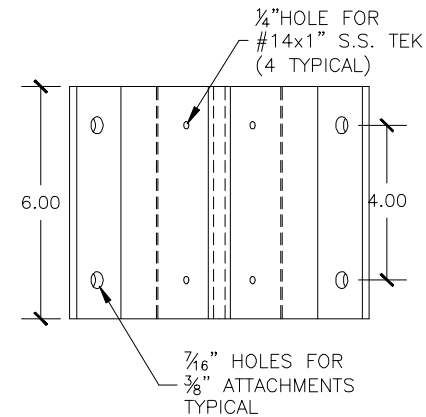
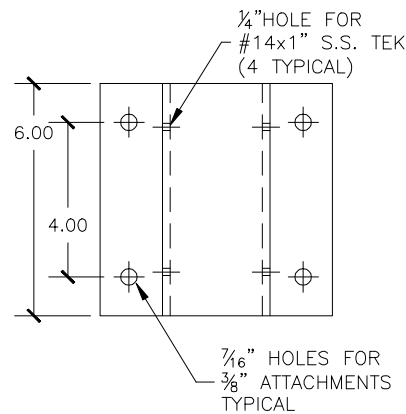
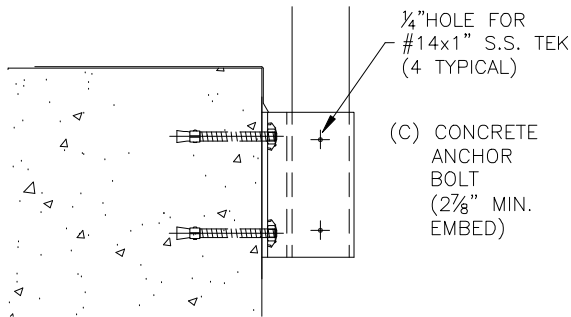
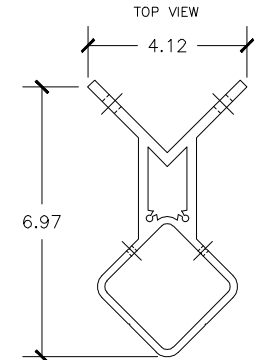
FMPB 1" STANDOFF
FASCIA MOUNT
INTERMEDIATE
POST BRACKET
SCALE=1:5



FMPB 1" STANDOFF
FASCIA MOUNT
INSIDE CORNER
POST BRACKET
SCALE=1:5



FMPB 1" STANDOFF
FASCIA MOUNT
OUTSIDE CORNER
POST BRACKET
SCALE=1:5



ANCHOR ATTACHMENT OPTIONS:

- (A) 3/8" ϕ x LAG SCREWS OR
- (B) 3/8" ϕ THRU BOLTS OR
- (C) 3/8" ϕ x EXPANSION ANCHORS

AMERICAN STRUCTURES
& DESIGN INC.
218 STEWART RD. SE,
PACIFIC, WA 98047
PH#-253 833-4343
FAX#-253 833-4545

PART NAME: PRE ³ FASCIA POST MOUNTING ATTACHMENT DETAIL SUBMITTAL		DRAWING # 5	
JOB NAME:	CONTRACTOR:	ALLOY: 6063-T6 AL	
http://americanstructures.com		DRAWN BY: D. FERONG	SCALE: VARIES
		DATE: 10. 03. 13	REV #