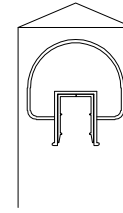


PRE³ ALUMINUM RAIL AND PICKET SYSTEM

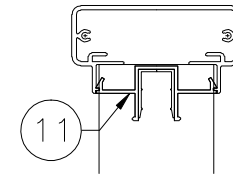
SHEET NOTES:

1. PRE³ TR100 SERIES ALUMINUM TOP RAIL; SEE DETAIL SHEET#2
2. PRE³ PE-2 $\frac{3}{8}$ "X2 $\frac{3}{8}$ " POST-SURFACE MOUNT; SEE DETAIL SHEET#4 FOR OPTIONS
3. PRE³ BR100-ALUMINUM BOTTOM RAIL
4. PRE³ PT1- $\frac{5}{8}$ "X $\frac{9}{8}$ " ALUMINUM PICKET INFILL
5. PRE³ RCB1-RAIL CONNECTING BLOCK (FOR TOP & BOTTOM RAIL); SEE DETAIL SHEET#3
6. PRE³ SP41-ALUMINUM PICKET SPACER *(TOP & BOTTOM)
7. PRE³ FMPB-6" 1" OFFSET FASCIA MOUNT BRACKET; SEE DETAIL SHEET #5 FOR OPTIONS
8. PRE³ POST WITH CORE MOUNT IN CONCRETE; SEE DETAIL SHEET #7
9. PRE³ FLUSH MOUNTED FASCIA POST; SEE DETAIL SHEET#6 FOR OPTIONS
10. PRE³ PC-POST CAP
11. PRE³ INFILL FOR 200/999 WITH PVI-PICKET VINYL (TOP & BOTTOM); SEE DETAIL SHEET#2

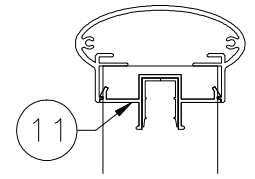
TOP RAIL PROFILES



TR100
SCALE=1:4

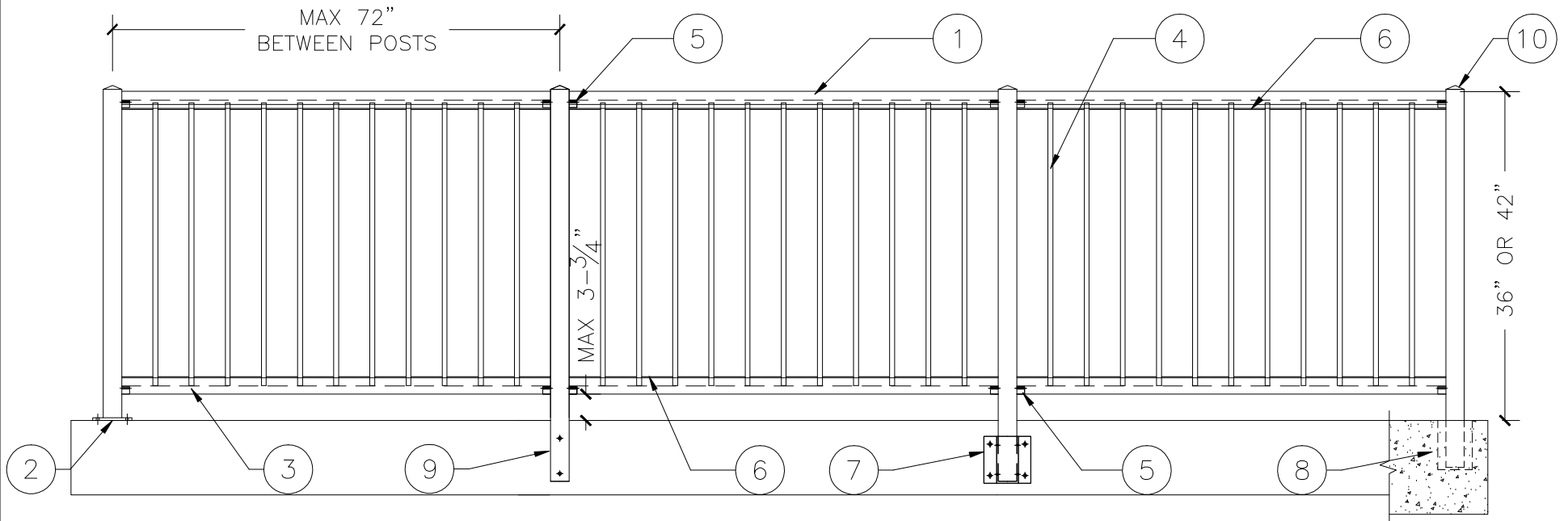


TR200
SCALE=1:4



TR999
SCALE=1:4

(CONTINUOUS TOP RAIL STYLES)



AMERICAN STRUCTURES
& DESIGN INC.
218 STEWART RD. SE,
PACIFIC, WA 98047
PH#- 253 833-4343
FAX#-253 833-4545

RAIL NAME:
PRE³ ALUMINUM RAILING W/PICKET INFILL SUBMITTAL

JOB NAME: CONTRACTOR:

<http://americanstructures.com>

DRAWN BY:
D. FERONG

SCALE:
3/4"=1'-0"

DATE:
11. 13. 13

DRAWING # 1
ALLOY: 6063-T6 AL
REV #