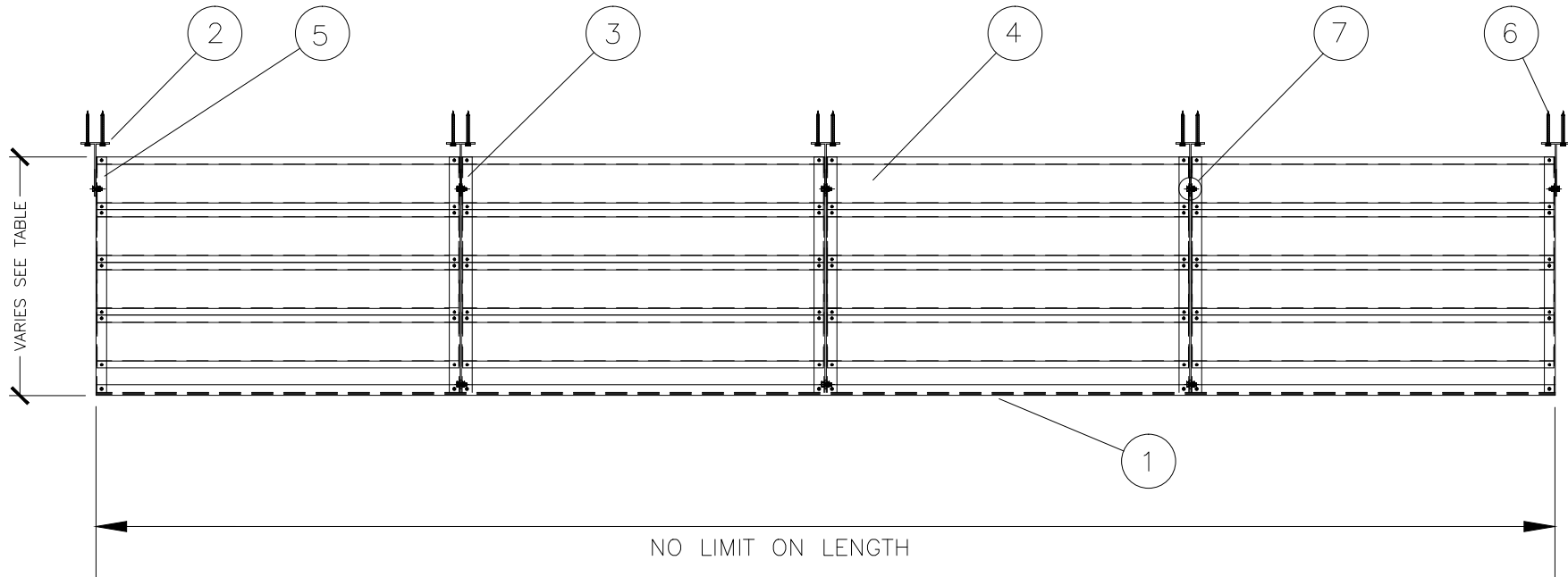


1. FASCIA: 6-1/4"x1-1/2"x1/8" ALUMINUM CHANNEL SEE DRAWING DETAIL#2
2. KNIFE PLATE: SEE DRAWING DETAIL#5
3. DOUBLE JOIST (INTERMEDIATE): 6"x1-1/2"x1/8" ALUMINUM CHANNELS SEE DRAWING DETAIL#4
4. SUNSHADE BLADE: SEE DRAWING DETAIL#7
5. END JOIST: 6"x1-1/2"x1/8" ALUMINUM CHANNEL SEE DRAWING DETAIL#3
6. 1/2"x4-1/2" LAGS (4) OR 1/2" x 5-1/2" HILTI KWIK BOLTS (4) PER KNIFE PLATE
7. 3/8"x1-1/4" S.S. BOLT AND NYLOCK HEX NUT (2) TYPICAL



PLAN VIEW

CLIENT NAME		JOB NAME/P.O.#		APPROVED BY/ DATE:		Pre <sup>3</sup> Aluminum Sunshade System		AMERICAN STRUCTURES & DESIGN INC. 218 STEWART RD SE PACIFIC, WA 98047	
DWG#	SCALE	DATE	REV#	SALES REP. MARK	DRAWN BY J.V.	<a href="http://americanstructures.com">http://americanstructures.com</a>		PHONE	FAX #
1	N/A	1. 19. 2015						253 833-4343	253 833-4545

Note: © This document has been developed and created by AS&D. Information contained herein cannot be used unless specifically permitted in writing by AS&D