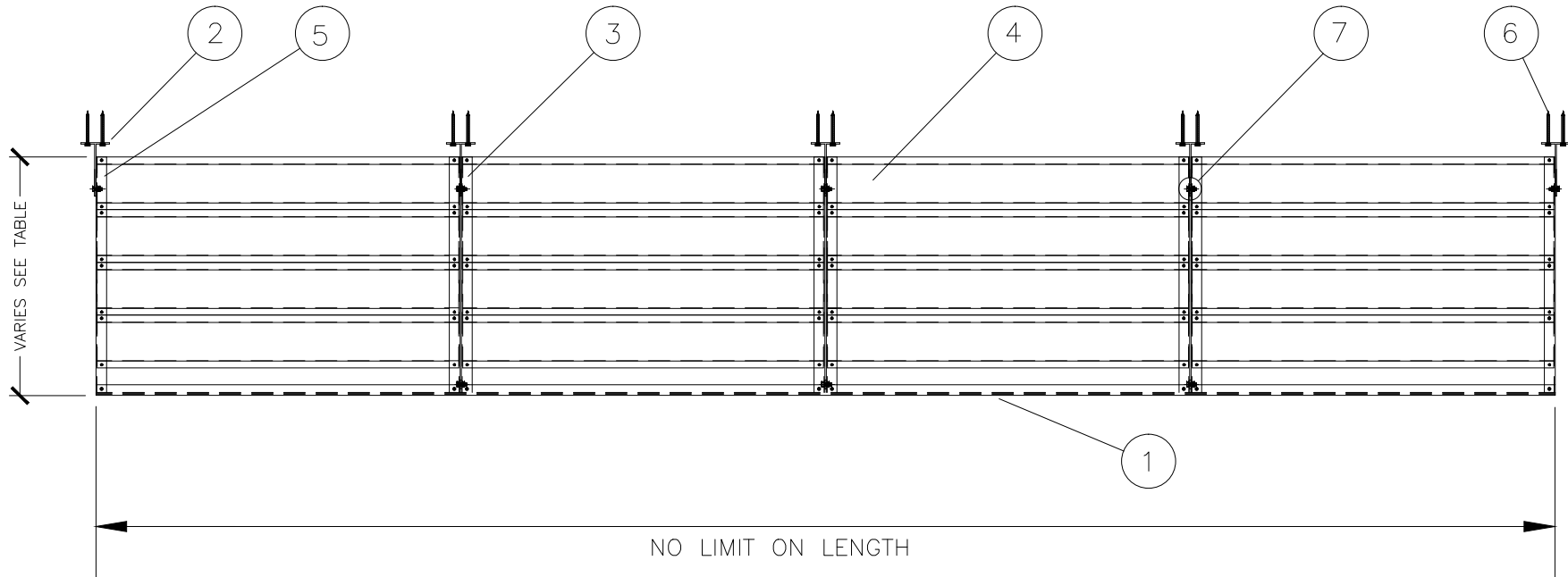


1. FASCIA: 6-1/4"x1-1/2"x1/8" ALUMINUM CHANNEL SEE DRAWING DETAIL#2
2. KNIFE PLATE: SEE DRAWING DETAIL#5
3. DOUBLE JOIST (INTERMEDIATE): 6"x1-1/2"x1/8" ALUMINUM CHANNELS SEE DRAWING DETAIL#4
4. SUNSHADE BLADE: SEE DRAWING DETAIL#7
5. END JOIST: 6"x1-1/2"x1/8" ALUMINUM CHANNEL SEE DRAWING DETAIL#3
6. 1/2"x4-1/2" LAGS (4) OR 1/2" x 5-1/2" HILTI KWIK BOLTS (4) PER KNIFE PLATE
7. 3/8"x1-1/4" S.S. BOLT AND NYLOCK HEX NUT (2) TYPICAL

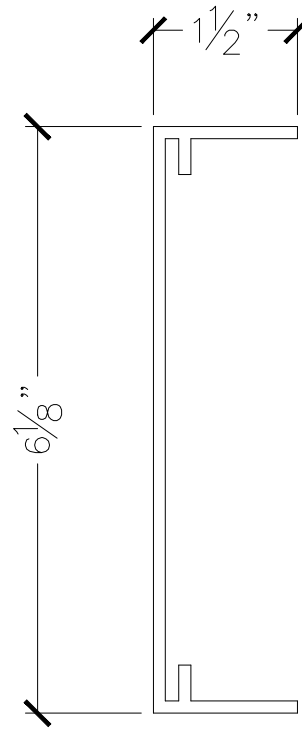


PLAN VIEW

CLIENT NAME		JOB NAME/P.O.#		APPROVED BY/ DATE:		Pre <sup>3</sup> Aluminum Sunshade System		AMERICAN STRUCTURES & DESIGN INC. 218 STEWART RD SE PACIFIC, WA 98047	
DWG#	SCALE	DATE	REV#	SALES REP. MARK	DRAWN BY J.V.	<a href="http://americanstructures.com">http://americanstructures.com</a>		PHONE	FAX #
1	N/A	1. 19. 2015						253 833-4343	253 833-4545

Note: © This document has been developed and created by AS&D. Information contained herein cannot be used unless specifically permitted in writing by AS&D

- NOTES: 1. ALL WALLS ARE  
.125 IN THICK  
2. 6063 EXTRUDED  
ALUMINUM

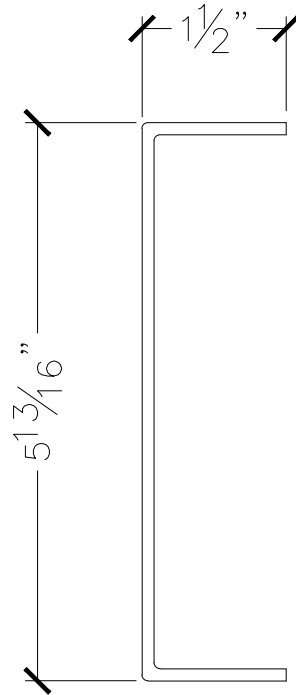


FRONT FASCIA PROFILE

CLIENT NAME		JOB NAME/P.O.#		APPROVED BY/ DATE:		Pre <sup>3</sup> Aluminum Sunshade System		AMERICAN STRUCTURES & DESIGN INC. 218 STEWART RD SE PACIFIC, WA 98047	
DWG#	SCALE	DATE	REV#	SALES REP. MARK	DRAWN BY	PHONE	FAX #		
2	N/A	1. 19. 2015			J.V.	253 833-4343	253 833-4545	<a href="http://americanstructures.com">http://americanstructures.com</a>	

Note: © This document has been developed and created by AS&D. Information contained herein cannot be used unless specifically permitted in writing by AS&D

NOTES: 1. ALL WALLS ARE  
.125 IN THICK

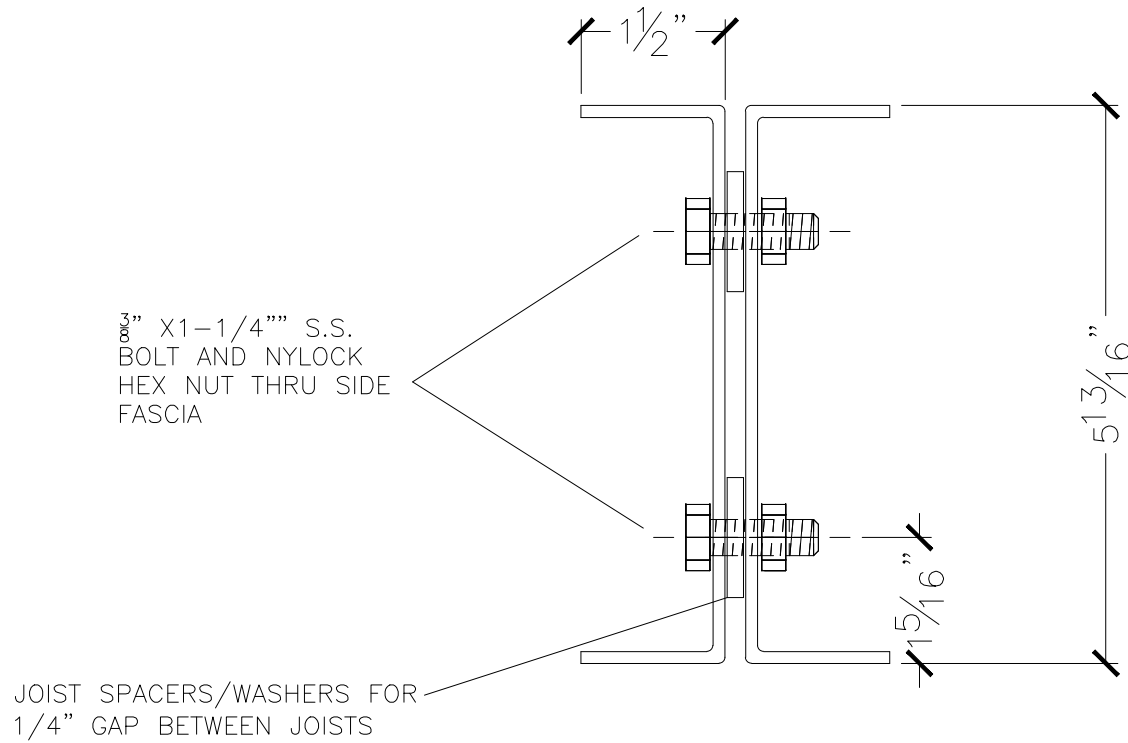


END JOIST PROFILE

CLIENT NAME		JOB NAME/P.O.#		APPROVED BY/ DATE:		Pre <sup>3</sup> Aluminum Sunshade System		AMERICAN STRUCTURES & DESIGN INC. 218 STEWART RD SE PACIFIC, WA 98047	
DWG#	SCALE	DATE	REV#	SALES REP.	DRAWN BY	PHONE	FAX #		
3	N/A	1. 19. 2015		MARK	J.V.	253 833-4343	253 833-4545		

Note: © This document has been developed and created by AS&D. Information contained herein cannot be used unless specifically permitted in writing by AS&D

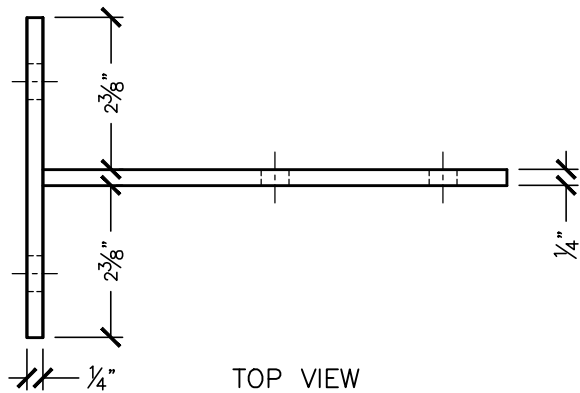
NOTES: 1. ALL WALLS ARE  
.125 IN THICK



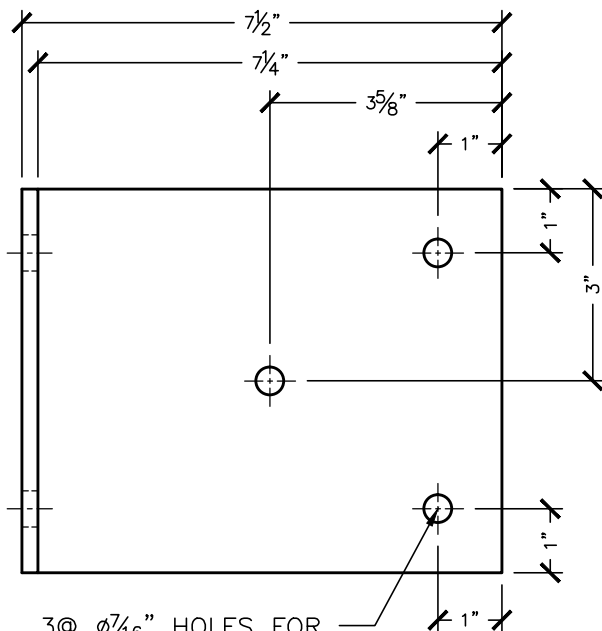
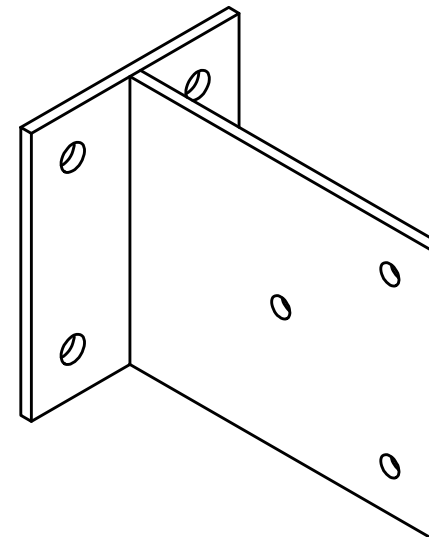
## INTERMEDIATE JOIST PROFILE

CLIENT NAME		JOB NAME/P.O.#		APPROVED BY/ DATE:		Pre <sup>3</sup> Aluminum Sunshade System		AMERICAN STRUCTURES & DESIGN INC. 218 STEWART RD SE PACIFIC, WA 98047	
DWG#	SCALE	DATE	REV#	SALES REP. MARK	DRAWN BY J.V.	http://americanstructures.com		PHONE	FAX #
4	N/A	1. 19. 2015						253 833-4343	253 833-4545

Note: © This document has been developed and created by AS&D. Information contained herein cannot be used unless specifically permitted in writing by AS&D

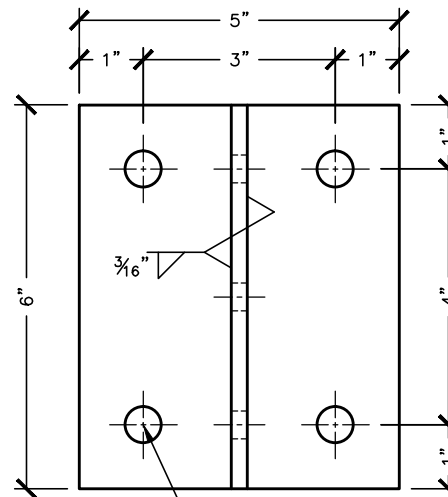


TOP VIEW



3@  $\phi 7/16$ " HOLES FOR  
 $\phi 3/8$ " x  $1/4$ " S.S. THRU BOLT  
 ATTACH WITH NYLOCK NUT  
 3@ EACH LOCATION

SIDE ELEVATION



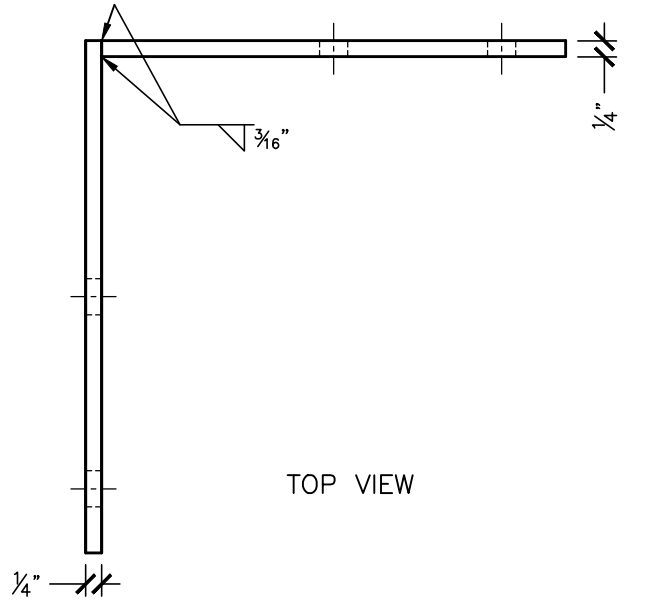
4@  $\phi 9/16$ " HOLES FOR  
 $\phi 1/2$ " x  $4 1/2$ " LAG OR  
 $\phi 1/2$ " x  $5 1/2$ " HILTI KWIK  
 BOLT TZ AT CONCRETE

FRONT ELEVATION

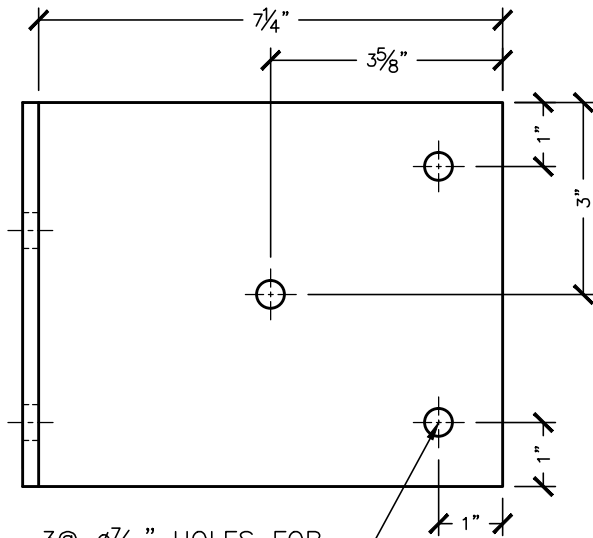
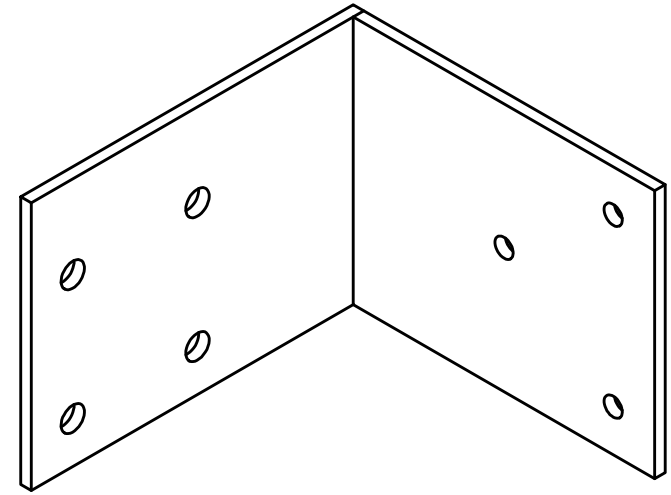
NOTE: KNIFE PLATES ARE FABRICATED  
 FROM A36 1/4" STEEL

CLIENT NAME		JOB NAME/P.O.#		APPROVED BY/ DATE:		<b>Pre<sup>3</sup> Aluminum Sunshade System</b>		AMERICAN STRUCTURES & DESIGN INC. 218 STEWART RD SE PACIFIC, WA 98047	
DWG#	SCALE	DATE	REV#	SALES REP. MARK	DRAWN BY J.V.	<a href="http://americanstructures.com">http://americanstructures.com</a>		PHONE	FAX #
5-1	N/A	1. 19. 2015						253 833-4343	253 833-4545

Note: © This document has been developed and created by AS&D. Information contained herein cannot be used unless specifically permitted in writing by AS&D

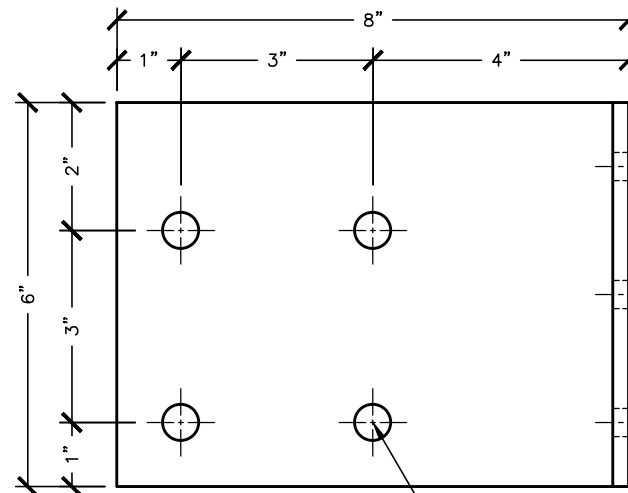


TOP VIEW



3@  $\phi 7/16$ " HOLES FOR  
 $\phi 3/8$ " x  $1 1/4$ " S.S. THRU BOLT  
 ATTACH WITH NYLOCK NUT  
 3@ EACH LOCATION

SIDE ELEVATION



4@  $\phi 9/16$ " HOLES FOR  
 $\phi 1/2$ " x  $4 1/2$ " LAG OR  
 $\phi 1/2$ " x  $5 1/2$ " HILTI KWIK  
 BOLT TZ AT CONCRETE

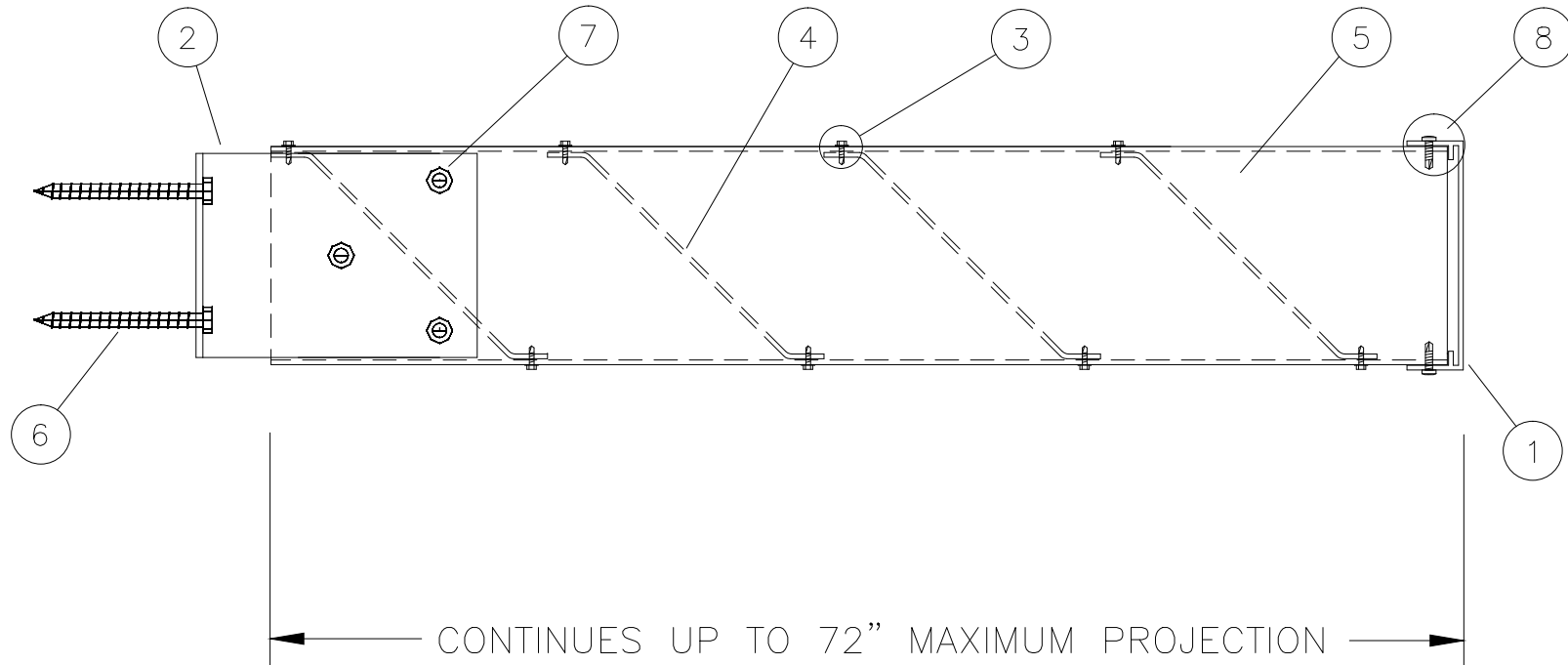
FRONT ELEVATION

NOTE: KNIFE PLATES ARE FABRICATED  
 FROM A36  $1 1/4$ " STEEL

CLIENT NAME		JOB NAME/P.O.#		APPROVED BY/ DATE:		Pre <sup>3</sup> Aluminum Sunshade System		AMERICAN STRUCTURES & DESIGN INC. 218 STEWART RD SE PACIFIC, WA 98047	
DWG#	SCALE	DATE	REV#	SALES REP. MARK	DRAWN BY J.V.	http://americanstructures.com	PHONE	FAX #	
5-2	N/A	1. 19. 2015					253 833-4343	253 833-4545	

Note: © This document has been developed and created by AS&D. Information contained herein cannot be used unless specifically permitted in writing by AS&D

1. FASCIA: 6-1/4"x1-1/2"x1/8" ALUMINUM CHANNEL SEE DRAWING DETAIL#2
2. KNIFE PLATE: SEE DRAWING DETAIL#5
3. #10x3/4" PAN HEAD SELF TAPPING SCREWS
4. SUNSHADE BLADE: SEE DRAWING DETAIL#7
5. END JOIST: 5 13/16"x1-1/2"x1/8" ALUMINUM CHANNEL SEE DRAWING DETAIL#3
6. 1/2"x4-1/2" LAGS (4) PER KNIFE PLATE OR 1/2"x 5-1/2" (4) HILTI KWIK BOLTS
7. 3/8"x1-1/4" S.S. BOLTS W/NYLOCK HEX NUT
8. #10x1" PAN HEAD SELF TAPPING SCREWS

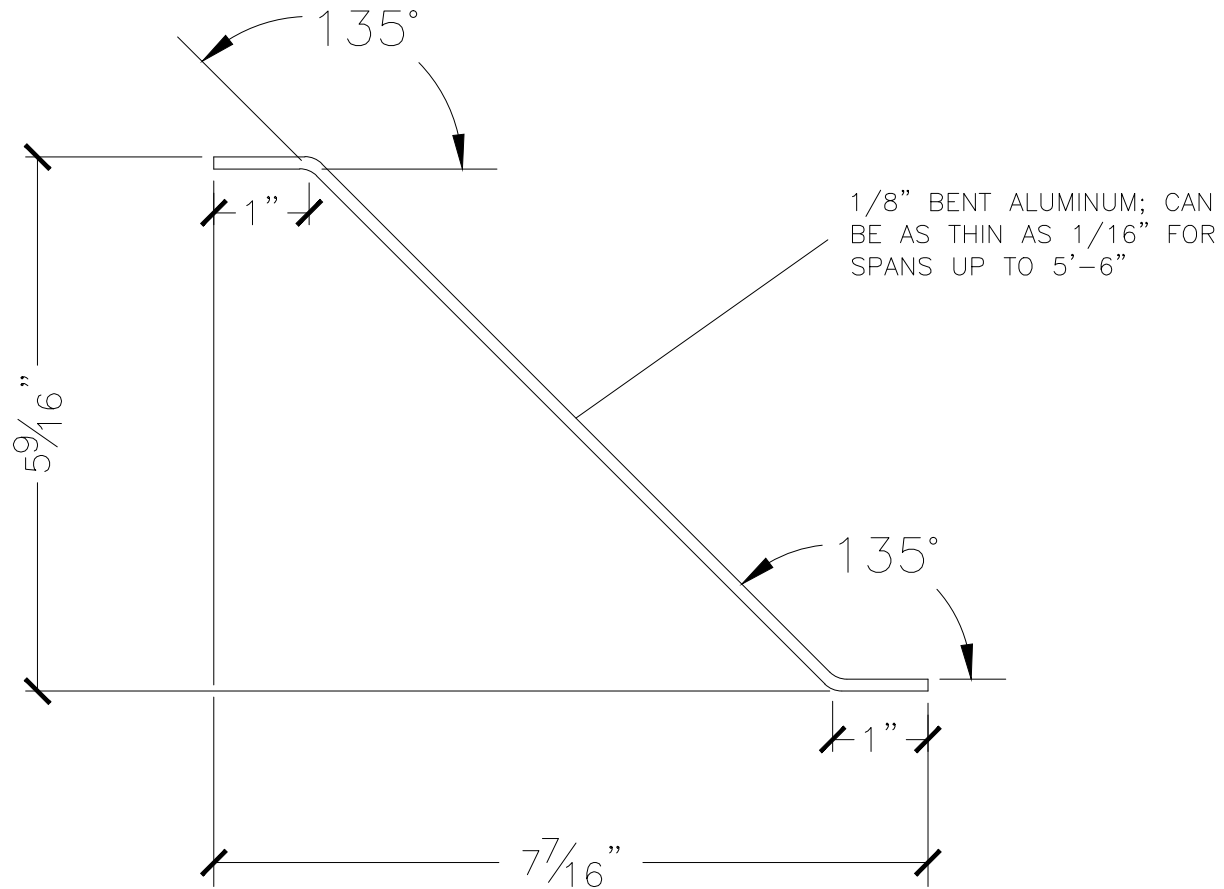


SIDE ELEVATION VIEW

CLIENT NAME		JOB NAME/P.O.#		APPROVED BY/ DATE:		Pre <sup>3</sup> Aluminum Sunshade System		AMERICAN STRUCTURES & DESIGN INC. 218 STEWART RD SE PACIFIC, WA 98047	
DWG#	SCALE	DATE	REV#	SALES REP. MARK	DRAWN BY	PHONE	FAX #		
6	N/A	1. 19. 2015			J.V.	253 833-4343	253 833-4545	<a href="http://americanstructures.com">http://americanstructures.com</a>	

Note: © This document has been developed and created by AS&D. Information contained herein cannot be used unless specifically permitted in writing by AS&D

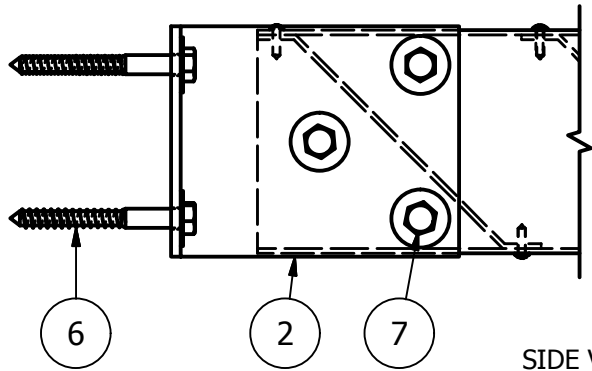
NOTES: 1. ALL WALLS ARE  
.125 IN THICK



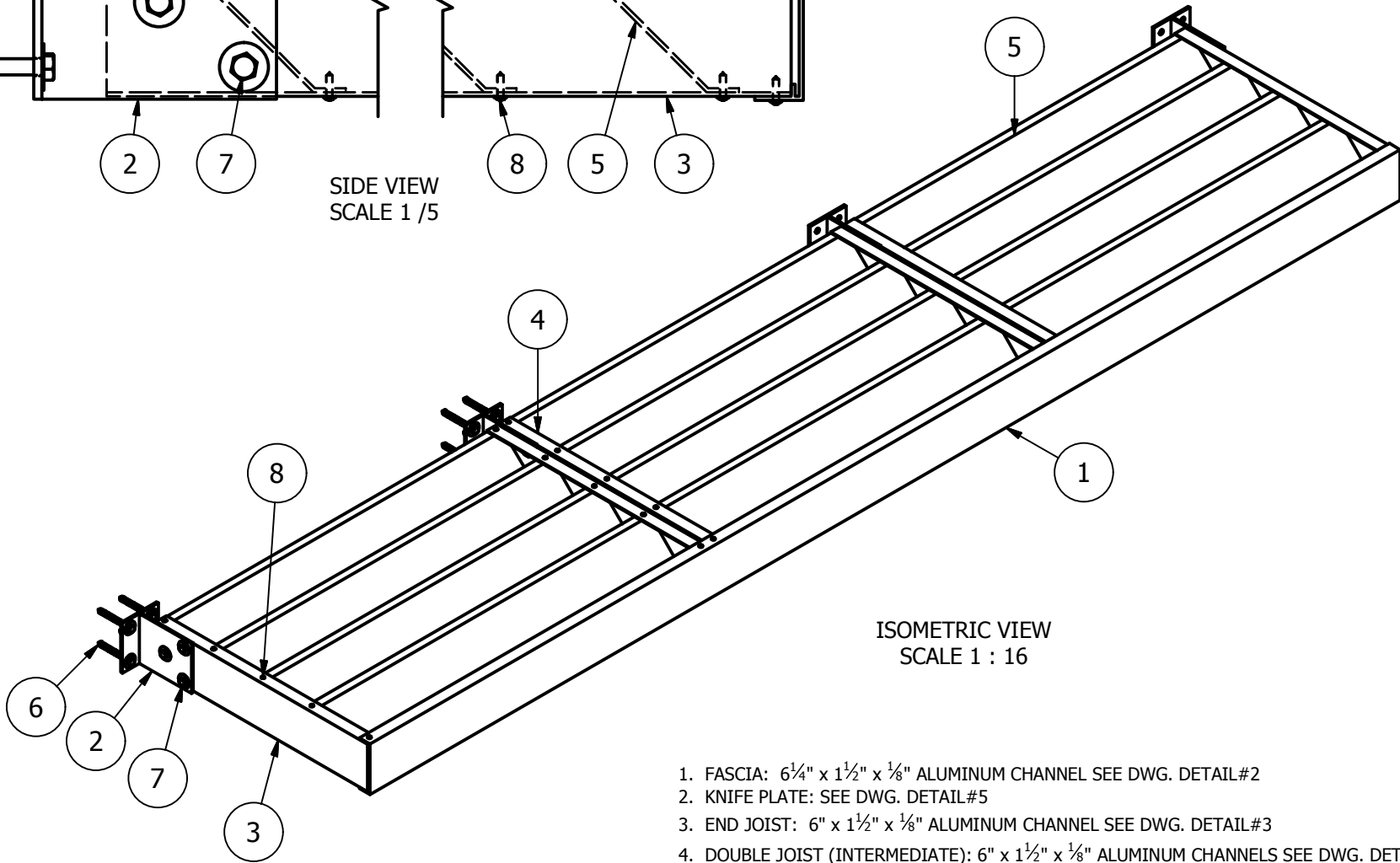
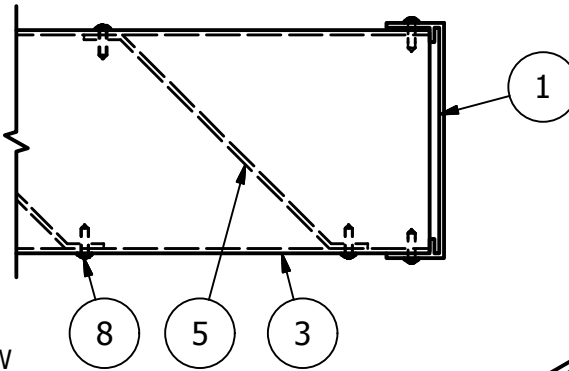
CLIENT NAME		JOB NAME/P.O.#		APPROVED BY/ DATE:		Pre <sup>3</sup> Aluminum Sunshade System		AMERICAN STRUCTURES & DESIGN INC. 218 STEWART RD SE PACIFIC, WA 98047	
DWG#	SCALE	DATE	REV#	SALES REP. MARK	DRAWN BY J.V.	<a href="http://americanstructures.com">http://americanstructures.com</a>	PHONE	FAX #	
7	N/A	1. 19. 2015					253 833-4343	253 833-4545	

Note: © This document has been developed and created by AS&D. Information contained herein cannot be used unless specifically permitted in writing by AS&D





SIDE VIEW  
SCALE 1 / 5

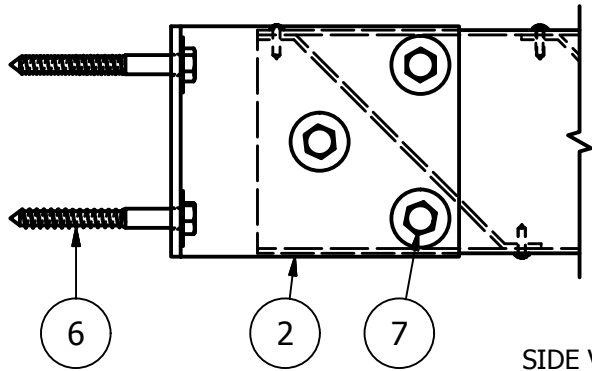


ISOMETRIC VIEW  
SCALE 1 : 16

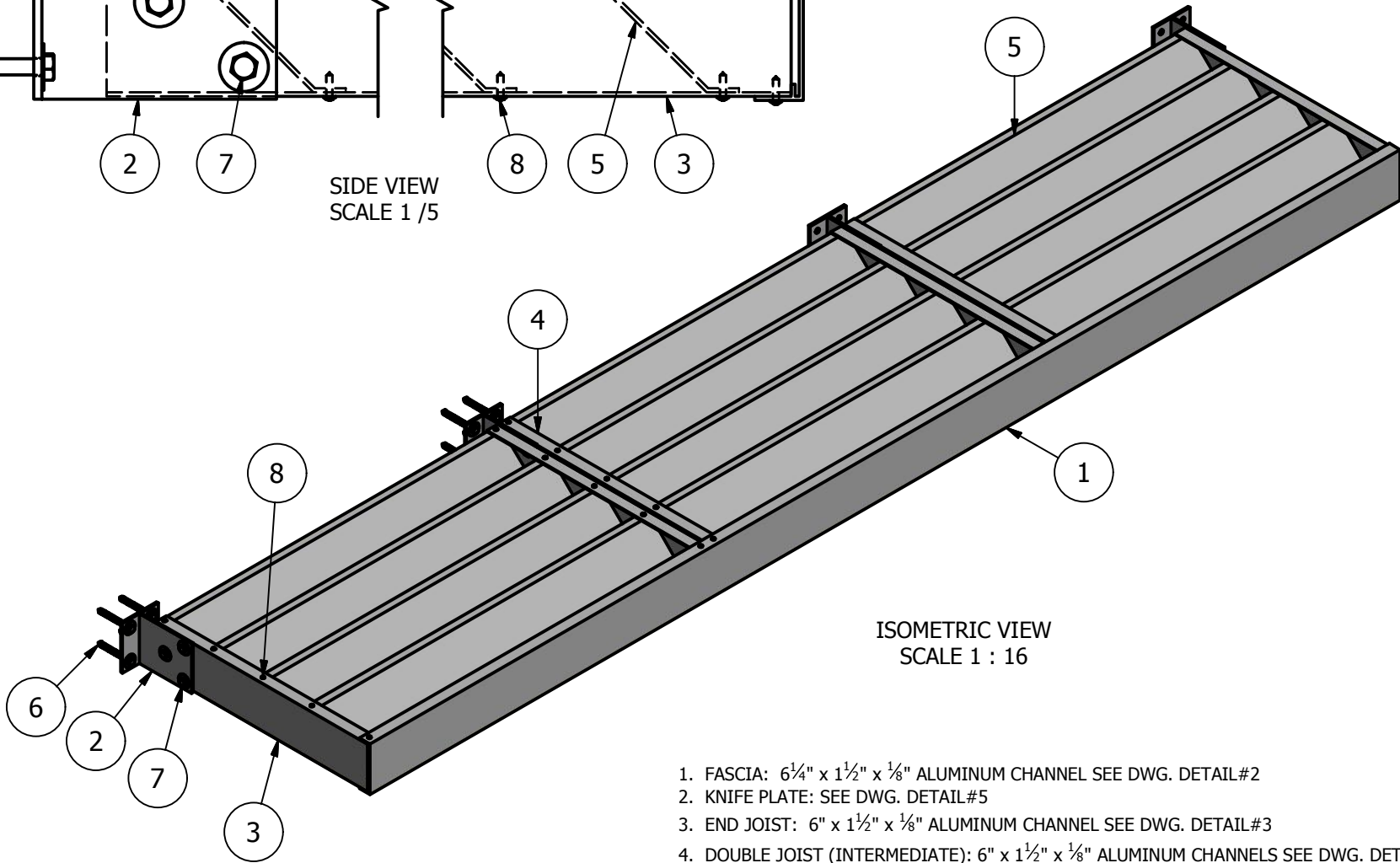
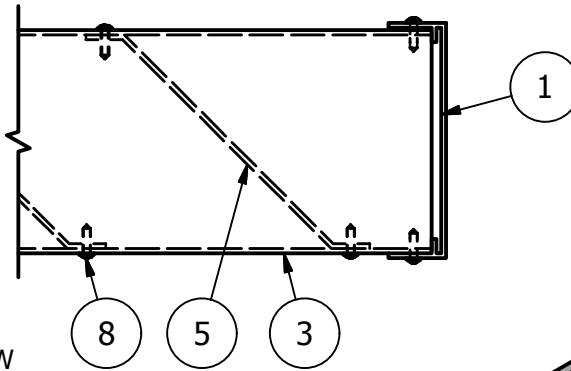
1. FASCIA: 6 $\frac{1}{4}$ " x 1 $\frac{1}{2}$ " x  $\frac{1}{8}$ " ALUMINUM CHANNEL SEE DWG. DETAIL#2
2. KNIFE PLATE: SEE DWG. DETAIL#5
3. END JOIST: 6" x 1 $\frac{1}{2}$ " x  $\frac{1}{8}$ " ALUMINUM CHANNEL SEE DWG. DETAIL#3
4. DOUBLE JOIST (INTERMEDIATE): 6" x 1 $\frac{1}{2}$ " x  $\frac{1}{8}$ " ALUMINUM CHANNELS SEE DWG. DETAIL#4
5. SUNSHADE BLADE: SEE DWG. DETAIL#7
6.  $\phi\frac{1}{2}$ " x 4 $\frac{1}{2}$ " LAG (4) OR  $\phi\frac{1}{2}$ " x 5 $\frac{1}{2}$ " HILTI KWIK BOLT (4) PER KNIFE PLATE
7.  $\phi\frac{3}{8}$ " x 1 $\frac{1}{4}$ " S.S. BOLT AND NYLOCK HEX NUT (3) TYPICAL
8. #10 x  $\frac{3}{4}$ " PAN HEAD SELF TAPPING SCREWS

CLIENT NAME		JOB NAME/P.O.#		APPROVED BY/ DATE:		AMERICAN STRUCTURES & DESIGN INC.	
8-1		Pre3 SUNSHADE				218 STEWART RD SE PACIFIC, WA 98047	
DWG#	SCALE	DATE	REV#	SALES REP. MARK	DRAWN BY	PHONE	FAX #
8-1	1 : 16	1. 19. 2015			J.V.	253 833-4343	253 833-4545
						<a href="http://americanstructures.com">http://americanstructures.com</a>	

Note: © This document has been developed and created by AS&D. Information contained herein cannot be used unless specifically permitted in writing by AS&D



SIDE VIEW  
SCALE 1 / 5

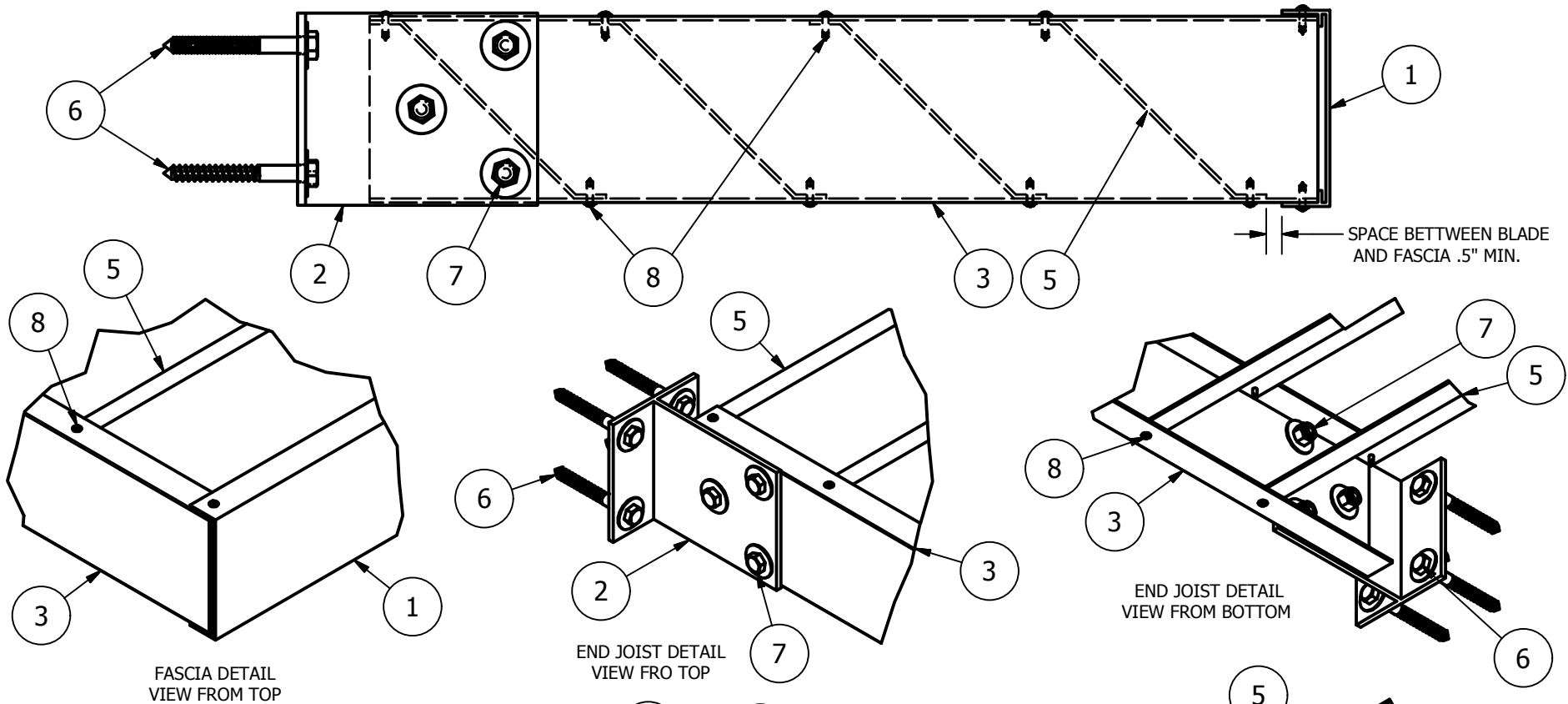


ISOMETRIC VIEW  
SCALE 1 : 16

1. FASCIA: 6 $\frac{1}{4}$ " x 1 $\frac{1}{2}$ " x  $\frac{1}{8}$ " ALUMINUM CHANNEL SEE DWG. DETAIL#2
2. KNIFE PLATE: SEE DWG. DETAIL#5
3. END JOIST: 6" x 1 $\frac{1}{2}$ " x  $\frac{1}{8}$ " ALUMINUM CHANNEL SEE DWG. DETAIL#3
4. DOUBLE JOIST (INTERMEDIATE): 6" x 1 $\frac{1}{2}$ " x  $\frac{1}{8}$ " ALUMINUM CHANNELS SEE DWG. DETAIL#4
5. SUNSHADE BLADE: SEE DWG. DETAIL#7
6.  $\phi\frac{1}{2}$ " x 4 $\frac{1}{2}$ " LAG (4) OR  $\phi\frac{1}{2}$ " x 5 $\frac{1}{2}$ " HILTI KWIK BOLT (4) PER KNIFE PLATE
7.  $\phi\frac{3}{8}$ " x 1 $\frac{1}{4}$ " S.S. BOLT AND NYLOCK HEX NUT (3) TYPICAL
8. #10 x  $\frac{3}{4}$ " PAN HEAD SELF TAPPING SCREWS

CLIENT NAME		JOB NAME/P.O.#		APPROVED BY/ DATE:		AMERICAN STRUCTURES & DESIGN INC.	
8-2		Pre3 SUNSHADE				218 STEWART RD SE PACIFIC, WA 98047	
DWG#	SCALE	DATE	REV#	SALES REP. MARK	DRAWN BY	PHONE	FAX #
8-2	1 : 16	1. 19. 2015			J.V.	253 833-4343	253 833-4545
						<a href="http://americanstructures.com">http://americanstructures.com</a>	

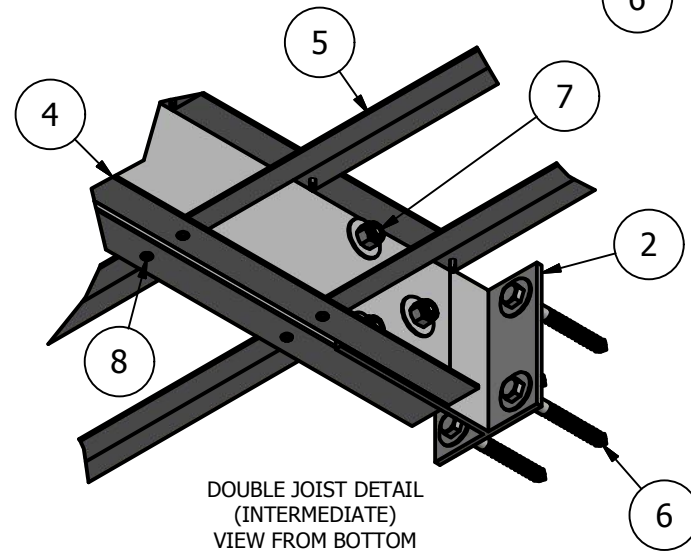
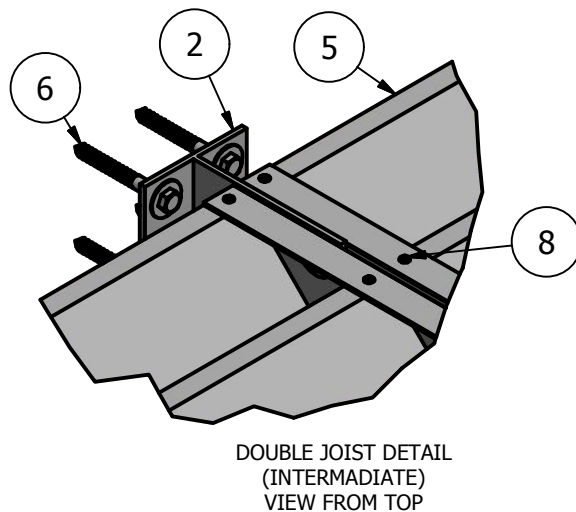
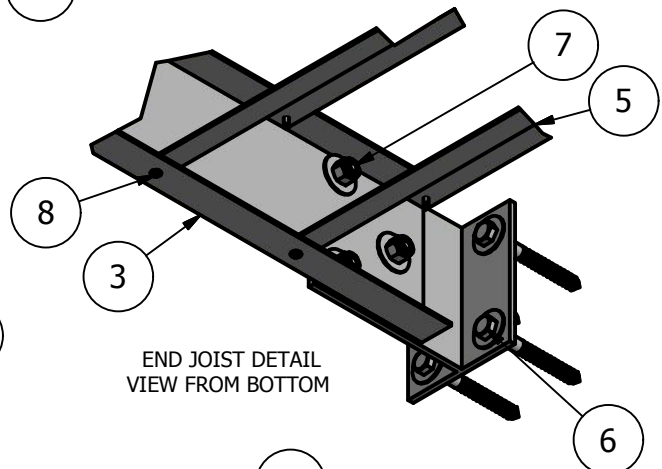
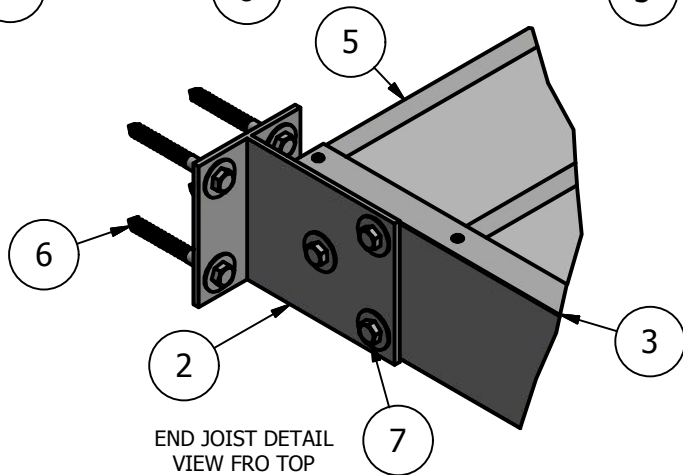
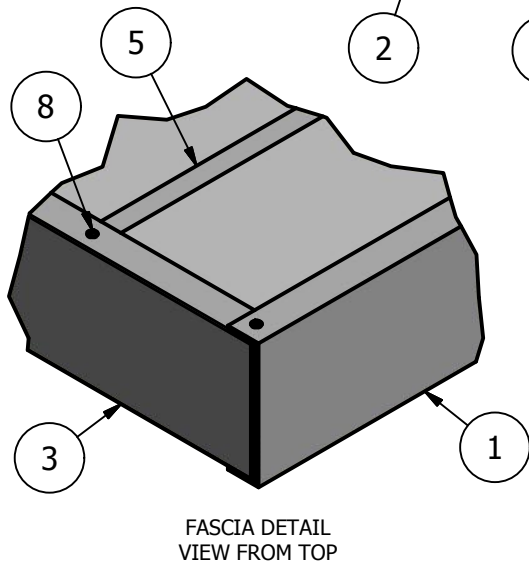
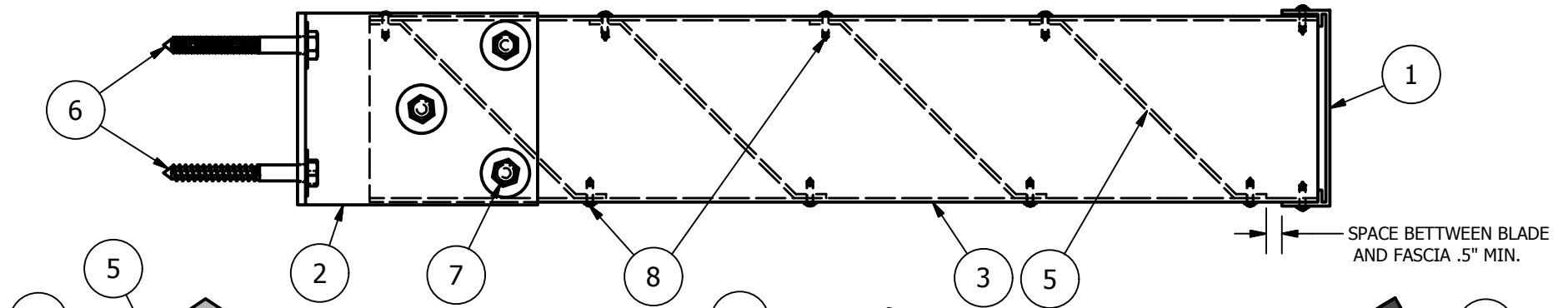
Note: © This document has been developed and created by AS&D. Information contained herein cannot be used unless specifically permitted in writing by AS&D



1. FASCIA:  $6\frac{1}{4}$ " x  $1\frac{1}{2}$ " x  $\frac{1}{8}$ " ALUMINUM CHANNEL SEE DWG. DETAIL#2
2. KNIFE PLATE: SEE DWG. DETAIL#5
3. END JOIST:  $6$ " x  $1\frac{1}{2}$ " x  $\frac{1}{8}$ " ALUMINUM CHANNEL SEE DWG. DETAIL#3
4. DOUBLE JOIST (INTERMEDIATE):  $6$ " x  $1\frac{1}{2}$ " x  $\frac{1}{8}$ " ALUMINUM CHANNELS SEE DWG. DETAIL#4
5. SUNSHADE BLADE: SEE DWG. DETAIL#7
6.  $\phi\frac{1}{2}$ " x  $4\frac{1}{2}$ " LAG (4) OR  $\phi\frac{1}{2}$ " x  $5\frac{1}{2}$ " HILTI KWIK BOLT (4) PER KNIFE PLATE
7.  $\phi\frac{3}{8}$ " x  $1\frac{1}{4}$ " S.S. BOLT AND NYLOCK HEX NUT (3) TYPICAL
8. #10 x  $\frac{3}{4}$ " PAN HEAD SELF TAPPING SCREWS

CLIENT NAME		JOB NAME/P.O.#		APPROVED BY/ DATE:		<b>Pre3 SUNSHADE DETAILS</b>		AMERICAN STRUCTURES & DESIGN INC. 218 STEWART RD SE PACIFIC, WA 98047	
DWG#	SCALE	DATE	REV#	SALES REP. MARK	DRAWN BY	PHONE	FAX #		
9-2	1 : 20	1. 19. 2015	1		J.V.	253 833-4343	253 833-4545		

Note: © This document has been developed and created by AS&D. Information contained herein cannot be used unless specifically permitted in writing by AS&D



1. FASCIA: 6 $\frac{1}{4}$ " x 1 $\frac{1}{2}$ " x  $\frac{1}{8}$ " ALUMINUM CHANNEL SEE DWG. DETAIL#2
2. KNIFE PLATE: SEE DWG. DETAIL#5
3. END JOIST: 6" x 1 $\frac{1}{2}$ " x  $\frac{1}{8}$ " ALUMINUM CHANNEL SEE DWG. DETAIL#3
4. DOUBLE JOIST (INTERMEDIATE): 6" x 1 $\frac{1}{2}$ " x  $\frac{1}{8}$ " ALUMINUM CHANNELS SEE DWG. DETAIL#4
5. SUNSHADE BLADE: SEE DWG. DETAIL#7
6.  $\phi$ 1 $\frac{1}{2}$ " x 4 $\frac{1}{2}$ " LAG (4) OR  $\phi$ 1 $\frac{1}{2}$ " x 5 $\frac{1}{2}$ " HILTI KWIK BOLT (4) PER KNIFE PLATE
7.  $\phi$ 3 $\frac{3}{8}$ " x 1 $\frac{1}{4}$ " S.S. BOLT AND NYLOCK HEX NUT (3) TYPICAL
8. #10 x  $\frac{3}{4}$ " PAN HEAD SELF TAPPING SCREWS

CLIENT NAME		JOB NAME/P.O.#		APPROVED BY/ DATE:		<b>Pre3 SUNSHADE DETAILS</b>		AMERICAN STRUCTURES & DESIGN INC. 218 STEWART RD SE PACIFIC, WA 98047	
DWG#	SCALE	DATE	REV#	SALES REP. MARK	DRAWN BY	PHONE	FAX #		
9-2	1 : 20	1. 19. 2015	1		J.V.	253 833-4343	253 833-4545	<a href="http://americanstructures.com">http://americanstructures.com</a>	

Note: © This document has been developed and created by AS&D. Information contained herein cannot be used unless specifically permitted in writing by AS&D