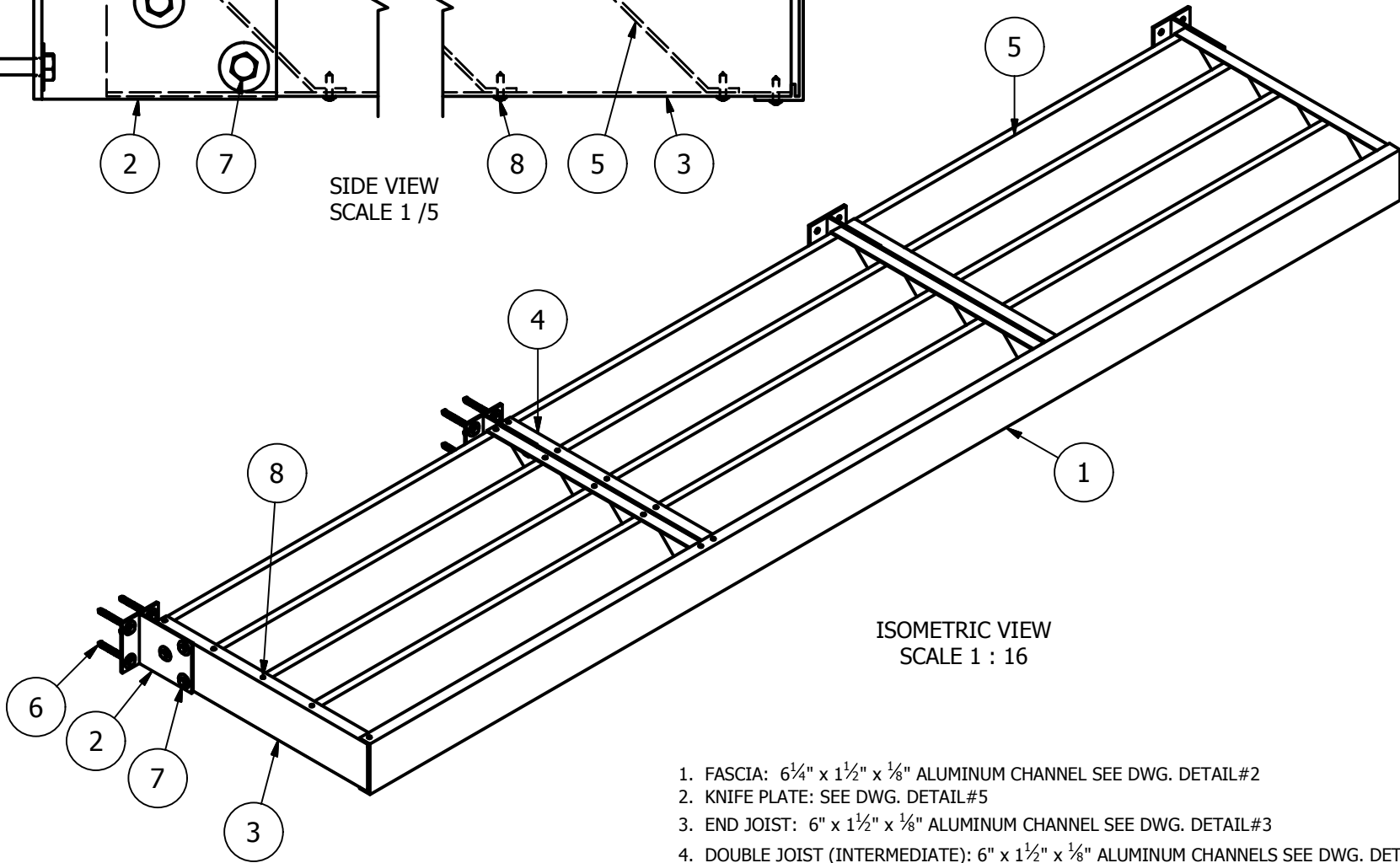
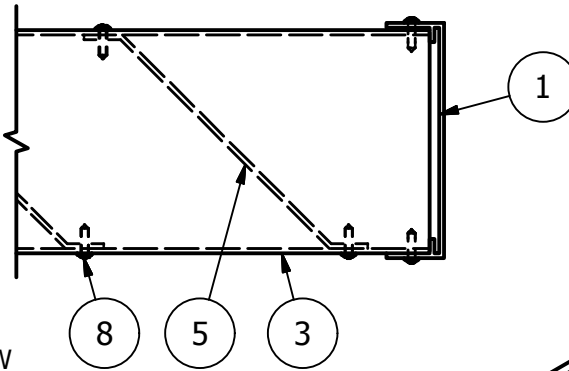


SIDE VIEW
SCALE 1 / 5



ISOMETRIC VIEW
SCALE 1 : 16

1. FASCIA: 6 $\frac{1}{4}$ " x 1 $\frac{1}{2}$ " x $\frac{1}{8}$ " ALUMINUM CHANNEL SEE DWG. DETAIL#2
2. KNIFE PLATE: SEE DWG. DETAIL#5
3. END JOIST: 6" x 1 $\frac{1}{2}$ " x $\frac{1}{8}$ " ALUMINUM CHANNEL SEE DWG. DETAIL#3
4. DOUBLE JOIST (INTERMEDIATE): 6" x 1 $\frac{1}{2}$ " x $\frac{1}{8}$ " ALUMINUM CHANNELS SEE DWG. DETAIL#4
5. SUNSHADE BLADE: SEE DWG. DETAIL#7
6. $\phi\frac{1}{2}$ " x 4 $\frac{1}{2}$ " LAG (4) OR $\phi\frac{1}{2}$ " x 5 $\frac{1}{2}$ " HILTI KWIK BOLT (4) PER KNIFE PLATE
7. $\phi\frac{3}{8}$ " x 1 $\frac{1}{4}$ " S.S. BOLT AND NYLOCK HEX NUT (3) TYPICAL
8. #10 x $\frac{3}{4}$ " PAN HEAD SELF TAPPING SCREWS

CLIENT NAME		JOB NAME/P.O.#		APPROVED BY/ DATE:		AMERICAN STRUCTURES & DESIGN INC.	
8-1		Pre3 SUNSHADE				218 STEWART RD SE PACIFIC, WA 98047	
DWG#	SCALE	DATE	REV#	SALES REP. MARK	DRAWN BY	PHONE	FAX #
8-1	1 : 16	1. 19. 2015			J.V.	253 833-4343	253 833-4545

Note: © This document has been developed and created by AS&D. Information contained herein cannot be used unless specifically permitted in writing by AS&D