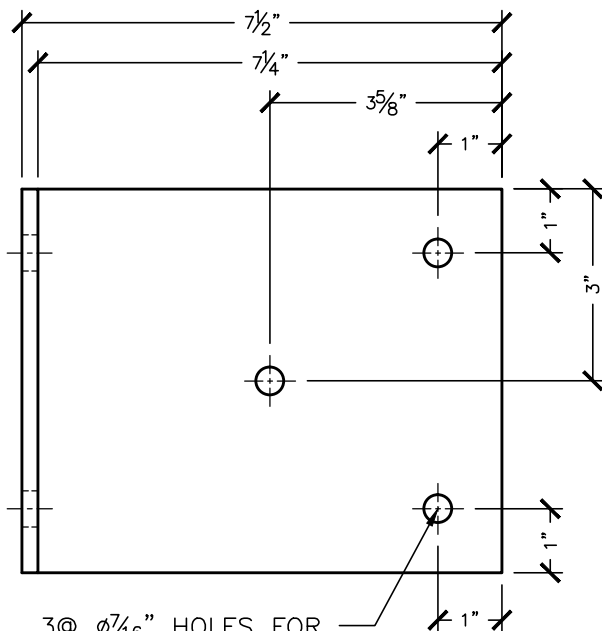
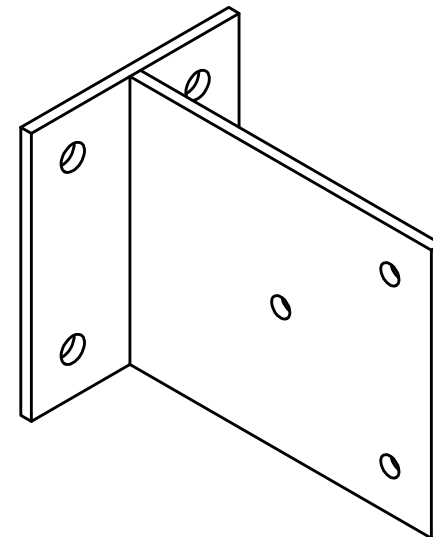
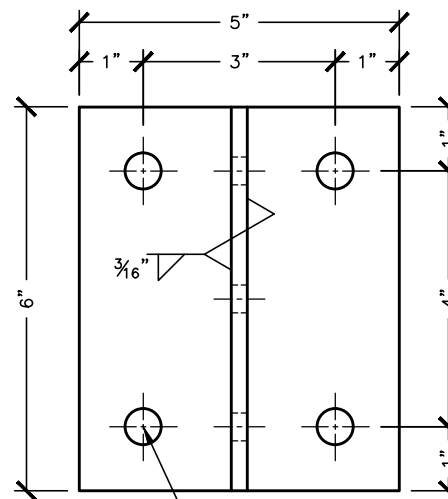


TOP VIEW



3@  $\phi 7/16$ " HOLES FOR  
 $\phi 3/8$ " x  $1/4$ " S.S. THRU BOLT  
 ATTACH WITH NYLOCK NUT  
 3@ EACH LOCATION

SIDE ELEVATION



4@  $\phi 9/16$ " HOLES FOR  
 $\phi 1/2$ " x  $4 1/2$ " LAG OR  
 $\phi 1/2$ " x  $5 1/2$ " HILTI KWIK  
 BOLT TZ AT CONCRETE

FRONT ELEVATION

NOTE: KNIFE PLATES ARE FABRICATED  
 FROM A36 1/4" STEEL

CLIENT NAME		JOB NAME/P.O.#		APPROVED BY/ DATE:		<b>Pre<sup>3</sup> Aluminum Sunshade System</b>		AMERICAN STRUCTURES & DESIGN INC. 218 STEWART RD SE PACIFIC, WA 98047	
DWG#	SCALE	DATE	REV#	SALES REP. MARK	DRAWN BY J.V.	http://americanstructures.com	PHONE	FAX #	
5-1	N/A	1. 19. 2015					253 833-4343	253 833-4545	

Note: © This document has been developed and created by AS&D. Information contained herein cannot be used unless specifically permitted in writing by AS&D