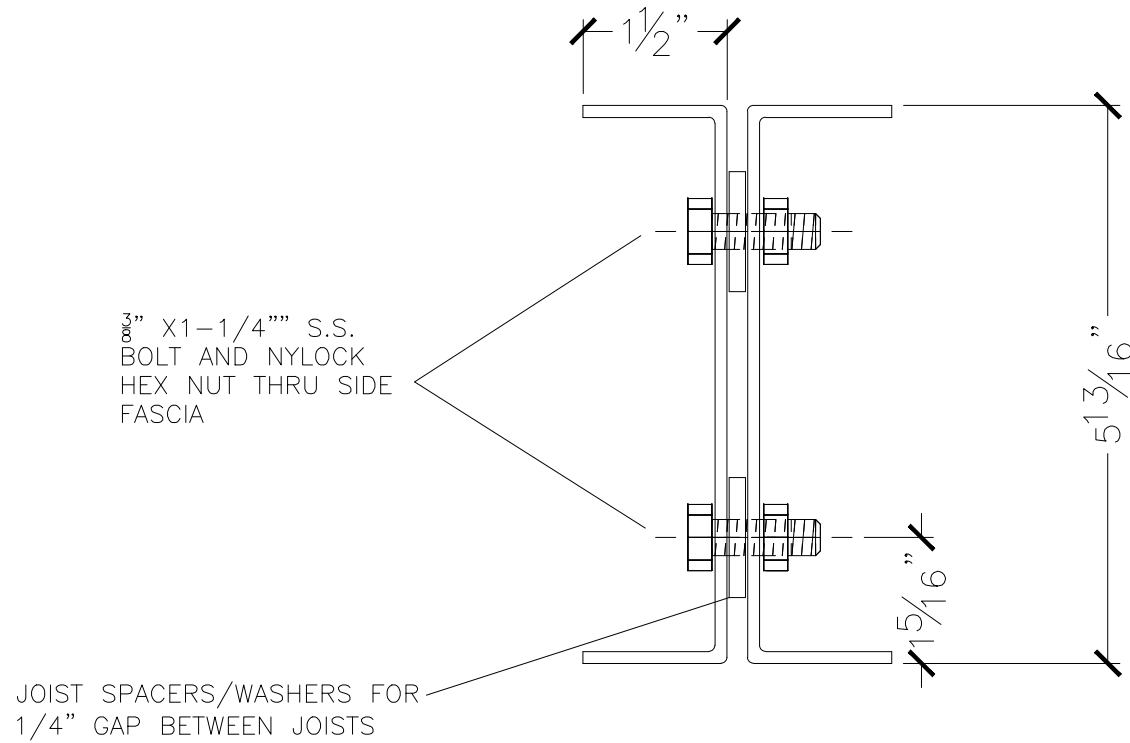


NOTES: 1. ALL WALLS ARE
.125 IN THICK



INTERMEDIATE JOIST PROFILE

CLIENT NAME		JOB NAME/P.O.#		APPROVED BY/ DATE:		Pre ³ Aluminum Sunshade System		AMERICAN STRUCTURES & DESIGN INC. 218 STEWART RD SE PACIFIC, WA 98047	
DWG#	SCALE	DATE	REV#	SALES REP. MARK	DRAWN BY J.V.	PHONE	FAX #		
4	N/A	1. 19. 2015				253 833-4343	253 833-4545	http://americanstructures.com	

Note: © This document has been developed and created by AS&D. Information contained herein cannot be used unless specifically permitted in writing by AS&D